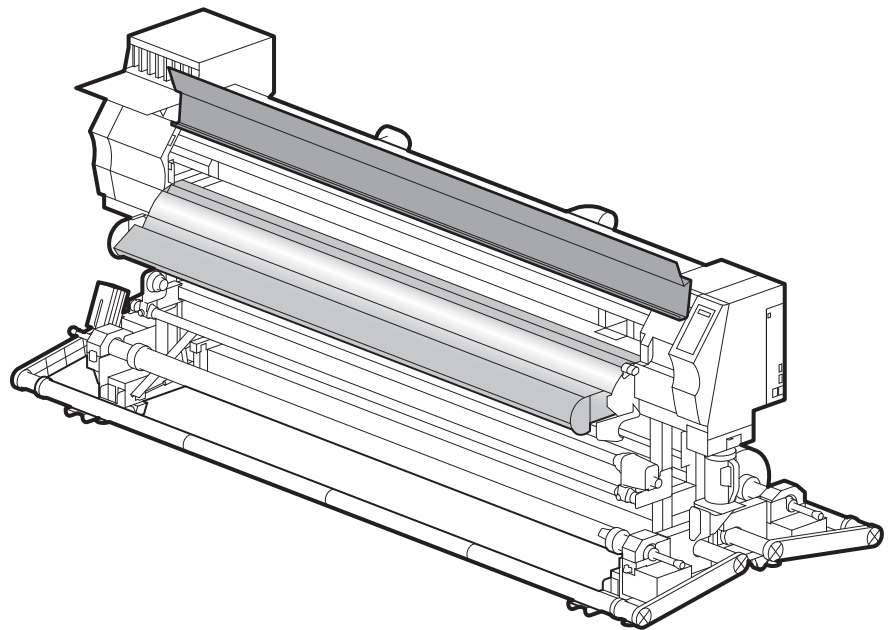


**COLOR INKJET PRINTER**

***JV33-260BS***

**OPERATION MANUAL**

**OPERATION MANUAL**



**MIMAKI ENGINEERING CO., LTD.**

URL: <http://www.mimaki.co.jp/>

D202018-14

# TABLE OF CONTENTS

---

CAUTION .....	vii
DISCLAIMER OF WARRANTY .....	vii
Requests .....	vii
FCC Statement (USA) .....	vii
Interference to televisions and radios .....	vii
Foreword .....	viii
On This Operation manual .....	viii
Safety Precautions .....	ix
Symbols .....	ix

## CHAPTER 1 Before Use

Moving this machine .....	1-2
Where to install this machine .....	1-2
Working environmental temperature .....	1-2
Moving this machine .....	1-3
Names of Parts and Functions .....	1-4
Front .....	1-4
Rear / Sides .....	1-5
Operation Panel .....	1-6
Heater .....	1-7
Media sensor .....	1-7
Carriage .....	1-8
Cutter blade and slot for cutting .....	1-8
Capping station .....	1-9
Pinch rollers and Feed rollers .....	1-9
Connecting cables .....	1-10
Connecting USB2.0 interface cable .....	1-10
Connecting the power cable .....	1-11
Inserting ink cartridges .....	1-12
Caution in handling of ink cartridges .....	1-13
Media .....	1-14
Usable sizes of media .....	1-14
Caution in handling of medias .....	1-14
Menu mode .....	1-15

## CHAPTER 2 Basic Operations

User type .....	2-2
Set items registrable to User type .....	2-2
Using the registered user type .....	2-2
Workflow .....	2-3
Turning the power ON/OFF .....	2-4
Turning the power ON .....	2-4
Turning the power OFF .....	2-5
Setting medias .....	2-6
Adjusting the head height .....	2-6
Note for media setting .....	2-8
Setting a heavy-duty roll media .....	2-9
Setting a narrow roll media .....	2-20
Narrow take-up device .....	2-25
Setting leaf media .....	2-26
Changing the printing origin .....	2-28
Preparing Heaters .....	2-30
Changing temperature settings of Heater .....	2-30
Confirming the Heater temperature .....	2-31
Test printing .....	2-32
Test printing .....	2-32
Head cleaning .....	2-33
Drawing data .....	2-34
Starting the print .....	2-34
Stopping the print temporarily .....	2-35
Erasing the received data (Data clear) .....	2-35
Cutting a media .....	2-36

## CHAPTER 3 Convenient use

User type .....	3-2
Registering the drawing conditions together (Type registration) .....	3-2
Registering Type .....	3-2
Setting media compensation .....	3-5
Setting media compensation .....	3-5
Changing the set value of Heater .....	3-8
Changing temperature settings of Heater .....	3-8
Adjusting suitable temperature adjustment .....	3-10
In case the heater temperature is too low .....	3-11

Setting print mode .....	3-12
Setting of the print quality .....	3-12
Setting scanning direction .....	3-14
Setting Logical-seek .....	3-15
Setting drying time .....	3-16
Setting margins .....	3-17
Setting Priority .....	3-18
Setting Auto cleaning .....	3-19
Setting cleaning while printing .....	3-21
Setting media detection .....	3-22
Other settings .....	3-23
Initializing the settings .....	3-25
Machine settings .....	3-26
Setting the deodorize fan .....	3-27
Perform setting of feeding and take up .....	3-28
Setting Dryness feeding .....	3-30
Setting Stamp .....	3-31
When using 600 cc cartridge (firmware Ver.3.10 or older ) .....	3-32
When using 600 cc cartridge (firmware Ver.3.20 or later) .....	3-38
Setting Test draw arrange .....	3-45
Change the operation condition of the room temperature .....	3-46
Setting confirmation feeding .....	3-47
Setting time .....	3-48
Setting Unit .....	3-49
Setting Machine name .....	3-50
Setting Key buzzer .....	3-51
Extension of Ink Expiry Month .....	3-52
Extension of Ink Expiry Month .....	3-52
Switch Setting of Ink Supply Path .....	3-54
Confirming machine information .....	3-56
Displaying Information .....	3-56



---

## CHAPTER 4 Double Sided Printing

Printing on Double Side .....	4-2
Workflow of double sided printing .....	4-2
Printing Area for double sided printing .....	4-3
Printing on Front Side .....	4-5
Setting the Double Side Mode .....	4-8
Printing on Back Side .....	4-10

## CHAPTER 5 Routine Maintenance

Maintaining .....	5-2
Precautions in cleaning .....	5-2
Notes on cleaning solution .....	5-2
Cleaning exterior surfaces .....	5-3
Cleaning the platen .....	5-3
Cleaning of after heater cover and pre heater cover ...	5-3
Cleaning the media sensor .....	5-4
Cleaning the media press .....	5-4
Maintaining Capping station .....	5-5
Cleaning the wiper and ink caps .....	5-5
Replacing the wiper .....	5-7
Before washing ink discharge passage .....	5-8
Washing of Head nozzle .....	5-10
Cleaning the ink discharge passage (PUMP TUBE WASH) .....	5-12
When not using for a long term (CUSTODY WASH) (firmware Ver.3.20 or older) .....	5-14
When not using for a long term (firmware Ver. 3.30 or later) .....	5-16
Cleaning heads and surroundings parts .....	5-19
When Nozzle clogged after cleaning .....	5-21
Filling up ink .....	5-21
DISCHARGE & WASH .....	5-22
Initial ink fill up .....	5-24
If dots misalign .....	5-26
Preventing nozzle clogging while power-off .....	5-27
Setting refreshing interval in Sleep mode .....	5-27
Setting tube washing interval in Sleep mode .....	5-28
Setting cleaning interval in Sleep mode .....	5-29

Setting Routine operations .....	5-30
Setting Routine wiping operations in Standby mode .....	5-30
Setting Refreshing interval in Standby mode .....	5-32
Setting Pump tube washing interval in Standby mode .....	5-33
Setting Cleaning interval in Standby mode .....	5-34
Other maintenance functions .....	5-35
Changing the warning time of wiper replacement .....	5-35
Setting the media remaining display .....	5-36
If Waste ink tank confirming message is displayed .....	5-38
Replacing the cutter blade .....	5-42

## **CHAPTER 6 Troubleshooting**

Troubleshooting .....	6-2
Power does not turn on .....	6-2
The machine does not start printing .....	6-2
Media get jammed / media is soiled .....	6-3
[HEAT] or [CONSTANT] LED does not light up .....	6-3
Image quality is poor .....	6-4
Nozzle is clogged .....	6-4
Ink cartridge warning appears .....	6-5
Warning / Error Messages .....	6-6
Warning messages .....	6-6
Error messages .....	6-10

## **CHAPTER 7 Appendix**

Machine specifications .....	7-2
Ink specifications .....	7-4
Sheet for inquiry .....	7-5
Warning labels .....	7-6
Function Flowchart .....	7-8



## DISCLAIMER OF WARRANTY

THIS LIMITED WARRANTY OF MIMAKI SHALL BE THE SOLE AND EXCLUSIVE WARRANTY AND IS IN LIEU OF ALL OTHER WARRANTIES, EXPRESS OR IMPLIED, INCLUDING, BUT NOT LIMITED TO, ANY IMPLIED WARRANTY OF MERCHANTABILITY OR FITNESS, AND MIMAKI NEITHER ASSUMES NOR AUTHORIZES DEALER TO ASSUME FOR IT ANY OTHER OBLIGATION OR LIABILITY OR MAKE ANY OTHER WARRANTY OR MAKE ANY OTHER WARRANTY IN CONNECTION WITH ANY PRODUCT WITHOUT MIMAKI'S PRIOR WRITTEN CONSENT.

IN NO EVENT SHALL MIMAKI BE LIABLE FOR SPECIAL, INCIDENTAL OR CONSEQUENTIAL DAMAGES OR FOR LOSS OF PROFITS OF DEALER OR CUSTOMERS OF ANY PRODUCT.

## Requests

- This Operation manual has been carefully prepared for your easy understanding. However, please do not hesitate to contact a distributor in your district or our office if you have any inquiry.
- Description contained in this Operation manual are subject to change without notice for improvement.

## FCC Statement (USA)

This equipment has been tested and found to comply with the limits for a Class A digital device, pursuant to Part 15 of the FCC Rules. These limits are designed to provide reasonable protection against harmful interference when the equipment is operated in a commercial environment. This equipment generates, uses and can radiate radio frequency energy and, if not installed and used in accordance with the Operation manual, may cause harmful interference to radio communications.

Operation of this equipment in a residential area is likely to cause harmful interference in which case the user will be required to correct the interference at his own expense.

In the case where MIMAKI-recommended cable is not used for connection of this device, limits provided by FCC rules can be exceeded.

To prevent this, use of MIMAKI-recommended cable is essential for the connection of this printer.

## Interference to televisions and radios

The product described in this manual generates high frequency when operating.

The product can interfere with radios and televisions if set up or commissioned under improper conditions.

The product is not guaranteed against any damage to specific-purpose radio and televisions.

The product's interference with your radio or television will be checked by turning on/off the power switch of the product.

In the event that the product is the cause of interference, try to eliminate it by taking one of the following corrective measures or taking some of them in combination.

- Change the orientation of the antenna of the television set or radio to find a position without reception difficulty.
- Separate the television set or radio from this product.
- Plug the power cord of this product into an outlet which is isolated from power circuits connected to the television set or radio.

# Foreword

Congratulations on your purchase of MIMAKI color ink jet printer "JV33-260BS" .

The JV33-260BS is a color ink-jet printer for high quality printing with solvent ink (4-color/ 6-color).

- 4-colors version : 2 each of Cyan, Magenta, Yellow and Black color ink cartridge are useable.

## On This Operation manual












- This Operation manual is describing the operations and maintenance of "Color inkjet printer JV33-260BS" (called as this machine hereafter)
- Read this Operation manual carefully and understand them thoroughly to use.
- It is also necessary to keep this Operation manual on hand.
- This Operation manual has been carefully prepared for your easy understanding, however, please do not hesitate to contact a distributor in your district or our office if you have any inquiry.
- Descriptions contained in this Operation manual are subject to change without any notice for improvement.
- In the case when this Operation manual should be illegible due to destruction or lost by fire or breakage, purchase another copy of the Operation manual from our office.
- You can also download the latest manual from our website.

# Safety Precautions

## Symbols

Symbols are used in this Operation Manual for safe operation and for prevention of damage to the machine. The indicated sign is different depending on the content of caution. Symbols and their meanings are given below. Please follow these instructions as you read this manual.

### Examples of symbols

Meaning	
	Failure to observe the instructions given with this symbol can result in death or serious injuries to personnel. Be sure to read it carefully and use it properly.
	Failure to observe the instructions given with this symbol can result in injuries to personnel or damage to property.
	Important notes in use of this machine are given with this symbol. Understand the notes thoroughly to operate the machine properly.
	Useful information is given with this symbol. Refer to the information to operate the machine properly.
	Indicates the reference page for related contents.
	The symbol "  " indicates that the instructions must be observed as strictly as the CAUTION instructions (including DANGER and WARNING instructions). A sign representing a precaution (the sign shown at left warns of hazardous voltage) is shown in the triangle.
	The symbol "  " indicates that the action shown is prohibited. A sign representing a prohibited action (the sign shown at left prohibits disassembly) is shown in or around the circle.
	The symbol "  " indicates that the action shown must be taken without fail or the instructions must be observed without fail. A sign representing a particular instruction (the sign shown at left instructs to unplug the cable from the wall outlet) is shown in the circle.

## Warning for Use



### WARNING



- Do not use the machine in a poorly ventilated room or a closed room.
- Be sure to use the optional Rear fan when the machine is used in a poorly ventilated room or a closed room.
- Use the attached power cable.
- Take care not to damage, break or work upon the power cable. If a heavy material is placed on the power cable, or if it is heated or pulled, the power cable can break, thus resulting in fire or electric shocks.
- Avoid locating the machine in a damp environment. Do not splash water onto the machine. Use in such an environment can give rise to fire, electric shocks or breakdown of the machine.
- Use of the machine under an abnormal condition where it produces smoke or strange smell can result in fire or electric shocks. If such an abnormality is found, be sure to turn off the power switch immediately and unplug the cable from the wall outlet. Check first that the machine no longer produces smoke, and then contact your distributor or a sales office of MIMAKI for repair.
- Never repair your machine by yourself since it is very dangerous for you to do so.
- Never disassemble or remodel the main unit of the machine or the ink cartridge. Disassembly or remodeling can result in an electric shock or breakdown of the machine.
- Take care that no dust or dirt sticks to platen heaters. Dust and dirt sticking heaters can cause fire.




- The ink used for this machine contains organic solvent. Since the ink is flammable, never use flame in or around the place where this machine is used.



#### **Hazardous Moving Parts**

Keep Fingers and Other Body Parts Away

## Precautions in Use

 <b>CAUTION</b>	
<b>Power supply</b> <ul style="list-style-type: none"> <li>• Leave the breaker turned ON.</li> <li>• Do not turn off the main power switch on the right side of this machine.</li> </ul>	<b>Handling of ink</b> <ul style="list-style-type: none"> <li>• If you get ink in your eyes, immediately wash your eyes with a lot of clean water for at least 15 minutes. In doing so, also wash eyes to rinse ink away completely. Then, consult a doctor as soon as possible.</li> <li>• If anyone drinks ink by mistake, keep him or her quiet and see a doctor immediately. Do not allow him or her to swallow the vomit. After that, contact the Poison Control Center.</li> <li>• If you inhale a lot of vapor and feel bad, immediately move to a location of fresh air and then keep yourself warm and quiet. Then, consult a doctor as soon as possible.</li> <li>• The ink contains organic solvent. If ink settles on the skin or clothes, immediately wash it off with detergent and water.(only when solvent is used)</li> </ul>
<b>Heater</b> <ul style="list-style-type: none"> <li>• Do not spill liquid on the platen as this may cause failure of the heater or firing.</li> <li>• Do not touch platen heaters with bare hand while it is hot; otherwise, you can get burned.</li> </ul>	
<ul style="list-style-type: none"> <li>• When the machine is to be moved, wait until the heater temperature drops adequately. As a criterion, wait at least 30 minutes after you turn off the power to the heater. Moving the machine must be limited to on the same floor where there is no steps. When the machine is to be moved to any place other than on the same step-free floor, contact your distributor or a sales office of MIMAKI.</li> </ul>	
<b>Note on maintenance</b> <ul style="list-style-type: none"> <li>• When cleaning the ink-station or the heads, make sure to wear the attached gloves. Further, when the solvent ink is used, it is necessary to wear the attached goggles.</li> </ul>	



## CAUTIONS and NOTES



## Warning

Handling of ink cartridges and ink packs	Front cover and lever
<ul style="list-style-type: none"> <li>• Use the JV33 genuine ink. Remember that the user shall be filled for a repair to correct any damage resulting from the use of ink other than the exclusive type.</li> <li>• The machine does not operate with any ink other than the JV33 genuine ink.</li> <li>• Do not use the JV33 genuine ink with other printers, as doing so may cause damage to such machines.</li> <li>• Never refill the ink pack with ink. Refilled ink pack can cause a trouble. Remember that MIMAKI assumes no responsibility for any damage caused by the use of the ink pack replenished with ink.</li> <li>• If the ink cartridge is moved from a cold place to a warm place, leave it in the room temperature for three hours or more before using it.</li> <li>• Open the ink cartridge just before installing it in the machine. If it is opened and left for an extended period of time, normal printing performance of the machine may not be ensured.</li> <li>• Make sure to store ink cartridges in a cool and dark place.</li> <li>• Store ink cartridges and waste ink tank in a place that is out of the reach of children.</li> <li>• Be sure to thoroughly consume the ink in the ink cartridge, once it is opened, within three months. If an extended period of time has passed away after opening the cartridge tank, printing quality would be poor.</li> <li>• Neither pound the ink cartridge nor shake it violently, as doing so can cause leakage of ink.</li> <li>• Do not touch or stain the contacts of the ink cartridge, as doing so may cause damage to the print circuit board.</li> <li>• Waste ink is equivalent to waste oil of industrial waste. Request an industrial waste disposal company for disposal of waste ink.</li> </ul>	<ul style="list-style-type: none"> <li>• Never open the front cover or raise the lever during printing. Opening the cover or raising the lever will abort printing.</li> </ul>
	Handling of media
	<ul style="list-style-type: none"> <li>• Use media recommended by MIMAKI to ensure reliable, high-quality printing.</li> <li>• Set the heater temperature to meet the characteristics of the media. Set the temperature of the Pre-heater, Print heater and Post-heater according to the type and characteristics of the media used. Automatic temperature setting can be made on the operation panel by setting the profile on the dedicated RIP. For setting on the RIP, refer to the instruction manual for your RIP.</li> <li>• Pay attention to the expansion and contraction of the media. Do not use media immediately after unpacking. The media can be affected by the room temperature and humidity, and thus it may expand and contract. The media have to be left in the atmosphere in which they are to be used for 30 minutes or more after unpacked.</li> <li>• Do not use curled media. The use of curled media can not only cause a media jam but also affect print quality. Straighten the sheet of media, if significantly curled, before using it for printing. If a regular-sized coated sheet of media is rolled and stored, the coated side has to face outside.</li> </ul>
Protection of media from dust	
<ul style="list-style-type: none"> <li>• Store media in a bag. Wiping off dust accumulated on media will adversely affect the media due to static electricity.</li> <li>• When leaving the workshop after the working hours, do not leave any media on the roll hanger. If any media is left on the roll hanger, it can get dusty.</li> </ul>	



## Warning

### Notes on maintenance

- It is strongly recommended to use the machine in a room that is not dusty. Set the Refresh level 2 or 3 when the machine is to be used in an unfavorable environment. (P.3-24 "Setting of Refreshing")
- Keep the front cover closed even when the machine is not printing. If not, dust can accumulate on the nozzles in the heads.
- Dust in the heads can also cause drops of ink to fall suddenly down on the media during printing. In such a case, be sure to clean up the heads. (P.3-19 "Setting Auto cleaning")
- When cleaning the ink-station or the heads, make sure to wear the attached gloves. Further, when the solvent ink is used, it is necessary to wear the attached goggles.
- Perform wiping (removal of dust and paper powder) of the capping station and wiper frequently.

### Periodic replacement parts

- Some parts of this machine must be replaced with a new one periodically by service personnel. Be sure to make a contract with your distributor or dealer for After sale service to ensure a long life of your machine.

## Cautions on Installation



## CAUTION

A place exposed to direct sunlight	On an inclined surface	A place where temperature or humidity varies significantly
		<ul style="list-style-type: none"> <li>• Use the machine under the following environmental conditions:</li> <li>• Operating environment: 20 to 35 °C (68 to 95 °F) 35 to 65 % (Rh)</li> </ul>
A place that vibrates	A place exposed to direct air flow from an air conditioner or the like.	Around a place where fire is used

# CHAPTER 1

## Before Use



This chapter describes the items required to understand before use, such as name of each part of the machine or the installation procedures.

<b>Moving this machine</b> .....	<b>1-2</b>	<b>Connecting cables</b> .....	<b>1-10</b>
Where to install this machine .....	1-2	Connecting USB2.0 interface cable ..	1-10
Working environmental temperature ..	1-2	Connecting the power cable .....	1-11
Moving this machine .....	1-3	<b>Inserting ink cartridges</b> .....	<b>1-12</b>
<b>Names of Parts and Functions</b> .....	<b>1-4</b>	Caution in handling of ink cartridges	1-13
Front .....	1-4	<b>Media</b> .....	<b>1-14</b>
Rear / Sides .....	1-5	Usable sizes of media .....	1-14
Operation Panel .....	1-6	Caution in handling of medias .....	1-14
Heater .....	1-7	<b>Menu mode</b> .....	<b>1-15</b>
Media sensor .....	1-7		
Carriage .....	1-8		
Cutter blade and slot for cutting .....	1-8		
Capping station .....	1-9		
Pinch rollers and Feed rollers .....	1-9		

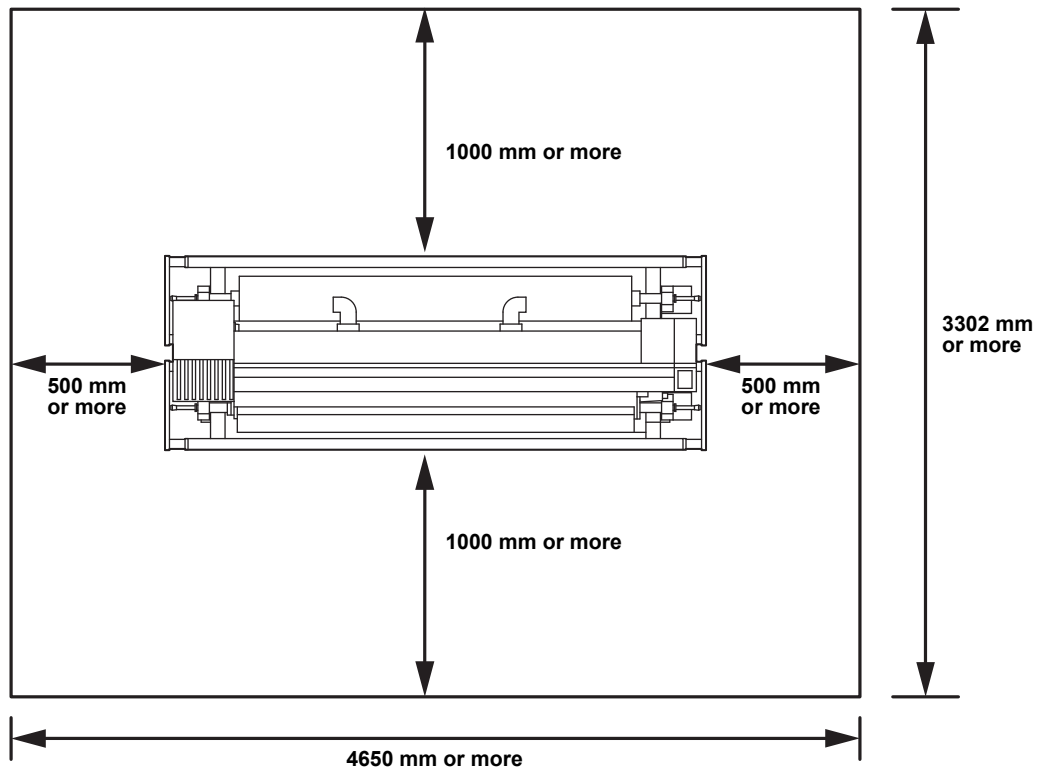
# Moving this machine

## Where to install this machine

Secure a suitable installation space before assembling this machine.

The place of installation must have enough space for not only this machine itself but also for printing operation.

Model	Width	Depth	Height	Gross weight
JV33-260BS	3650mm	1302mm	1424mm	450kg



## Working environmental temperature

Use this machine in an environment of 20 to 35°C to ensure reliable printing.

Depending on the ambient temperature, the heater temperature may not rise to the set value.

## Moving this machine

Move this machine according to the following steps when this machine is required to move on the step-free same floor.

**Important!**

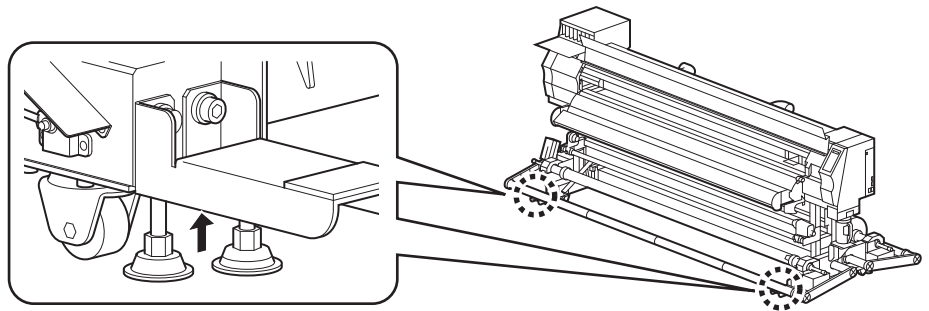
- When this machine is to be moved to any place other than on the same step-free floor, contact your distributor or a sales office of MIMAKI.  
If you move it by yourself, failure or damage may occur.  
Be sure to request your distributor or a sales office of MIMAKI to move this machine.



- When moving this machine, take care not to give a significant impact on it.
- After moving, be sure to fix the level feet. If you start to draw with the level foot not being fixed, the device may start to move.

# 1

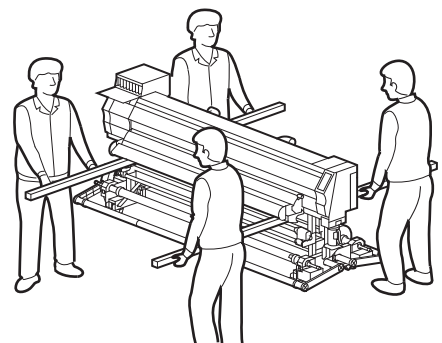
**Raise the level feet.**



# 2

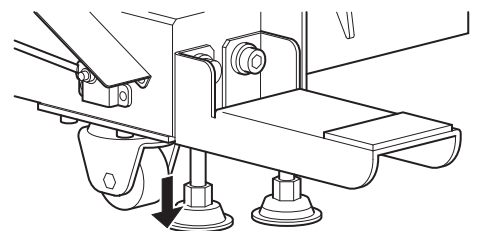
**Move this machine as shown in the figure.**

- For safety, be sure to work it with more than 2 persons.
- Do not push the cover to move this machine since the cover may be broken.



# 3

**Move the level feet down to fix the device.**



# 1

Before Use

# Names of Parts and Functions

## Front

### Maintenance cover

Open the cover in maintenance.  
Even when the power switch is off, keep all covers closed.

### Ink cartridges

Each cartridge contains an ink of a particular color.

### Cartridge protection cover

This prevents an injury or breakage of the machine due to a protrusion of the 440 cc cartridge.  
(It is located under the ink cartridge.)

### Front cover

Open the cover in setting of medias, taking of measures against jamming of medias or in maintenance inside the station.  
Even when the power switch is off, keep this cover and the other covers closed.

### Clamp lever (front)

Moves the pinch rollers up and down to hold or release the media.

### Carriage

Moves the print head unit from side to side.

### Operation panel

This panel has the operation keys required for operating the machine and the LCDs for displaying setting items, etc.

### Power switch\*<sup>1</sup>

Turns on/off the power to the machine.

### Waste ink tank

Waste ink gathers in this tank.

### Stand

Supports the main body of the machine. It is provided with casters that are used to move this machine.

### Narrow take-up device

Take up the output drawn with a narrow roll medium (less than 1.6m) automatically.

### Heavy-duty take-up device


Take up the output drawn with a heavy roll medium (the medium width is 1.6m and more) automatically.

### Platen

The printed media is sent out, sliding on the platen. Three heaters are installed inside the platen.

### Print heater/ Post-heater

Fixes and dries the ink on the currently produced print. (Located inside the platen)

\*1: The power switch under the operation panel lights in green when the power is turned on, and blinks when the power switch is turned off. The ink clogging prevention function is periodically operated even when the power switch is OFF if the main power switch keeps being ON. (Sleep function)  P.1-5

**Rear / Sides**

**1**  
Before Use

**Clamp lever (rear)**  
Interlocks with the clamp lever in the front of this machine.

**Pre-heater**  
Preheats the media before printing. (Located inside the platen)

**Cleaning solution cartridge**  
Set a dedicated Washings cartridge (optional).

**Roll holders**  
Putting this into the paper core (right and left) of a narrow roll medium (less than 1.6m), hold the medium. It supports the paper core of 2 inch and 3 inch.

**Heavy-duty feeding device**  
Set a heavy roll medium when drawing with a heavy roll medium (the medium width is 1.6m or more).

**USB 2.0 connector**  
This is USB2.0 interface connector.

**Main power switch**  
Turns on/off the main power for this machine. Leave the main power turned on to prevent ink clogging.

**AC inlet**  
Connect the power cable to the AC inlet.

# Operation Panel

Use the operation panel to make settings for printing or operate this machine.

## Display

Displays the status of the machine, set items and errors.

## ACTIVE lamp

Blinks in receiving or drawing data.

### USER TYPE key

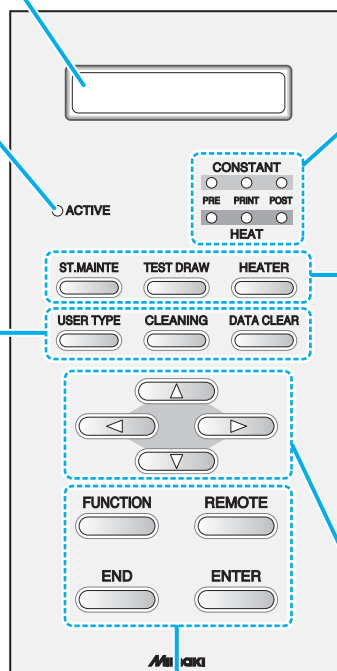
Selects User type.

### CLEANING key

Executes Head cleaning at ink clogging.

### DATA CLEAR key

Deletes the data that have been received.



## CONSTANT lamp

Lights in green when the heater temperature reaches the set temperature.

## HEAT lamp

Lights in orange during heating up of the heater.

### ST.MAINT key

Use this key on Station maintenance.

### TEST DRAW key

Draws test patterns to check if there are any drawing failures such as ink clogging.

### HEATER key

Use this key to set the temperatures of the Pre-heater, Print heater and Post-heater or check the current temperature of the platen.

## JOG key

Use these keys to shift the carriage or the media in [LOCAL mode]. Also use them to select an item of printing conditions.

### FUNCTION key

Use this key to display function setting menu.

### END key

Cancels the last input value or returns the setting menu to the immediate higher level of the hierarchy.

### REMOTE key

Use this key to switch between [REMOTE mode] and [LOCAL mode].

### ENTER key

Registers the last input value as the setting value or goes to the immediate lower level of the hierarchy.

## Functions of the JOG keys

Each of the JOG keys varies in function according to the condition of the machine under which the key is used. The functions of the JOG keys are as follows:

	Before the detection of media	After the detection of media	When selecting a function	When selecting a setting value
	Detects the width of the media.	Shifts the carriage to the left.		
	Detects the width and length of the media.	Shifts the carriage to the right.		
		Moves the media inward.	Returns to the previously indicated function again.	Selects the previously indicated value again.
		Moves the media frontward.	Goes to the next function.	Selects the next value.



## Heater

Pre-heater /Print heater / Post-heater are equipped on the platen.

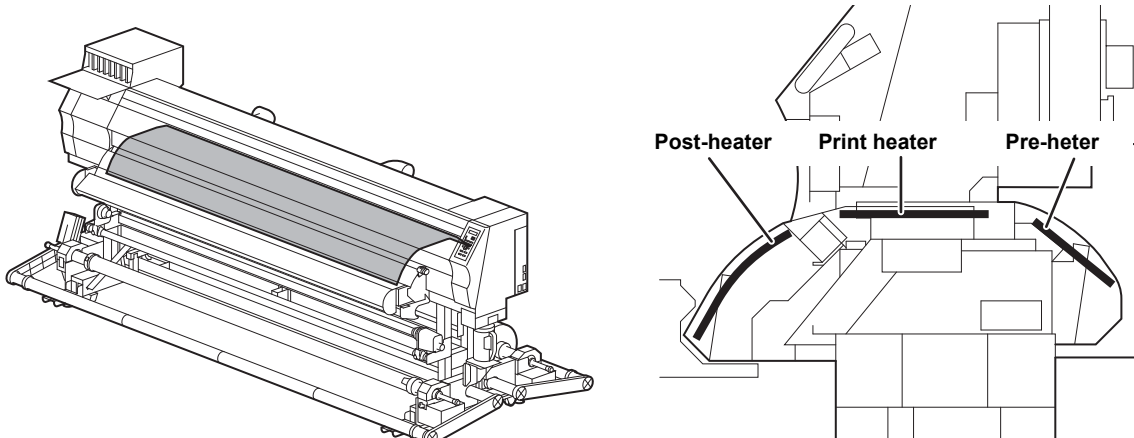
The Pre-heater is used for pre-heating of the media prior to printing to prevent rapid temperature changing.

The Print-heater improves the image quality in printing.

The Post-heater dries ink after printing.



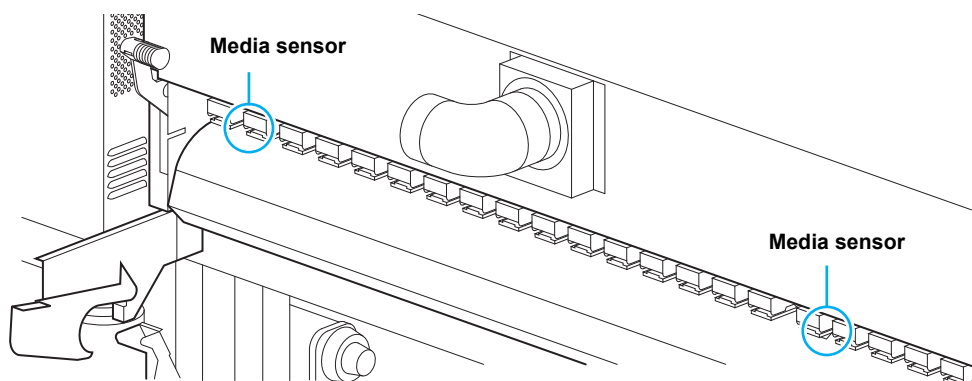
- While the heater is on, the platen is very hot. When the front cover is to be opened or media is to be replaced, lower the heater temperatures and wait until the platen temperature drops; otherwise, you can get burned.
- When the media is to be replaced with a thin one, lower the heater temperatures and wait until the platen temperature drops adequately. Setting a thin sheet of media while the platen is hot may cause the media to stick to the platen or cause wrinkling or curling of the media.



## Media sensor

The media sensor detects the presence of the media and the media length.

This machine has a media sensor on the platen (in the rear).

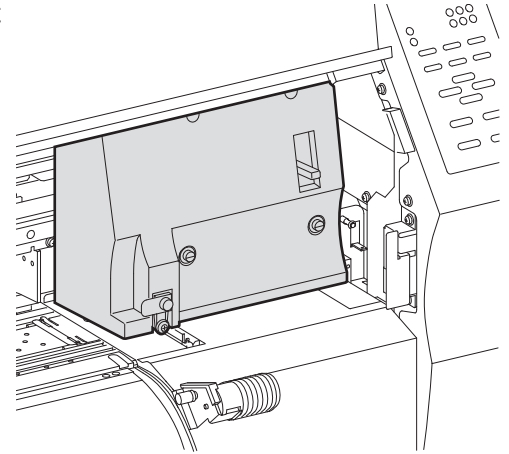


- When setting a medium, be sure to cover either of the medium sensors located on the rear of the platen. The media can not be detected unless it is placed over the sensor.

## Carriage

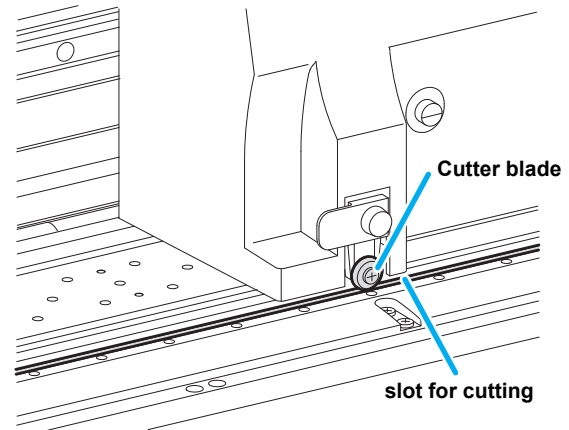
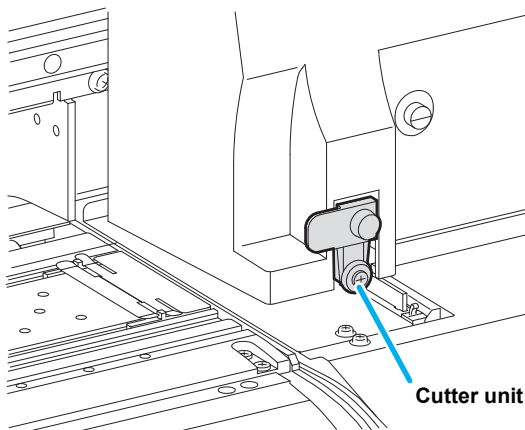
The carriage is provided with the ink heads for printing, the cutter unit for cutting off the sheet of media, etc.

A lever is also provided to adjust the height of Head in 2 stages according to the thickness of media. (☞ P.2-6)



## Cutter blade and slot for cutting

The carriage is provided with a cutter unit for cutting off the media that has been printed on. The cutter cuts off the sheet of media along the slot for cutting on the platen.



## Capping station

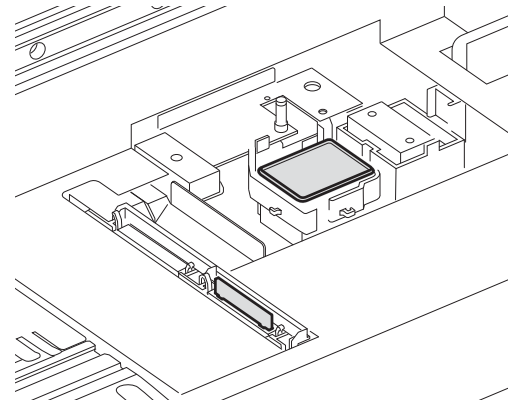


- Be sure to wear the attached goggles in cleaning within the capping station to protect your eyes against ink.

The capping station consists of the ink caps, the wiper for cleaning the heads, etc.

The ink caps prevent the nozzles in the ink heads from drying up. The wiper cleans the nozzles in the heads. The wiper is consumable.

If the wiper is deformed or the media is stained, replace the wiper with a new one.



1

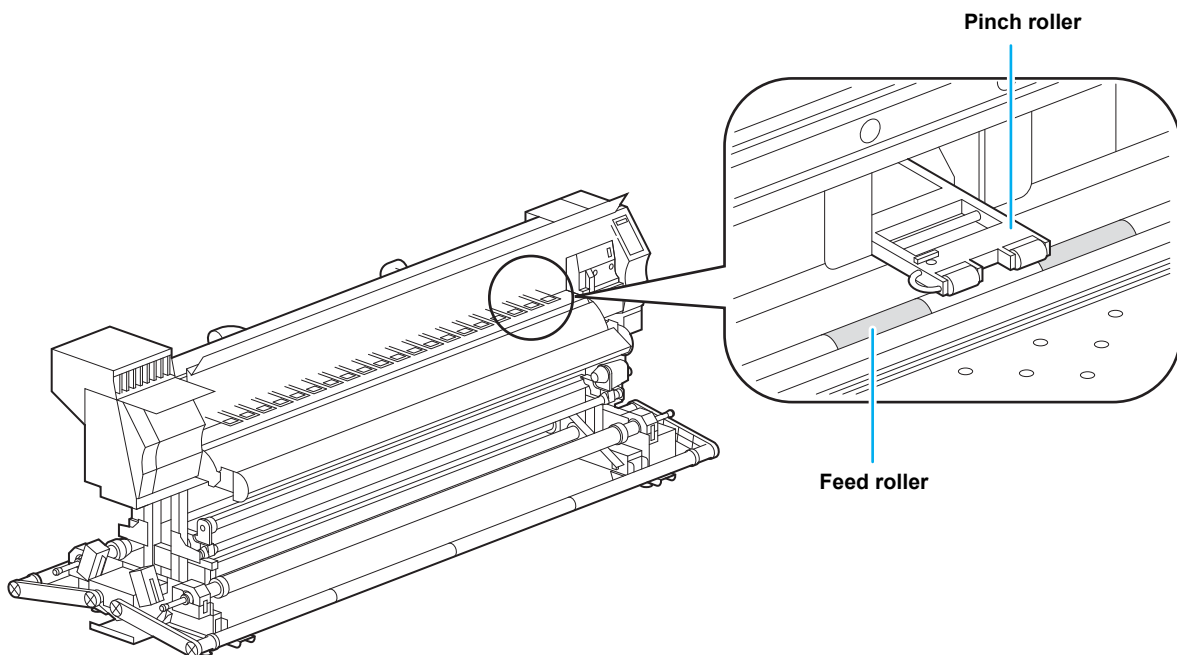
Before Use

## Pinch rollers and Feed rollers

**Important!**

- Keep the pinch rollers lifted up when this machine is not in use. If the pinch rollers are left lowered for an extended period of time, they can be deformed and fail to securely retain the media.

This machine retains the media with the pinch rollers and feed rollers. During printing operation, the feed rollers feed the media forward.



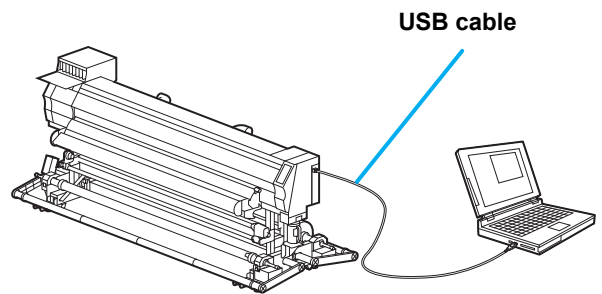
# Connecting cables

## Connecting USB2.0 interface cable

Connect the PC and this machine with the USB2.0 interface cable.



- Your RIP must be compatible with USB 2.0.
- Contact a RIP maker near your location or our office when the USB2.0 interface is not attached to the PC.



## Notes on USB 2.0 Interface

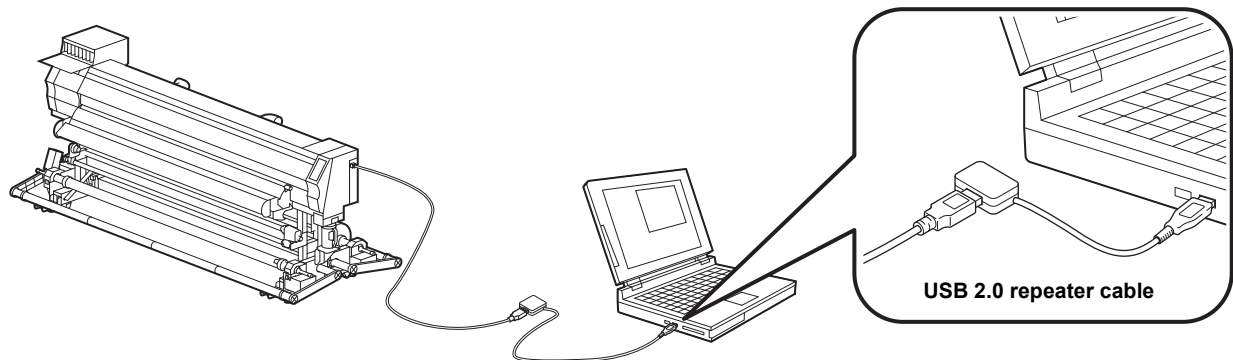


- Your RIP must be compatible with USB 2.0.

### ● When two or more JV33 machines are connected to one personal computer

When two or more JV33 machines are connected to one personal computer, the personal computer may not recognize all the JV33 machines normally.

Reconnect the unrecognized JV33 machine to another USB port, if available, and check to see if it is recognized. If the JV33 machine is not recognized by the newly connected USB port, use USB 2.0 repeater cables available on the market.



### ● Notes on peripheral devices in USB high speed mode

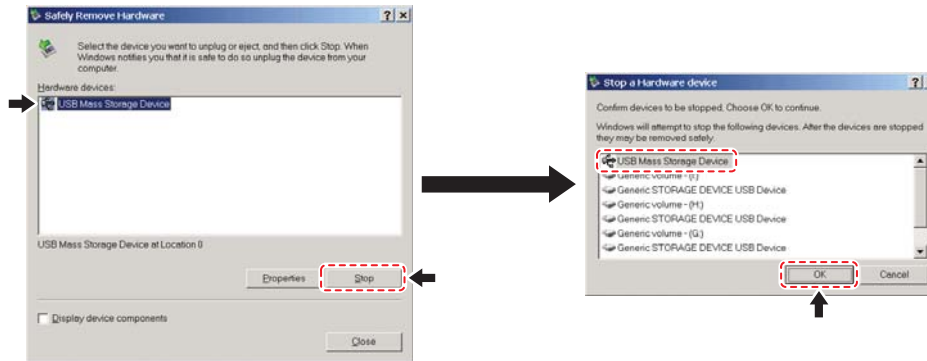
When a peripheral device (USB memory or USB HDD) to be operated in USB high speed mode is connected to the same personal computer that a JV33 machine is connected to, the USB device may not be recognized.

When a JV33 printer is connected to the personal computer to an externally installed USB hard disk drive, the data output speed to the JV33 machine may drop. That can cause the head unit to stop temporarily at the right or left end during printing.

## ● Removing USB memory

If a USB memory module is inserted in the personal computer to which a JV33 machine is connected, click "Stop" in the "Safely Remove Hardware" window by following the instructions given there first and then remove the module.

Leaving a USB memory module inserted can cause [ERROR 10 COMMAND ERROR].  
Copy the data onto the hard disk before outputting it for printing.

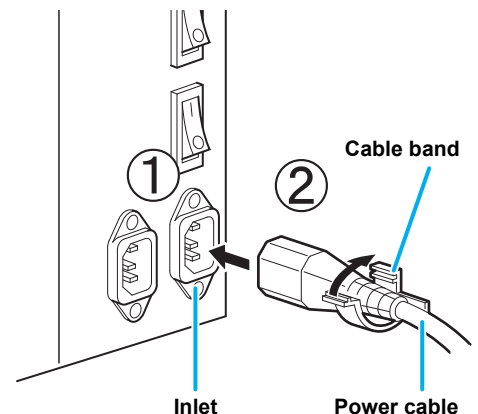


## Connecting the power cable

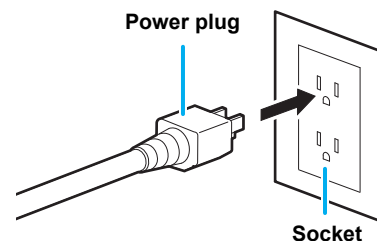
**1** Insert the power cable into an inlet of the machine.

**2** Secure a cable band.

- Secure the cable with the cable band attached to this machine.



**3** Insert the power plug into a plug socket.



- Do not use other power cables than the attached power cable.



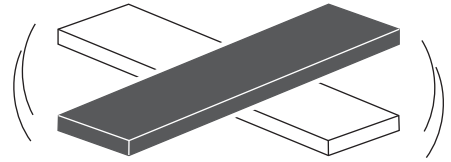
- Be sure to connect the power cable to the power plug socket near to this machine, and make sure that the power cable is easily removed.
- Connect the power cable to the grounded plug socket. Otherwise, it may result in fire or an electric shock.

# Inserting ink cartridges

Insert an ink cartridges.

**1**

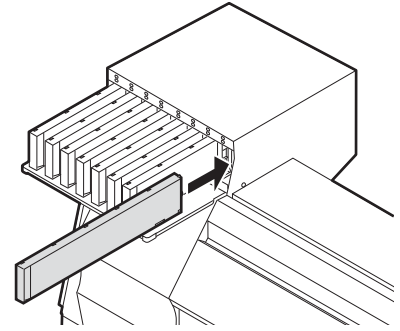
**Shake the ink cartridge as shown on the right.**



**2**

**Insert the ink cartridge.**

- Insert the ink cartridge lengthwise directing the surface having IC chips to the left side.
- Colors are displayed on the display as follows.  
Black: K, Cyanogen: C, Magenta: M, Yellow: Y



## Changing an ink cartridge

Perform as follows when [INK END] or [INK NEAR END] is displayed on the display.

### ● When [INK END] is displayed

- (1) Pull out an ink cartridge to be replaced.
- (2) Replace with a new ink pack and a new IC chip. (See the label attached on the eco case for details.)
- (3) Insert a new ink cartridge, paying attention to the direction of IC chip.

### ● When [INK NEAR END] is displayed

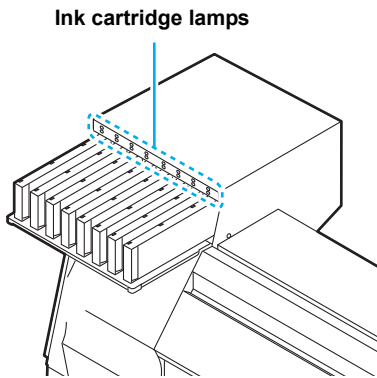
There is a little of ink left. It is recommended to replace the ink cartridge soon since ink may become empty in printing while printing is continuously enabled.

**Important!**

- While [NEAR END] is displayed, the cleaning during printing does not work. (☞ P.3-21)

## For Ink cartridge lamps

The condition of the ink cartridges set in the machine is confirmable with lamps located over the ink cartridges.



Condition of Lamp		Description
Upper row Red lamp	OFF	No error
	Blinking	One of the following errors occurs. <ul style="list-style-type: none"> <li>• Ink near-end</li> <li>• Ink end</li> <li>• Expiration of a term of ink validity (one month)</li> </ul>
	ON	One of the following errors occurs. <ul style="list-style-type: none"> <li>• No ink left</li> <li>• No ink cartridge inserted</li> <li>• Other ink errors (☞ P.6-5)</li> </ul>
Lower row Green lamp	OFF	No error
	ON	When used with 4-color ink set, the machine supplies ink from the ink cartridge with lower ink. In this case, the cartridge being used lights in green.

## Caution in handling of ink cartridges



- An organic solvent is used in solvent ink. When ink sticks on skins, wash it with soapy water immediately then rinse it off with water fully. If you get ink in your eyes, immediately wash your eyes with a lot of clean running water for at least 15 minutes. In doing so, also wash the eyes to rinse ink away completely. Then, consult a doctor as soon as possible.
- Use genuine ink cartridges for this machine. This machine functions by recognizing the genuine ink cartridges. In case of troubles caused by modified ink cartridges or the like, it shall be out of the warranty even within the warranty period.
- If the ink cartridge is moved from a cold place to a warm place, leave it in the room temperature for three hours or more before using it.
- Be sure to thoroughly consume the ink in the ink cartridge, once it is opened, within three months. If an extended period of time has passed away after opening the cartridge tank, printing quality would be poor.
- Make sure to store ink cartridges in a cool and dark place.
- Store ink cartridges and waste ink tank in a place that is out of the reach of children.
- Request an industrial waste processor for processing of empty ink cartridges.
- Do not shake ink cartridges violently. This may result in ink leakage from the ink cartridges.
- Never refill the ink cartridges with ink. This may result in troubles. MIMAKI will not bear any responsibility for any damage caused by the use of the ink cartridges refilled with ink.
- Do not touch or stain the contacts of the ink cartridge. This may cause damages on printed circuit boards.
- Do not disassemble the ink cartridges.



Useable media sizes and notes for handling are described.

## Usable sizes of media

Model		JV33-260BS	
Type of Recommended media	Tarpaulin/ FF(Flexible Face)/ Weatherproof PVC	Photo paper/PET/Artificial paper/ Transfer paper	
Maximum width	2642mm		
Minimum width	210mm		
Maximum printing width	2632mm		
Roll media	Thickness	1.0mm or less	
	Roll outside diameter	φ 180mm or less	
	Roll weight	25kg or less	
	Roll inside diameter	3 or 2 inches	
	Side printed	Side facing outward	
	Roll end treatment	The roll end is gently fixed to the core with weak-adhesive tape or weak glue for easy removal.	

## Caution in handling of medias

Pay attention to the followings for handling of medias.



- Use media recommended by MIMAKI to ensure reliable, high-quality printing.**  
 Set the heater temperature to meet the characteristics of the media.
- Set the temperature of the Pre-heater, Print heater and Post-heater according to the type and characteristics of the media used.**  
 Automatic temperature setting can be made on the operation panel by setting the profile on the dedicated RIP. For setting on the RIP, refer to the instruction manual for your RIP.
- Pay attention to the expansion and contraction of the media.**  
 Do not use media immediately after unpacking. The media can be affected by the room temperature and humidity, and thus it may expand and contract.  
 The media have to be left in the atmosphere in which they are to be used for 30 minutes or more after unpacked.
- Do not use curled media.**  
 This may result in paper jamming.  
 If a regular-sized coated sheet of media is rolled and stored, the coated side has to face outside.
- Be careful to dusts on the edge face of the medium.**  
 Some rolls have dusts contained in the package gathered on the edge surface of the roll. If you use as it is, the drawing quality may be degraded due to nozzle missing or ink drops. Be sure to set the roll after removing dusts adhering on the edge face of the roll.



# Menu mode

This machine has 4 modes. Each menu mode is described below.

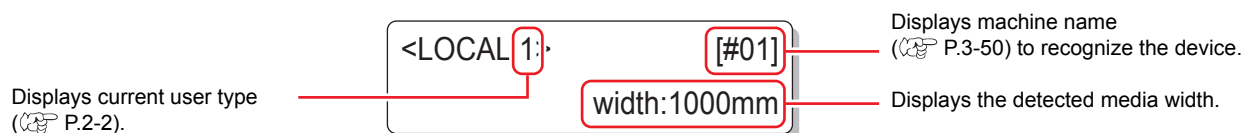
## NOT-READY mode

This is the mode in which the media has not been detected yet.  
The keys other than the **[REMOTE]** key and the **[TEST DRAW]** key are effective.

## LOCAL mode

Local mode is the mode for the drawing preparation state.  
All the keys are effective.  
The machine can receive data from the computer. However, it does not perform printing.

### Screen display in Local mode



This mode permits the following operations:

- Pressing the JOG keys to set up a drawing origin and drawing area.
- Pressing the **[TEST DRAW]** key to perform [TEST DRAW].
- Pressing the **[CLEANING]** key to execute the cleaning of the heads.
- Pressing the **[FUNCTION]** key to set functions.
- Pressing the **[HEATER]** key to set the temperature of the heaters.
- Pressing the **[ENTER]** key to check the remaining amount of ink, the description of the cartridge error, the model name, the firmware version, and so on.
- Pressing the **[REMOTE]** key to switch between [REMOTE mode] and [LOCAL mode].
- Pressing the **[DATA CLEAR]** key to erase the printing data the machine has received.
- Pressing the **[USER TYPE]** key to change the user type.
- Pressing the **[ST.MAINT]** key to activate directly [ST.MAINTENANCE], one of the [MAINTENANCE] functions.

## FUNCTION mode

To set FUNCTION mode, press the **[FUNCTION]** key when this machine is in LOCAL mode.  
In this mode, printing conditions can be set.

## REMOTE mode

This machine prints the data it receives.  
During drawing, the drawing is interrupted by pressing the **[REMOTE]** key.



# CHAPTER 2

## *Basic Operations*



The procedures from the ink and media preparation to drawing and the setting procedures are described.

<b>User type</b> .....	<b>2-2</b>	<b>Test printing</b> .....	<b>2-32</b>
Set items registrable to User type .....	2-2	Test printing .....	2-32
Using the registered user type .....	2-2	Head cleaning .....	2-33
<b>Workflow</b> .....	<b>2-3</b>	<b>Drawing data</b> .....	<b>2-34</b>
<b>Turning the power ON/OFF</b> .....	<b>2-4</b>	Starting the print .....	2-34
Turning the power ON .....	2-4	Stopping the print temporarily .....	2-35
Turning the power OFF .....	2-5	Erasing the received data	
<b>Setting medias</b> .....	<b>2-6</b>	(Data clear) .....	2-35
Adjusting the head height .....	2-6	Cutting a media .....	2-36
Note for media setting .....	2-8		
Setting a heavy-duty roll media .....	2-9		
Setting a narrow roll media .....	2-20		
Narrow take-up device .....	2-25		
Setting leaf media .....	2-26		
Changing the printing origin .....	2-28		
<b>Preparing Heaters</b> .....	<b>2-30</b>		
Changing temperature settings of			
Heater .....	2-30		
Confirming the Heater temperature .....	2-31		

# User type

Drawing of higher quality prints is available by making (setting of User type) the print set matching to the characteristics of media when this machine is used for drawing.  
On this machine, 4 types of User type 1 to 4 are settable.

## Set items registrable to User type

For the registering procedures to User type (1 to 4), refer to P.3-2 .

Set items	Reference page	Set items	Reference page
Setting Media compensation	P.3-5	Setting of Refreshing	P.3-23
Changing the set value of Heater	P.3-8	Setting of Adsorption	
Setting Print mode	P.3-12	Setting of Feeding speed level	
Setting of the number of ink layers	P.3-23	Setting of Priority	P.3-18
Setting of Drying time	P.3-16	Setting of Auto cleaning	P.3-19
Setting of Auto cut	P.3-23	Setting of In-printing cleaning	P.3-21
Setting of Pre-feeding		Setting of Media detection	P.3-22
Setting of Margins	P.3-17	Setting of Feed origin	P.3-23
Setting of Color patterns	P.3-23		

## Using the registered user type

**1** In the local mode, press the **USER TYPE** key.

```
<LOCAL . 1>      [#01]  
width: ****mm
```

**2** Select User type (1 to 4) by using the **▲** **▼** keys.  
• This is also selectable by pressing the **USER TYPE** key.

```
USER TYPE CHANGE  
TYPE (1) -> <2> :ent
```

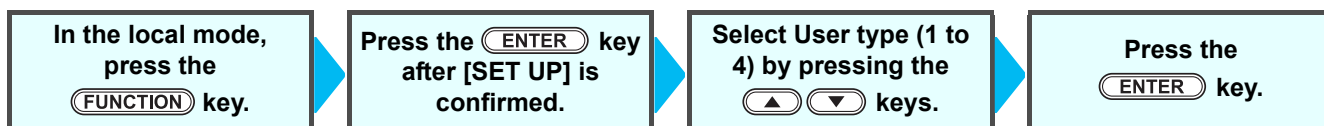
**3** Press the **ENTER** key.

```
<LOCAL . 2>      [#01]  
width: ****mm
```

Number of the selected user type

## For selecting the user type without the **USER TYPE** key.

The user type is selectable from the local mode by pressing the **FUNCTION** key, not by pressing the **USER TYPE** key.



**1** Turning the power ON/OFF

Referring to "Turning the power ON/OFF" (☞ P.2-4).

**2** Setting medias

Referring to "Setting medias" (☞ P.2-6).

**3** Preparing Heaters

Referring to "Preparing Heaters" (☞ P.2-30).

**4** Test printing

Referring to "Test printing" (☞ P.2-32).

**5** Drawing data

Referring to "Drawing data" (☞ P.2-34).

# Turning the power ON/OFF

## Turning the power ON

The machine is provided with the following two power switches.

**Main power switch** : At the side of this machine. Keep it "ON" always.

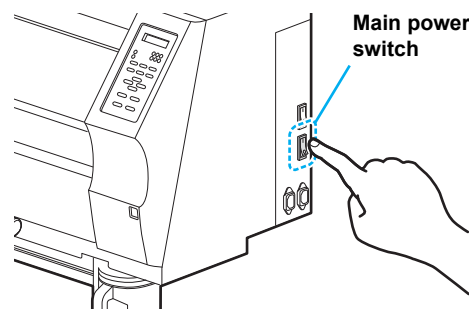
**Power switch** : Normally, use this switch to turn the power ON/OFF. The power switch lights in green when the power is ON and blinks in green when it is OFF.

The power switch under the operation panel lights in green when the power is turned on, and blinks when the power switch is turned off.

The nozzle clogging prevention function is periodically operated even when the power switch is OFF if the main power switch keeps being ON. (The power switch blinks in green.)

### 1 Turn the main power switch ON.

- Set the main power switch located on the side of this machine to the "I" side.



- The firmware version is displayed when the power is turned on.
- This machine performs initial operation.

JV33-260BS

V\*.\*.\*

Please Wait

### 2 This machine enters the LOCAL mode.

<LOCAL . 1>

[ # 0 1 ]

### 3 Turn the power of the connected PC ON.

**Important!**

- Turn the power ON after the front cover and maintenance cover are closed.
- The head nozzle may result in nozzle clogging if the main power switch is kept being "OFF" for a long time.

## Turning the power OFF

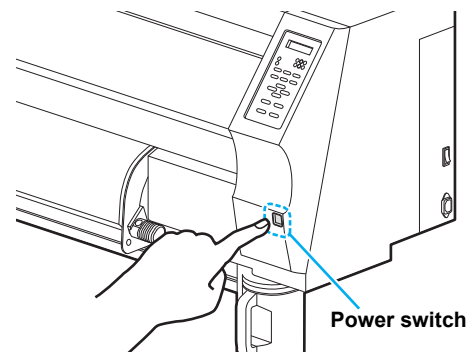
Turn the power OFF by pressing the power switch located on the side of after using.  
Check the followings when the power is turned off.

- If it is in receiving of data from the PC, or there is any data un-output.
- If the head has returned to the capping station.
- If any error occurs. (☞ P.6-10 “Error messages”)

### 1 Turn the power of the connected PC OFF.

### 2 Turn the power OFF by pressing the power switch.

- The power switch blinks in green.
- Do not turn the main power switch located on the side of this machine.
- To use this machine again, light the green lamp by pressing the power switch.



## Cautions in turning the power OFF

### ● Do not turn the main power switch OFF.

If the main power switch is ON, the power periodically turns on and the nozzle clogging prevention function (Flushing function) is operated.

If the main power switch is OFF, the sleep function such as the flushing function does not work and this may cause nozzle clogging.

### ● Keep the front cover and the maintenance cover closed.

If the cover is opened, the sleep function such as the flushing function does not work.

### ● Turn the power OFF after confirming of the head position.

If the power is turned off in such condition that the head does not return to the capping station, this may cause nozzle clogging due to drying of the head.

At this case, turn the power ON again, and then turn the power OFF after confirming of that the head has returned to the capping station.

### ● Do not turn the power OFF in drawing.

The head may not return to the capping station.

### ● Turn the power switch OFF then turn the main power switch OFF.

When turning the main power switch off for moving the machine or for solving the error or the like, press the power switch on the front of the machine, check the display is turned off on the operation panel, and then turn the main power switch off.

# Setting medias

This machine can be used with roll media and leaf sheet media.  
For usable medias, refer to P.1-14 "Usable sizes of media".

## Adjusting the head height

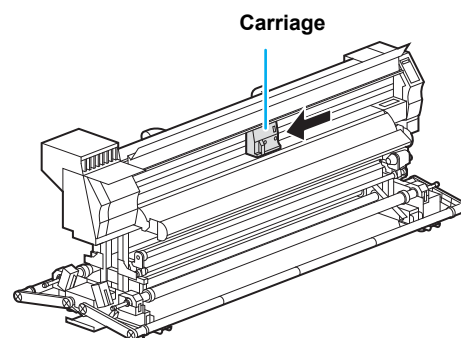
Adjust the head height according to the thickness of the media used.

**Important!**

- Adjust the head height prior to setting of the media. If the head height is adjusted after the media is set, this may cause media jamming, deterioration of the drawing quality or head damage.
- The range of the initial head height is adjustable by 2 levels according to the purpose of use.
- The range of the printing height of JV33 is 2 mm/3 mm.
- If the drawing quality is set to "Bi-D" (☞ P.3-14), perform "DROP POSITION" of the maintenance function after the head height is adjusted. (☞ P.5-26)

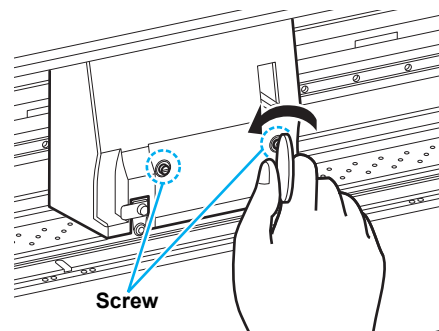
### 1 Move the carriage to the platen.

- When the device is turned on :  
Execute [ST.MAINTENANCE] - [CARRIAGE OUT] (☞ P.5-5 Step1,2)
- When the device is turned off :  
Open the front cover, then move the carriage by hand.



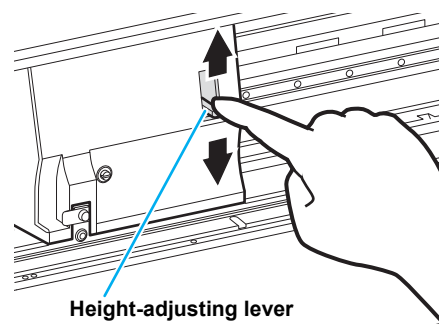
### 2 Loosen two screws located at the front.

- Loosen the screws, rotating by one turn with a screwdriver.



### 3 Adjust the height-adjusting lever according to the media.

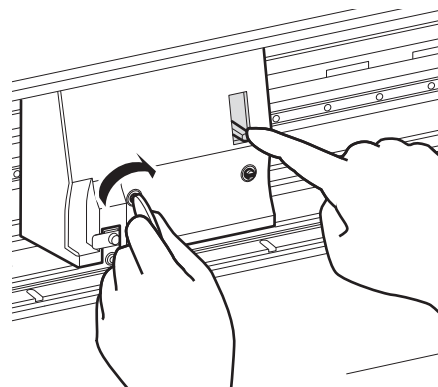
- Adjust the position of the lever, referring to "For the adjusting lever and the range".
- Set the height-adjusting lever to the highest stage or the lowest stage. Setting it to the intermediate height, a printing fault can result.



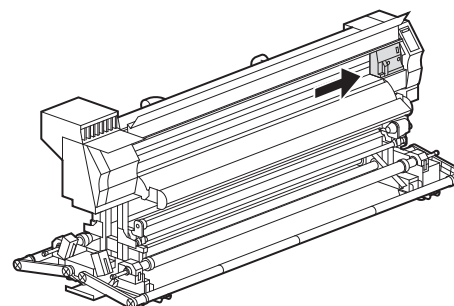


## 4 Keeping the height-adjusting lever held at the aforementioned position, tighten the two screws.

- Be sure to fasten the screws, pressing the height-adjusting lever, otherwise the head can not be secured at the correct position.
- Fasten the screws securely.



## 5 Return the carriage to the station position.



### For the adjusting lever and the range

Height-adjusting lever	Head height	Switching area
Thin	2mm (The set position at shipping)	Switch by user
Thick	3mm	



- Set the lever to "Thick" when a thicker media such as a tarpaulin or FF is used.
- Set the lever to the lower stage (Thick) if dust is likely to gather in the head or the head is likely to rub on the media to leave ink on it.



- If solvent ink is selected, do not use with H range. It adversely affects the image quality.
- When using the media of 1mm thickness or below and BS ink, be sure to set the head height to "Thin".
- If using with the head height "Thick", as the head gap (between the media and the height of head nozzle surface) can be too large and ink drops may be splashed, the image quality cannot be assured.



## Note for media setting

When setting media, read the following notes carefully.



- Take care not to drop the media on a foot or so when the media is set. It may cause an injury due to the media.
- When setting a heavy roll media, work by two or more people. Otherwise, you may hurt your back by the weight of the roll media.
- Handle the clamp lever carefully.  
It is dangerous to push the lever up when the tension-bar is lifted. Be sure to fix the tension-bar with the lock and push up / down the lever.



- In the following cases, the media may not be detected correctly.
- When setting a transparent media / when a media is exposed to direct sunshine
- Do not use a printed media. Otherwise, ink can adhere to the pinch rollers and media may be stained or may not be detected.
- Straighten the significantly or internally curled media to be fed along the platen.
- If the media is left set on the machine for a long time, the media may form an irregular surface for the heat from the print-heater. If printing on such an irregular surface, the head may rub on the media. If an irregular surface is found on the media, feed the media with the  key to avoid printing on the irregular surface, and set a new origin. ( P.2-28)
- Set a media in the center of the machine.  
This machine can print on the media set on the right side, however, some types of media may be fed on a skew or stick on the platen. By setting media in the center of this machine, it stably feeds the media.

## Setting a heavy-duty roll media

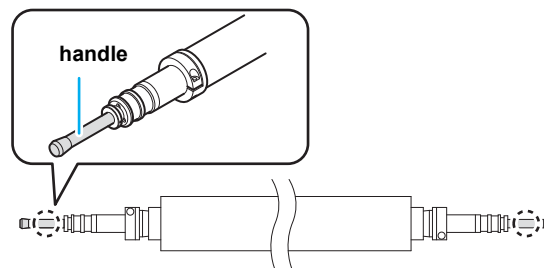
There are two types of roll media; with 1.6m or more wide called “heavy-duty roll media” and with less than 1.6m called “narrow roll media”.  
This section explains how to set “heavy-duty roll media” with 1.6m or more wide.

### Prepare for the heavy-duty take-up device first

Prepare for the take-up device before setting the heavy roll media.



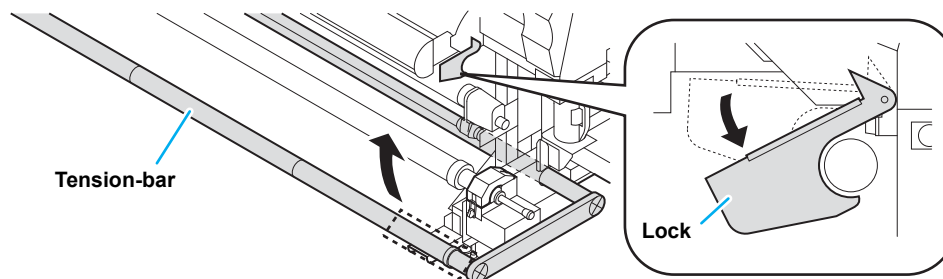
- Handle the roll shaft with care, since it is very heavy with media.  
To avoid an accident or injury, be sure to grip the handles on both ends.



**1**

### Fix the tension-bars on the front and the back of this machine at the lock position.

- The locks are on the right front and the left back of this machine.
- Lift the tension-bars and fix them with the locks.

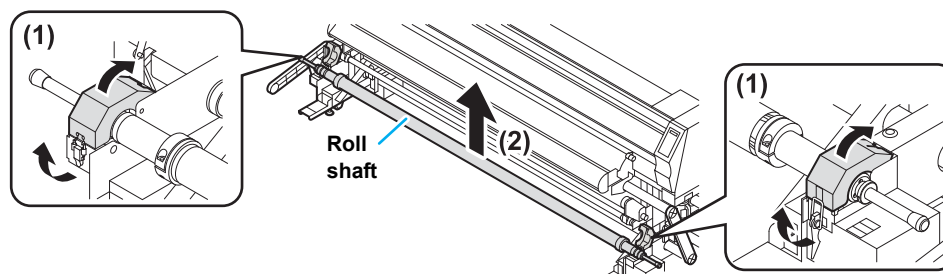


- Grip the outside of the lock of the tension-bar.  
If gripping the other parts, your hand may get stuck in.

**2**

### Remove the roll shaft on the heavy-duty take-up device at the front of this machine.

- (1) Open the covers on the right and the left of the take-up device.
- (2) Remove the roll shaft.

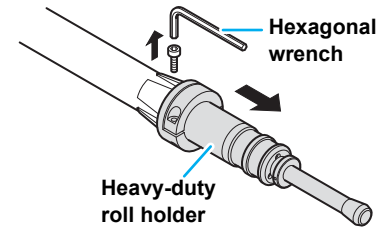


**2**

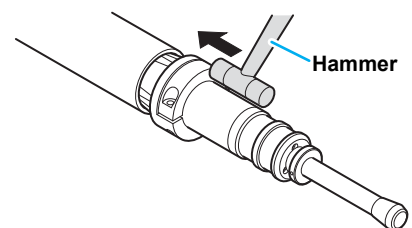
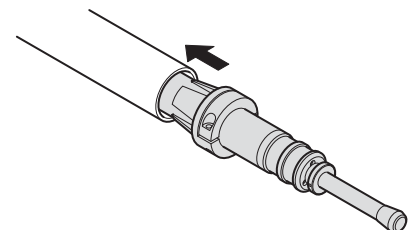
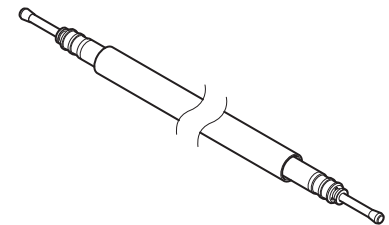
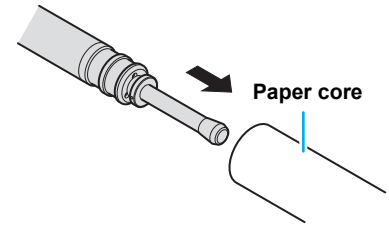
Basic Operations

**3****Remove the heavy-duty roll holders.**

- The heavy-duty roll holders are on both sides of the shaft. Remove them with the following procedures.
  - (1) Loosen the screws with the supplied hexagonal wrench.
  - (2) Remove the heavy-duty roll holders.

**4****Attach the paper core.**

- (1) Put the roll shaft through a paper core.
- (2) Slide the paper core to the center of the roll shaft.
- (3) Push the heavy-duty roll holders on both sides into the paper core.
- (4) Tap the heavy-duty roll holders with the supplied hammer to push into the paper core.

**5****Set the roll shaft with the paper core on the heavy-duty take-up device, and close the covers on both sides of the roll shaft.**

## Set a heavy-duty roll media

Set a heavy-duty roll media to the heavy-duty feeding device on the back of this machine.  
When setting a heavy-duty roll media, set "ON" on [Feeding/TakeUP] of MACHINE SETUP.



- Since the roll media is heavy, set it by two or more people. Take care not to drop it on the foot, and not to hurt your back.
- Handle the clamp lever carefully.  
It is dangerous to push the lever up when the tension-bar is lifted. Be sure to fix the tension-bar with the lock and push up / down the lever.

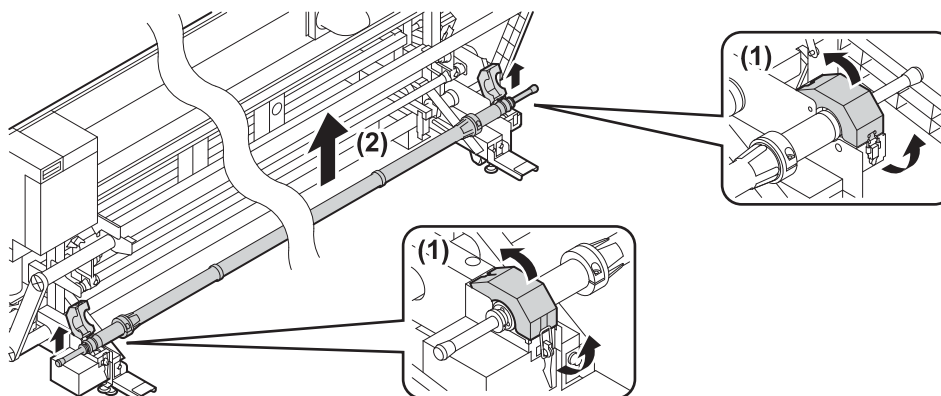
# 1

Set "ON" on [UNIT SELECT] of [Feeding/TakeUP] in MACHINE SETUP. (☞ P.3-28)

# 2

Remove the roll shaft on the heavy-duty feeding device at the back of this machine.

- (1) Open the covers on the right and the left of the heavy-duty feeding device.
- (2) Remove the roll shaft.

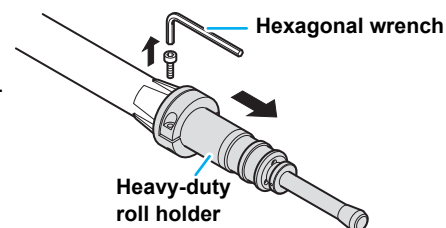


- Grip the handles on both ends of the roll shaft.  
If gripping the other parts, your hand may get stuck in.  
Be careful not to hurt your back.
- To prevent dust, set the paper core or media to the roll shaft on the table or sheet.  
Dust on the paper core or on the media may cause defective print.

# 3

Remove the heavy-duty roll holders.

- The heavy-duty roll holders are on both sides of the shaft.  
Remove them with the following procedures.
- (1) Loosen the screws with the supplied hexagonal wrench.
- (2) Remove the heavy-duty roll holders.



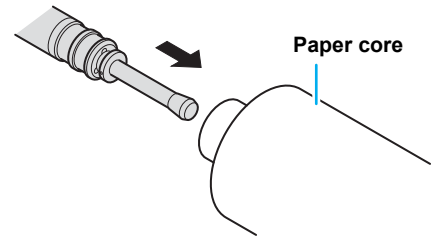
# 2

Basic Operations

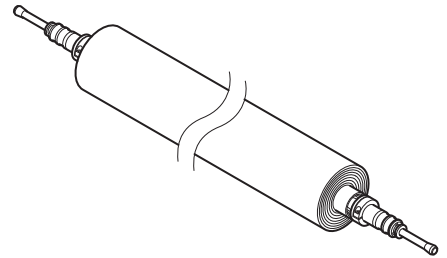
# 4

## Set a media on the roll shaft.

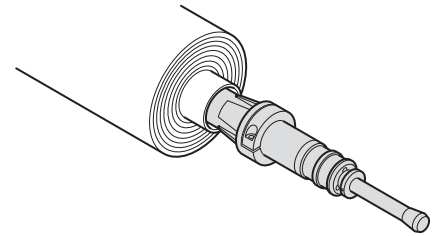
(1) Put the roll shaft through a paper core.



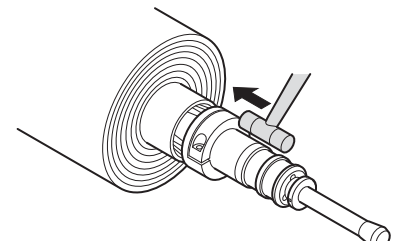
(2) Slide the media to the center of the roll shaft.



(3) Push the heavy-duty roll holders on both sides into the paper core.



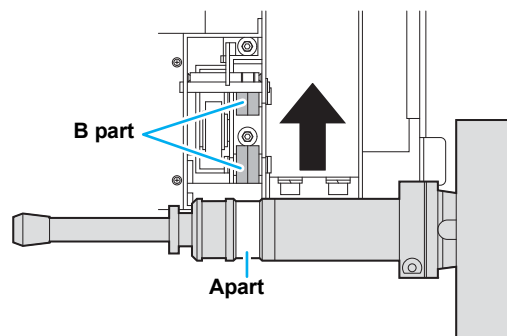
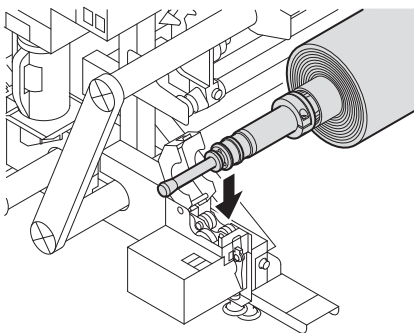
(4) Tap the heavy-duty roll holders with the supplied hammer to push into the paper core.



# 5

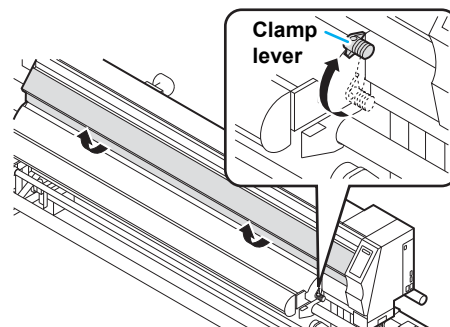
## Put the roll shaft with the media on the heavy-duty feeding device.

• Fitting the A part of the roll shaft to the B part bearing of the machine, put it on.



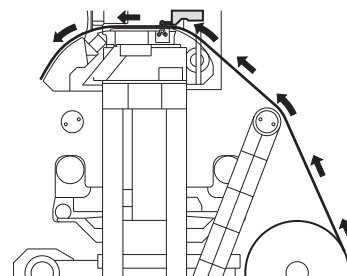
• Put the shaft on gently, not roughly.

- 6** Open the front cover and raise the clamp lever at the front of this machine.



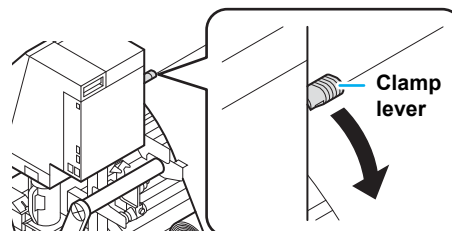
- 7** Slide the media from the back to the front.

- Insert the roll media between the platen and the pinch roller, and slide it to the front.
- Pull the media out to the front of this machine with enough length.



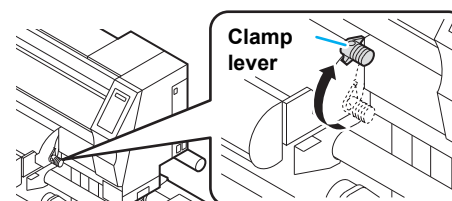
- 8** Push the clamp lever down at the back of this machine.

- Lock the media temporarily.



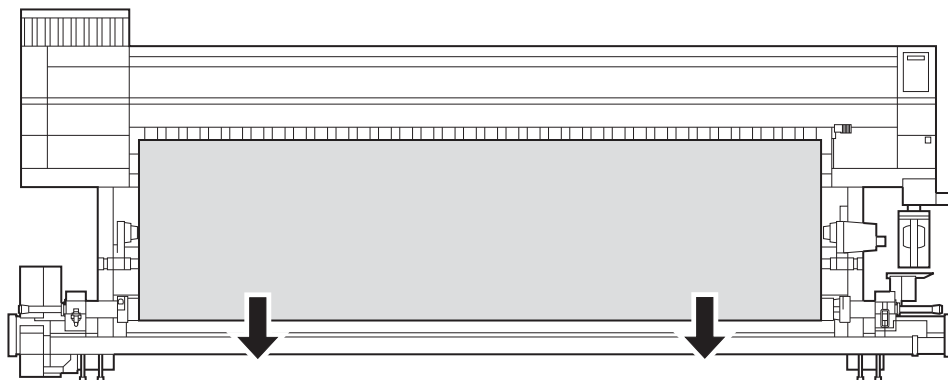
- 9** Raise the clamp lever at the front of this machine.

- Temporary lock of the media is released.



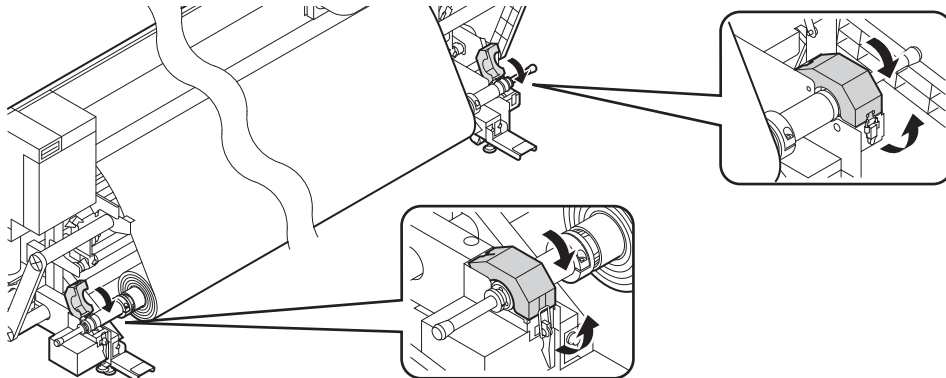
- 10** Pull out the media.

- Holding both ends of the media by two people, pull out the media end about 50cm longer than the floor.
- To set the media straight, pull out the media long.



**11**

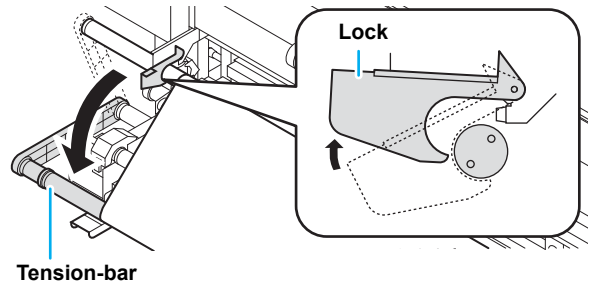
Close the covers on the right and the left sides of the heavy-duty feeding device at the back of this machine.



**12**

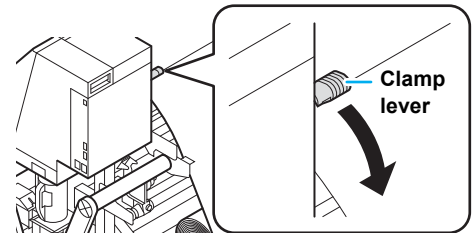
Lift the back tension-bar down to the stopper slowly to tighten the media.

- Unlock the tension-bar, and then lift it down.



**13**

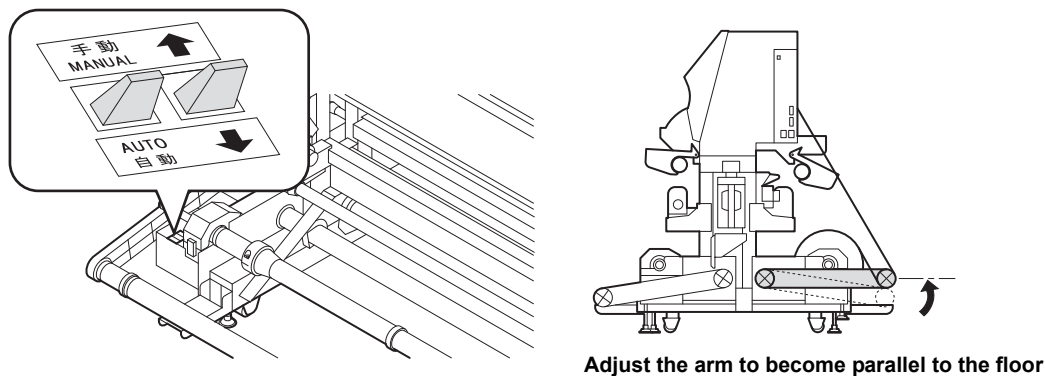
Push the clamp lever down.





## 14 Adjust the position of the tension-bar with the switches on the left of the heavy-duty feeding device.

- (1) Set the  $\uparrow\downarrow$  switches to the take-up direction of the media.
- (2) Turn the left switch to [MANUAL].
  - The tension-bar is lifted, reeling the media. When the media is fed and the tension-bar is not lifted, turn the  $\uparrow\downarrow$  switch to the other side.
- (3) When the tension-bar arm becomes parallel to the floor, turn the left switch to AUTO to stop the tension-bar.
- (4) Turn the  $\uparrow\downarrow$  switch to the feeding direction of the media.



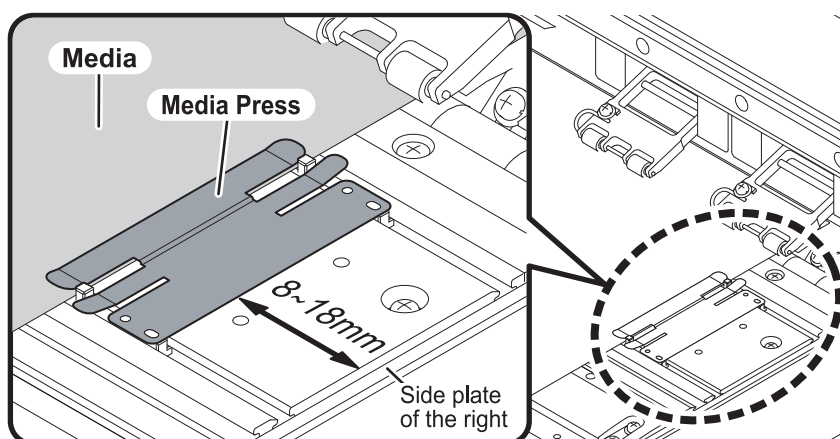
## 15 Hold the media lightly with the media press.

- Set the media not to get out of the right of the pinch roller on the right end.
- When using a thick media, remove the media press from the media before printing.



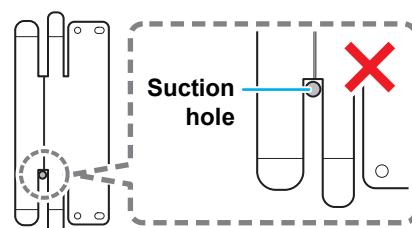
- Do not set media at the position which the media press touches the side plate on the right. As media may tilt and be lifted, it could break the head.
- If a media is misaligned to the right more than fixed position, a warning is displayed. Set the media again.

\*\*\*\*\* ERROR 50 \*\*\*\*\*  
MEDIA SET POSITION R

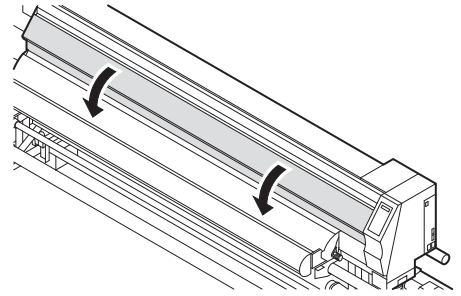


**Media press position : 8 to 18 mm from the side plate on the right.**  
(For the variation of the inside diameter of media roll, it ranges as above.)

- Do not locate the suction hole on the platen between the media and the media press. (It may stain the media.)



## 16 Close the front cover.




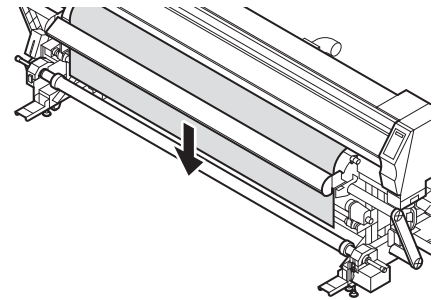
## 17 Press the key to select "ROLL" .

- Detects the media width.
- When [MEDIA RESIDUAL] of the maintenance function is "ON" (☞ P.5-36), the screen for entering media remaining amount is displayed after detecting the media width. (☞ P.2-24)

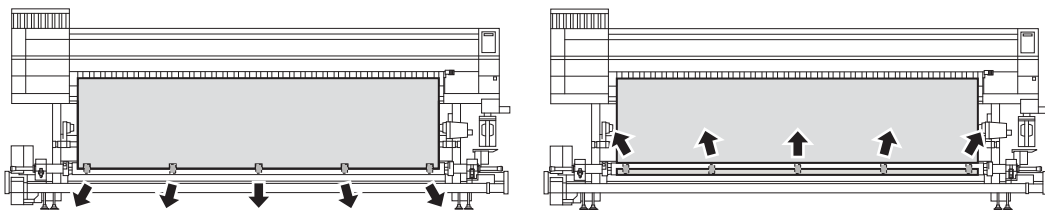


## 18 Secure the media on the take-up device. (☞ P.2-25)

- (1) Feed the media up to the core of the roll media of the take-up device by pressing the  key.




- (2) Secure the media as shown below.



## 19 Press the key to loosen the media.

- Loosen the media until it reaches to the floor.

## 20 Roll up the media around the paper core about once with the switch of the heavy-duty take-up device.

- (1) Turn the left switch to [MANUAL], and turn the right  switch to the take-up direction of the media to roll up the media.
- (2) Just before the media is stretched, turn the left switch to [AUTO] to stop.



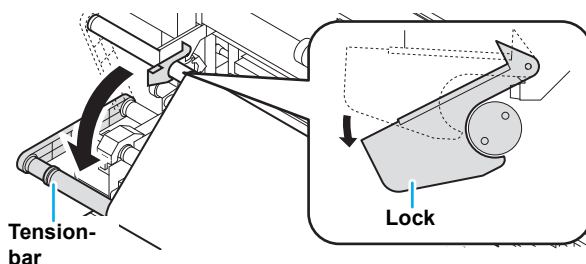
- Rolling up the media too tight, the right and the left covers of the take-up device may open and an error [Cover Open] may be displayed. In this case, open the right cover of the take-up device, and loosen the tension of the media.

## 21 Press the jog key again to loose the media.

- Loosen the media until it reaches to the floor.

**22 Lift the front tension-bar down slowly.**

- Unlock the tension-bar, and then lift it down.

**23 Press the   key to lift the tension-bar up and to stretch the loosened media.**

- Turn the switch to AUTO. The tension-bar is lifted, taking up the media, and automatically stops at the proper position.



- If the tension-bar is not lifted with   key, stretch the loosened media with the switch.

(1) Set the  $\uparrow\downarrow$  switch to the take-up direction of the media, and turn the switch to [MANUAL]. (The tension-bar is lifted.)

- When the media is fed and the tension-bar is not lifted, turn the  $\uparrow\downarrow$  switch to the other side.

(2) When the tension-bar arm becomes parallel to the floor, turn the switch to [AUTO] to stop the tension-bar.

(3) Turn the  $\uparrow\downarrow$  switch to the take-up direction of the media.

- It cannot print on the media between the take-up device and the carriage.


**Confirmation message of the take-up/feeding tension-bar**

To make use of the heavy-duty take-up/feeding device safer, a confirmation message appears on the display for the tension-bar position when operating the printer with the tension-bar lifted higher than usual.

```
Take-UP Tension-Bar
check           :ent
```

```
Feeding Tension-Bar
check           :ent
```

**1 When the message appears, check the tension-bar position and the  $\uparrow\downarrow$  switch.**

- Both the tension-bar position and the  $\uparrow\downarrow$  switch are properly set, you do not need to perform the step 2. Press the  key to continue the operation.


**2 Press the  key.**

- The next operation is cancelled. Set the tension-bar position and the  $\uparrow\downarrow$  switch properly, and perform the operation again.



- Once the tension-bar is checked, the confirmation message is not displayed from the next time. (Once the power is turned off, the message is displayed again.)



- When "HIGH" is set for the tension-bar moving position on "Perform setting of feeding and take up" of MACHINE SETUP ( P.3-28), press the  key to continue the operation even if the message above appears.

Setting the tension-bar higher than the current moving position may become load for the device and break the machine.

## Adjust the take-up/ feeding tension-bar

To take-up stably for the various media, adjust the take-up/ feeding tension-bar.

### ● Setting the active position of the take-up tension-bar (For the setting, see P.3-29)

Change the settings depending on the media type.

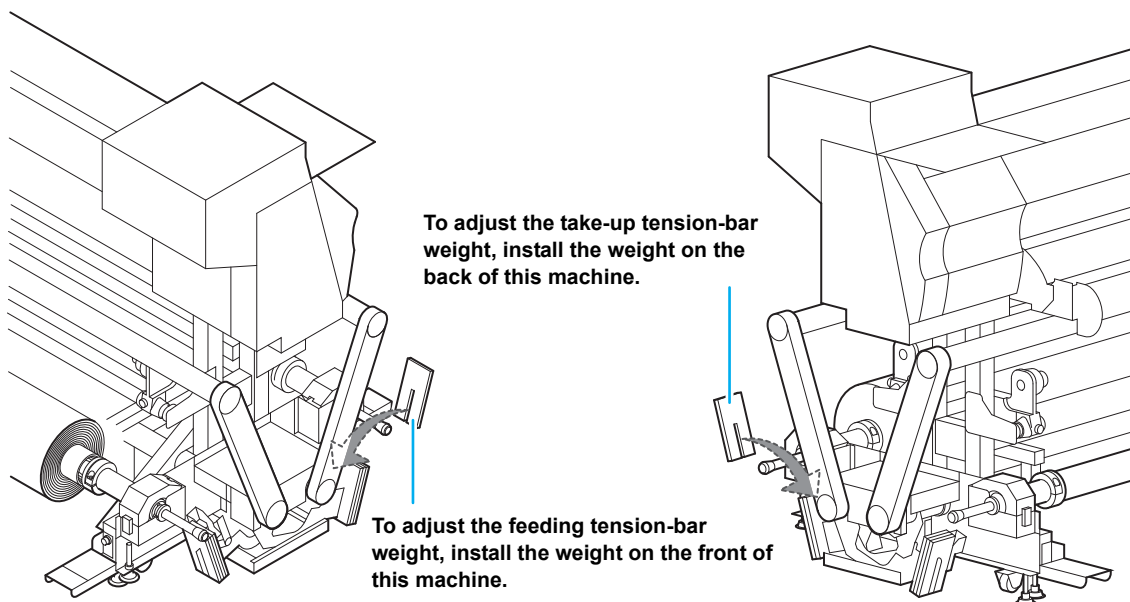
For the stretchy media, it is better to set the active position of the tension-bar to [HIGH].

Media Type	Setting	Description
FF		Set properly depending on the media.
Tarpaulin / Mesh Tarpaulin	[HIGH]	Ink-absorbable media may expand and affect feeding and take-up of the media. Setting HIGH may loosen the media turning angle at the tenion-bar, and it may feed / take up smoothly.
PVC		Set properly depending on the media.

● **Installing the counter weight for adjusting the take-up/ feeding tension-bar weight**

Install the proper number of the counter weight depending on the media type.  
The counter weight can be installed up to 14 pieces.

Media condition	Solution
For the strong tension to the media, the media wrinkles to the feeding direction of the media.	Increase the number of the counter weight to be installed, depending on the media used.
For the weak tension to the media, the media loosens and is not taken up finely.	Decrease the number of the counter weight to be installed, depending on the media used.



- The counter weight is very heavy. Handle it with care.  
If your finger or foot is stuck in the weight, you may be injured.



- If the tension-bar is highly lifted, the tension-bar becomes heavy.  
(The actual weight of the tension bar is weighted.)
- Not to lose the unused counter weight, put it in the storage box.

## Setting a narrow roll media

**Important!**

- Set the media with less than 1.6m wide on the narrow roll holder.

**1**

**Fix the tension-bars on the front and the back of this machine at the lock position.**

- The locks are on the right front and the left back of this machine.
- Lift the tension-bars and fix them with the locks



- Grip the outside of the lock of the tension-bar. If gripping the other parts, your hand may get stuck in.

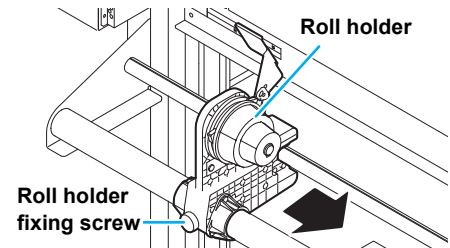
**2**

**Set "OFF" on [UNIT SELECT] of [Feeding/TakeUP] in MACHINE SETUP. (P.3-28)**

**3**

**Move the roll holder on the back of this machine.**

- Loosen the roll holder fixing screw and then move it.
- Move the roll holder to set the media in the center of this machine.



**4**

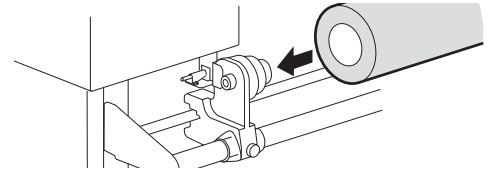
**Tighten the roll holder fixing screw.**

- Check the Step 2 to 3 again.

**5**

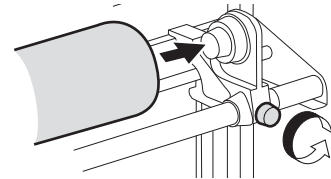
**Set the left end of the core of the roll media on the left roll holder.**

- Push the roll media onto the roll holder until the roll core is all the way seated.



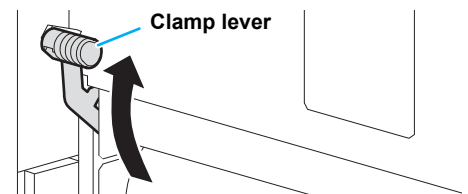
**6**

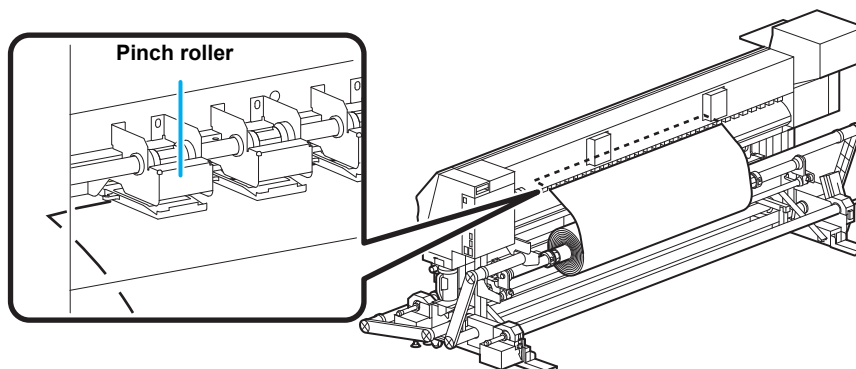
**Loosen the screw of the right side roll holder then insert the holder into the core of the roll media.**



**7**

**Raise the clamp lever in the front of this machine.**

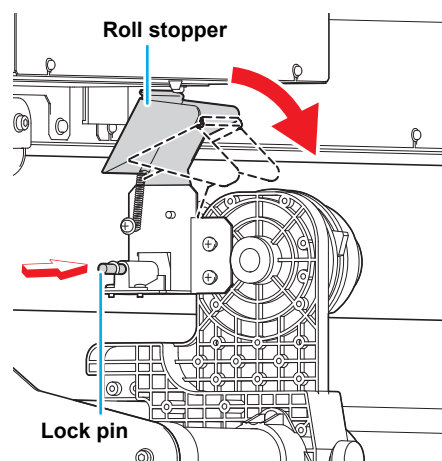


**8****Insert the roll media in this machine.**

- The roll media can be smoothly inserted by slanting the media.
- (1) Pull the media out of the roll to the head of the platen.
- (2) Insert the media between the platen and the pinch roller.
  - Pull the media out of the roll so that the media can be grasped from the front of the machine.
- (3) Push down the clamp lever from the back of this machine.
  - The media is held.

**9****Lock the roll stopper.**

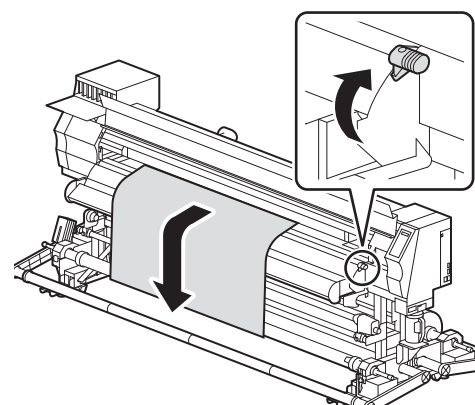
- (1) Turn the roll stopper to the arrow direction shown on the right.
- (2) Push the lock pin and fix it.

**2**

Basic Operations

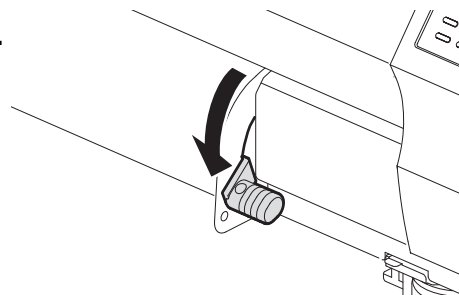
**10****Pull out the roll media out.**

- (1) Open the front cover.
- (2) Raise the clamp lever from the back of this machine.
- (3) Pull out the roll media gently and then stop pulling when locked lightly.



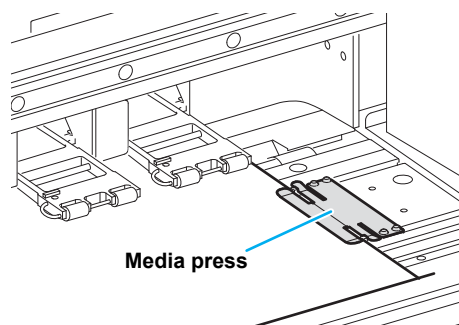
## 11 Make the roll media even then lower the clamp lever.

- Pulling several positions of the media lightly, Lower the clamp lever after confirming that the amount of the roll media pulled out is almost even.



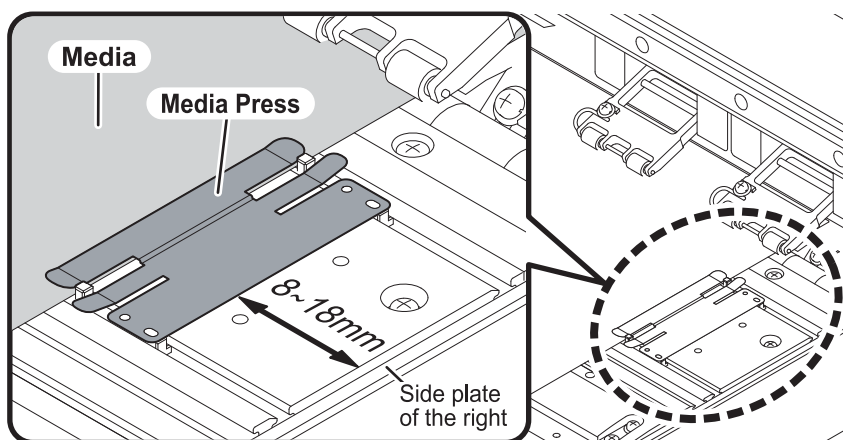
## 12 Hold the media with the media press gently.

- Set the media so that no media sticks out from the right end pinch roller to the right side.
- When using a thick media, remove the media press from the media before printing.



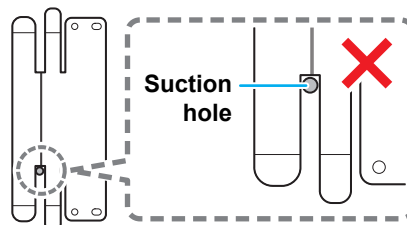
- Do not set media at the position which the media press touches the side plate on the right. As media may tilt and be lifted, it could break the head.
- If a media is misaligned to the right more than fixed position, a warning is displayed. Set the media again.

\*\*\*\*\* ERROR 50 \*\*\*\*\*  
MEDIA SET POSITION R



**Media press position : 8 to 18 mm from the side plate on the right.**  
(For the variation of the inside diameter of media roll, it ranges as above.)

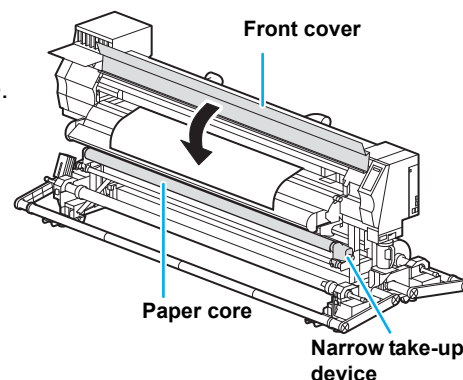
- Do not locate the suction hole on the platen between the media and the media press. (It may stain the media.)





**13 Prepare for the narrow take-up device.**

- (1) Set an empty core of the roll media on the take-up device.
- (2) Close the front cover.



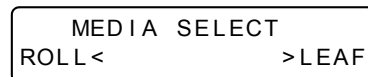
- Use the narrow take-up device to set the media with less than 1.6m wide.
- When setting a long paper core, the supporter of the roll holder may be stuck in the center of the guide rail.

In this case, follow the procedures below.


- (1) Loosen the fixing screw of the supporter, and push the arm down.
- (2) Slide the roll holder.
- (3) Raise the arm, and tighten the fixing screw of the supporter.

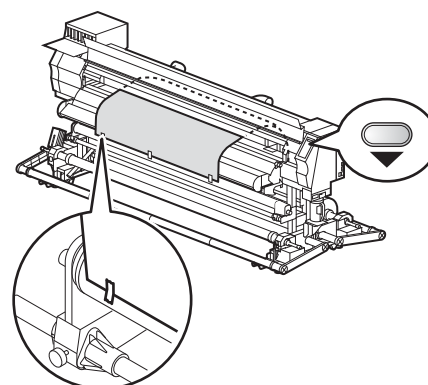
**14 Press the  key to select "ROLL" .**

- Detects the media width.
- When [MEDIA RESIDUAL] of the maintenance function is "ON" (P.5-36), the screen for entering media remaining amount is displayed after detecting the media width. (P.2-24)

**15 Fix the media on the narrow take-up device.**

(P.2-25)

- (1) Feed the media up to the core of the roll media of the take-up device by pressing the  key.
  - Check the media end is not caught into the slot on the post-heater, and then feed the media.
- (2) Fix the middle of the media with adhesive tape.
- (3) In the same manner, fix the left side and right side of the media.
  - Make sure that there is no slack or wrinkle on the media in such condition that the roll media is pulled to right and left evenly, and then stick the tape.



## Entering the media remaining amount

When [MEDIA RESIDUAL] of the maintenance function is "ON" (☞ P.5-36), the screen for entering media remaining amount is displayed after detecting the media width.

**1** Display the screen for entering media remaining amount.

Input of MediaLength  
MEDIA LENGHT =xxx.xm

**2** Press  and  key to enter the media remaining amount.

Input of MediaLength  
MEDIA LENGHT = 50.0m

**3** Press the  key.

## Narrow take-up device

With the switch of the narrow take-up device, select the take-up direction of the media or others.

Lever in top position (REVERSE) :

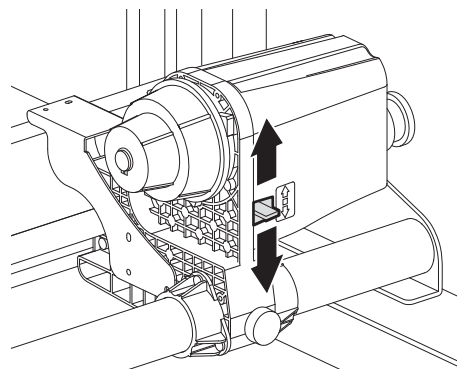
The take-up device winds the media with the printed side facing in.

Lever in middle position (OFF) :

The take-up device does not wind the media.

Lever in bottom position (FORWARD) :

The take-up device winds the media with the printed side facing out.



## Setting the torque limiter

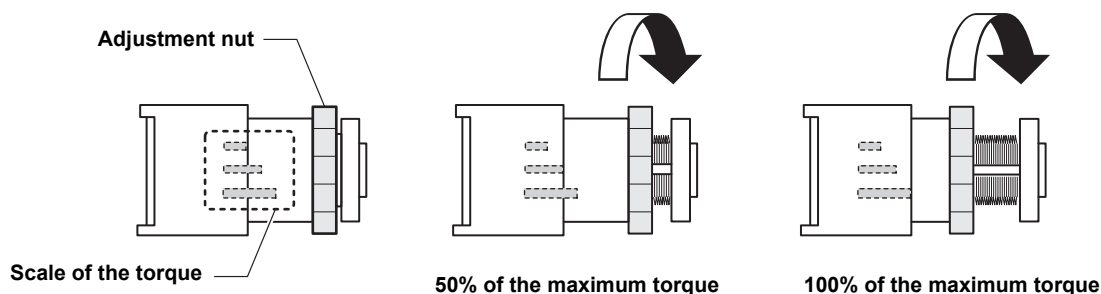
The take-up device is provided with a torque limiter.

The take-up torque can be adjusted with the torque limiter.

(The torque limiter is set at the maximum value when shipped from the factory.)

If the tension is too strong to use a thin sheet of media, lower the take-up torque with the torque limiter.

- Clockwise turn :  
Increases torque (a heavy and thicker media such as tarpaulin or the like)
- Counterclockwise turn :  
Decreases torque (For light media)



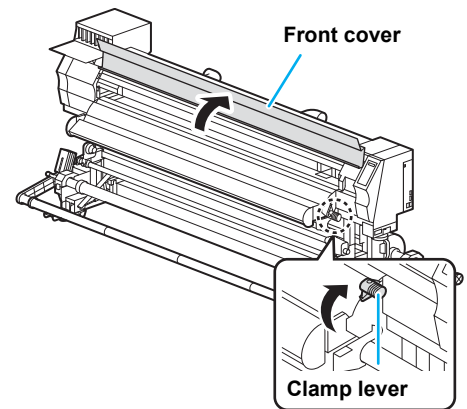
**Important!**

- **When the torque limiter is adjusted too weak ;**  
The media can not be taken up firmly.
- **When the torque limiter is adjusted too strong ;**  
The slack may occur depending on the media and cause influence on the image quality.

## Setting leaf media

Unlike roll media, leaf media does not need to be retained with the roll holders.

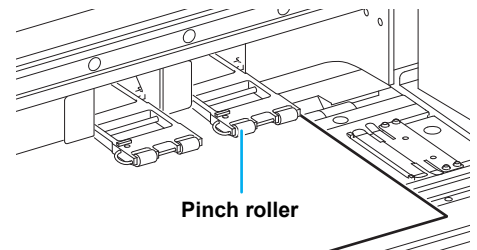
**1** Open the front cover.



**2** Raise the clamp lever.

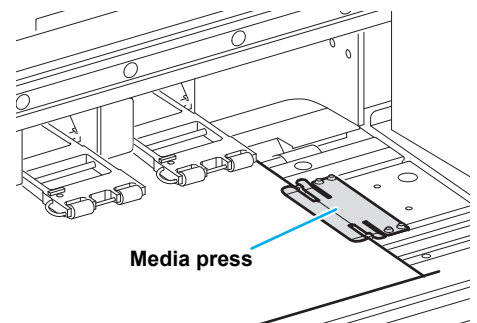
**3** Insert the leaf media between the platen and the pinch rollers.

- Set the media so that no media sticks out from the right end pinch roller to the right side.
- Set the media so that the media end does not reach the slot of the post-heater.



**4** Hold the media with the media press gently.

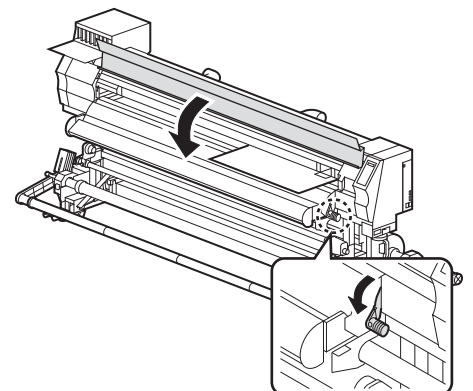
- Set the media so that no media sticks out from the right end pinch roller to the right side.
- When using a thick media, remove the media press from the media before printing.



**5** Push down the clamp lever.

- Set the media straight.

**6** Close the front cover.



**7** Press the **ENTER** key.

**8** Press the **▶** key to select "LEAF".

MEDIA SELECT  
ROLL< >LEAF

**9** The media detection is started.

- (1) The media width is detected.
- (2) The media is fed then the rear end of media is detected.
- (3) It returns to the local mode when the detection is completed.

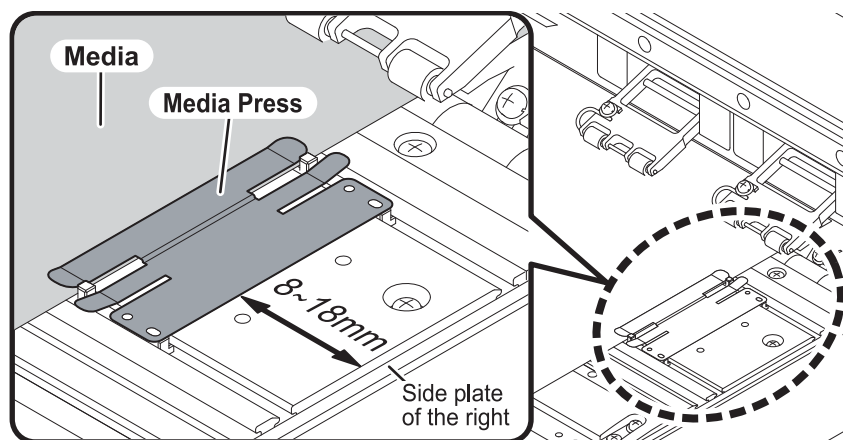
DETECTING MEDIA NOW  
PLEASE WAIT

### Notes when using media press



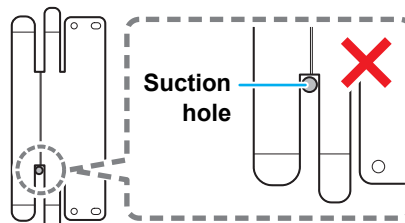
- Do not set media at the position which the media press touches the side plate on the right. As media may tilt and be lifted, it could break the head.
- If a media is misaligned to the right more than fixed position, a warning is displayed. Set the media again.

\*\*\*\*\* ERROR 50 \*\*\*\*\*  
MEDIA SET POSITION R



**Media press position : 8 to 18 mm from the side plate on the right.**  
(For the variation of the inside diameter of media roll, it ranges as above.)

- Do not locate the suction hole on the platen between the media and the media press. (It may stain the media.)



## Changing the printing origin

The position of the printing origin can be changed.  
Moving the LED pointer to the changing position and deciding the position.



- The origin position set above misaligns with the feeding direction of a media by a few centimeters. Turn [FEED ORIGIN] "ON" in setup mode to fit the origin to the correct light position of LED pointer. (P.3-4)

### When the heavy-duty feeding / take-up device is not used





1





In the local mode, press the     keys.

- It enters into the origin setting mode.

```
ORIGIN SETUP
0 . 0      - - - -
```

2

Set a light point of the LED pointer to the changing position by pressing the     keys.

- Select the carriage and media, moving the point with the     keys.

```
ORIGIN  SETUP
0 . 0    0 . 0
Origin   Origin
(Length) (Width)
```

3

After determining the origin, press the  key.

- The printing origin is changed.

```
ORIGIN SETUP
** ORIGIN **
```



## When the heavy-duty feeding / take-up device is used

**1** In the local mode, press the   keys.

- It enters into the origin setting mode.

```
ORIGIN SETUP
0.0  ----
```

**2** Press the   keys to determine the moving direction of the origin.

- To move to the front of the current origin : Press the .
- To move to the back of the current origin : Press the .



Move the origin to the front

```
FEED DIRECTION SET
[FORE FEED]
```

Move the origin to the back

```
FEED DIRECTION SET
[BACK FEED]
```

**3** Press the   keys again to determine the origin of the feeding direction.

- Press the same   keys as the keys determined on Step 2. If different key is pressed, only the moving direction of the origin changes without changing the origin.


Move the origin to the front

```
ORIGIN SETup:FORE
0.0  ----
```

Move the origin to the back

```
ORIGIN SETup:BACK
0.0  ----
```

**4** Press the   keys to determine the origin of the width direction.

**5** After determining the origin, press the  key.

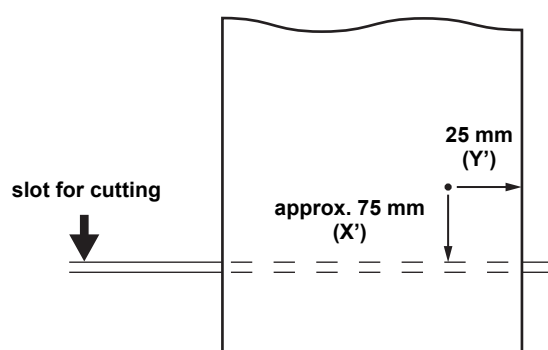
- The origin is changed.

```
ORIGIN SETUP
** ORIGIN **
```

## Typical setting position of printing origin

The printing origin in the depth direction (X') is positioned at about 75 mm rearward from the slot for cutting on the platen. The printing origin in the scanning direction (Y') is positioned at 25 mm from the right end of the media. The value in the scanning direction (Y') can be changed using [MARGIN] in FUNCTION mode. (P.3-3)

This can be changed by using the Jog key.



# Preparing Heaters

## Changing temperature settings of Heater

The set temperature of Heater can be changed and stored by [HEATER] of the setup mode. (☞ P.3-8)  
The adjusting procedures of the temperature set in the setup mode are described below.

Set the Heater temperature according to the media used.

- The Heater temperature has been set to "OFF" when purchased.
- Proper temperature adjustment is enabled since the temperature is adjustable even in drawing.
- It may take several minutes to several ten minutes to reach the set temperature depending on the environmental temperature.

**1** Press the **HEATER** key.

PRE	PRT	POST
35 °C	40 °C	50 °C

Heater temperature  
confirming display

**2** Press the **HEATER** key.

40 °C	40 °C	50 °C
( OFF	OFF	OFF )

Temperature set in [HEATER]  
of the type registration

**3** Set the temperature of each Heater by pressing the **▲▼◀▶** keys.

Heater selecting : Select with the **◀▶** keys  
Temperature setting : Set with the **▼▼** keys

The set temperature: 20 to 50°C

40 °C	40 °C	50 °C
( OFF	OFF	OFF )

- Heating of Heater starts. (The [HEAT] lamp lights in orange.)

**4** Heater heating ends.

- The [HEAT] lamp goes out then the [CONSTANT] lamp lights in green when the Heater temperature reaches the set temperature.

**5** Press the **ENTER** key to end.

- It returns to the local mode.



- The Heater temperature is registrable beforehand according to the media to be used. (☞ P.3-2 "Registering the drawing conditions together (Type registration)")
- The temperature set by the operations above does not reflect the Heater set temperature of the type registration. The set continues until the power is turned off or the temperature is newly set according to the following conditions.
  - (1) Change the type of the setup mode.
  - (2) Change the Heater temperature of the setup mode.
  - (3) Designate the Heater temperature from the PC.
- The Heater temperature is controllable at the RIP side if the RIP in use has a function controllable. (For the setting procedures, refer to the instruction manual of the RIP in use.)

**Important!**

- Use this machine under 20 to 35°C. The temperature may not reach the set value due to the environmental temperature condition.



## Reference for the temperature set (When solvent ink is used)

Type of ink	BS* ink
Type of media	All medias
Set of the Pre-heater	35°C
Set of the Print-heater	35°C
Set of the Post-heater	50°C

**Important!**

- Adjust it to suitable temperature depending on the media condition.

## Confirming the Heater temperature

**1**

Press the **HEATER** key on the operation panel.

- The current Heater temperature is displayed.

PRE	PRT	POST
35 °C	40 °C	50 °C

**2**

Press the **END** key at the end of confirmation.

- It returns to the local mode.

**2**

Basic Operations

# Test printing

Perform the test printing to check if printing failures (blurring or missing) due to nozzle clogging or the like occur on the printed.

## Test printing

Important!

- When a leaf media is used, set a larger media than the A4 size in longitudinal feeding.
- When a roll media is used, rewind the roll media by hands prior to printing so that it is set in the tightened condition. The loosened may result in failures of the image quality.

### Check before the test printing

- If a media has been set. (👉 P.2-6)
- If the origin position has been set.
- If the head gap has been adjusted. (👉 P.2-6)

# 1

In the local mode, press the **TEST DRAW** key.

```
TEST DRAW  
(FEED DIR.) <ENT>
```

- Press **▲** and **▼** key to change the test pattern deployment direction. The deployment direction changed here returns to the direction set in P.3-45 after test printing.
- When performing test printing after changing the deployment direction from “SCAN DIR.” to “FEED DIR.”, the line will be fed to the position of the first test printing.
- For the detail of the deployment direction of the test printing, see P.3-45.

# 2

Press the **ENTER** key.

- This machine starts printing the test pattern.
- After performing test printing, this machine returns to LOCAL mode.

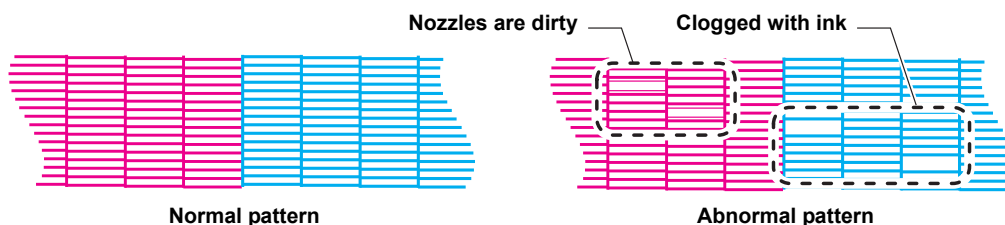
```
** TEST DRAW **
```

```
<LOCAL . 1> [ # 0 1 ]  
width : * * * * mm
```

# 3

Check the printed test pattern.

- Finish the operations when it is in normal.
- Execute the head cleaning when it is in abnormal. (👉 P.2-33)



## Head cleaning

Three head cleaning types are available. Select it depending on the result of pattern drawings.

- NORMAL** : Select this if any line is missing.
- SOFT** : When only head wiping is desirable. (in case of bent lines)
- HARD** : Select this if inferior printing cannot be improved even by [NORMAL] or [SOFT] cleaning.

**1** In the local mode, press the **CLEANING** key.

CLEANING TYPE : NORMAL

**2** Select the cleaning type by pressing the **▲ ▼** keys.

CLEANING TYPE : HARD


**3** Press the **ENTER** key.

- The rest of the cleaning time is indicated at the lower of the display.
- On completion of cleaning, this machine returns to LOCAL mode.

CLEANING ACTIVE  
00 : 00

**4** Perform test printing again, and check the result.

- Repeat the cleaning and the test printing until the drawing result becomes in normal.

-  **When the image quality is not improved after the head cleaning.**
- Clean the wiper and ink cap. (☞ P.5-5)
  - Wash the head nozzle. (☞ P.5-10)
  - Solve the failure of the image quality, referring to "When Nozzle clogged after cleaning". (☞ P.5-21)

### When 600cc cartridge is used

- **Even when [Ink Level] is displayed, enough ink for head cleaning may remain in the ink pack.**  
When [Ink Level] appears, see "When [Ink Level] is displayed" in the provided manual "When using 600 cc cartridge" and enter the current weight of the 600cc cartridge.
  - **When the remaining ink is not enough for head cleaning**  
When the remaining ink is not enough for head cleaning, an error shown on the right appears on the step 3. Replace with a new ink pack, and then perform head cleaning again.
- \*\*\* 600cc Error \*\*\*  
shortage of ink.

# Drawing data

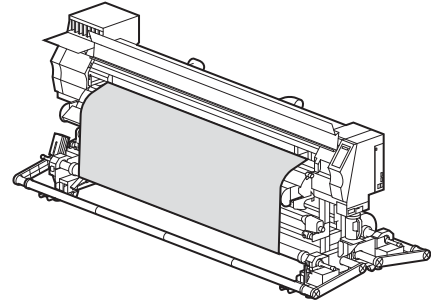
## Starting the print

**Important!**

- When a roll media is used, rewind the roll media by hands prior to printing so that it is set in the tightened condition. The loosened may result in failures of the image quality.

**1**

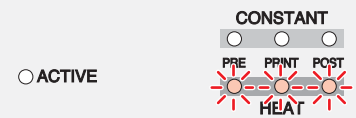
**Set the media.** (☞ P.2-6)



**2**

**Check the heater temperatures.**

- Confirm that the CONSTANT lamp lights in [PRE], [PRINT], [POST] below the display.



**3**

**Press the **REMOTE** key in the local mode.**

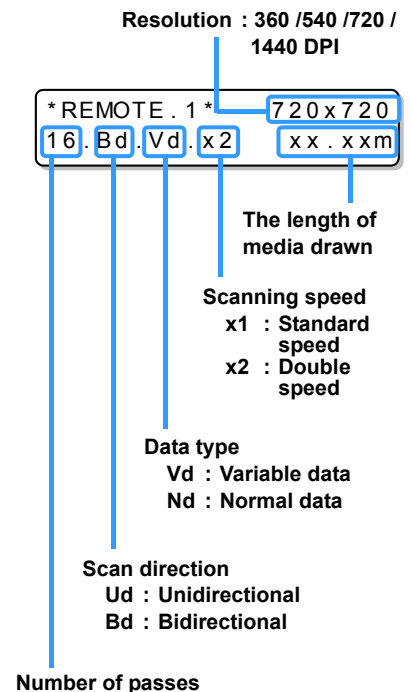
- It enters the remote mode and enables to receive the data from the PC.

TEMPERATURE CONTROL!  
PLEASE WAIT

**4**

**Send the drawing data from the PC.**

- The ACTIVE lamp blinks and the drawing condition is displayed.
- For the method of data transmission, refer to the instruction manual for the output software.



**5**

**This machine starts printing.**

- The printing speed may vary due to the set media width or the position of print origin even when the same data is printed, depending on resolution.

## Stopping the print temporarily

Perform the following operations when stopping the print halfway.

# 1

Press the **REMOTE** key in printing.

- The printing operation is interrupted.
- Interrupt data sending at the PC side during the data is sent from the PC.
- Printing restarts from the interrupted data by repressing the **REMOTE** key.

```
<LOCAL . 1>      [#01]
                width : 1272mm
```

## Erasing the received data (Data clear)

Erase only the received data to stop the printing.

# 1

Press the **DATA CLEAR** key in the local mode.

```
DATA CLEAR      <ENT>
```

# 2

Press the **ENTER** key.

- The ACTIVE lamp goes out.
- The received data is erased then it returns to the local mode.

```
** DATA CLEAR **
```

# 2

Basic Operations

## Cutting a media

For a roll media, two ways are available to cut the media after printing is completed, as follows.

**Important!**

- Pay attention so that printed surface does not touch to a floor or other printed surfaces when the media is cut.
- When the take-up device is used, roll up the cut media by operating a switch of the take-up device.

### Auto cut

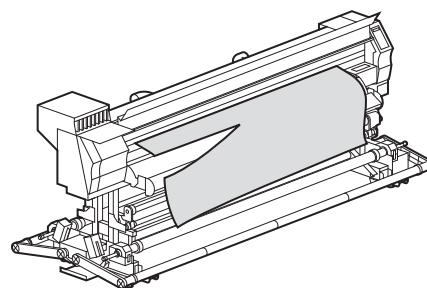
A media is automatically cut after printing is completed.



- For the Auto cut function, it is required to set. (The Auto cut function is set to "OFF" when purchased.)
- When using the narrow take-up device, take up a cut medium using the switch of the take-up device.
- When using the tension bar of the heavy medium take-up device, the cut function cannot be used because of safety.

# 1

**Cut the media automatically after printing is completed.**




### Manual cut

Cut the media at an optional position by using the keys on the operation panel.

# 1

**Press the     keys in the local mode.**

- It enters the printing origin setting mode.
- Feed the media to the position to cut by pressing the  key.

ORIGIN SETUP  
0.0 ----

# 2

**Press the  key.**

MEDIA CUT  
<ENT>

# 3

**Press the  key.**

- This machine cuts the media.
- It returns to the local mode after cutting is completed.

MEDIA CUTTING  
PLEASE WAIT

# CHAPTER 3

## Convenient use



This section describes the operation procedures for using the machine more conveniently and each setting procedure.

<b>User type</b> .....	<b>3-2</b>	<b>Machine settings</b> .....	<b>3-26</b>
Registering the drawing conditions together (Type registration) .....	3-2	Setting the deodorize fan .....	3-27
Registering Type .....	3-2	Perform setting of feeding and take up .....	3-28
<b>Setting media compensation</b> .....	<b>3-5</b>	Setting Dryness feeding .....	3-30
Setting media compensation .....	3-5	Setting Stamp .....	3-31
<b>Changing the set value of Heater</b> .....	<b>3-8</b>	When using 600 cc cartridge (firmware Ver.3.10 or older ) .....	3-32
Changing temperature settings of Heater .....	3-8	When using 600 cc cartridge (firmware Ver.3.20 or later) .....	3-38
Adjusting suitable temperature adjustment .....	3-10	Setting Test draw arrange .....	3-45
In case the heater temperature is too low .....	3-11	Change the operation condition of the room temperature .....	3-46
<b>Setting print mode</b> .....	<b>3-12</b>	Setting confirmation feeding .....	3-47
Setting of the print quality .....	3-12	Setting time .....	3-48
Setting scanning direction .....	3-14	Setting Unit .....	3-49
Setting Logical-seek .....	3-15	Setting Machine name .....	3-50
<b>Setting drying time</b> .....	<b>3-16</b>	Setting Key buzzer .....	3-51
<b>Setting margins</b> .....	<b>3-17</b>	<b>Extension of Ink Expiry Month</b> .....	<b>3-52</b>
<b>Setting Priority</b> .....	<b>3-18</b>	Extension of Ink Expiry Month .....	3-52
<b>Setting Auto cleaning</b> .....	<b>3-19</b>	<b>Switch Setting of Ink Supply Path</b> ...	<b>3-54</b>
<b>Setting cleaning while printing</b> .....	<b>3-21</b>	<b>Confirming machine information</b> .....	<b>3-56</b>
<b>Setting media detection</b> .....	<b>3-22</b>	Displaying Information .....	3-56
<b>Other settings</b> .....	<b>3-23</b>		
<b>Initializing the settings</b> .....	<b>3-25</b>		

## Registering the drawing conditions together (Type registration)

The drawing conditions are registered in each type (1-4).

The most suitable drawing conditions are settable only by changing the type when replaced by a different type of media, if the drawing conditions that meet the media to be used have been registered in the type.

### Example of type registration

	When solvent ink is used.
Type 1	For Tarpaulin 1
Type 2	For Tarpaulin 2
Type 3	FF (Flexible Face)
Type 4	PVC

## Registering Type

- 1** Press the **FUNCTION** key in the local mode.

```
FUNCTION
SETUP          <ENT>
```

- 2** Press the **ENTER** key.

```
SETUP
SELECT        : TYPE . 1
```

- 3** Select the type (1-4) by pressing the **▲** **▼** keys then the **ENTER** key.

- 4** Select and set each item of the list of **SET UP** functions.

• For the detailed setting procedures, refer to reference pages described in "List of functions".



## List of functions

This section describes the outline of each SET UP function registerable to the user type and the setting value. The underlined has been set when purchased.

Function name		Set value	Outline
MEDIA COMP. (☞ P.3-5)		-255 ~ <u>0</u> ~ 255	Prints a pattern to correct the feeding rate of media and corrects it.
HEATER (☞ P.3-8)	SET TEMP	Pre-Heater	OFF/ 20 ~ 50°C (OFF/ 68 ~ 122°F)
		Print Heater	OFF/ 20 ~ 50°C (OFF/ 68 ~ 122°F)
		Post Heater	OFF/ 20 ~ 50°C (OFF/ 68 ~ 122°F)
	SET TIME	STANDBY	( <u>NONE</u> / 0 ~ 90 min 10min unit)
OFF TIME		( <u>NONE</u> / 0 ~ 90 min 10min unit)	
PRINT MODE (☞ P.3-12)	DRAFT Quality		<u>STD</u> / FAST / FINE
	FINE Quality		<u>STD</u> / FAST / FINE
	SCAN DIRECTION		<u>Bi-D</u> / Uni-D
	LOGICAL SEEK		<u>ON</u> / OFF
INK LAYERS (☞ P.3-23)		<u>1</u> ~ 9	Sets the number of layers in which ink is to be applied.
DRYING TIME (☞ P.3-16)	SCAN	<u>0.0</u> ~ 19.9 sec	Sets the time to wait for ink drying.
	Draw. END	<u>0</u> ~ 999 sec	
AUTO CUT (☞ P.3-23)		ON / <u>OFF</u>	Cuts the media automatically after printing.
PRE-FEED (☞ P.3-23)		ON / <u>OFF</u>	Feeds the media back and forth before printing. When sticky media is used, select ON.
MARGIN (☞ P.3-17)	LEFT	-10 ~ <u>0</u> ~ 85mm (1mm unit)	Sets a non-printing area along the right and left edges of the media.
	RIGHT	-10 ~ <u>0</u> ~ 85mm (1mm unit)	
COLOR PATTERN (☞ P.3-23)		ON / <u>OFF</u>	Prints a color pattern for nozzle missing check near the right edge of the media.
REFRESH (☞ P.3-23)		Level <u>0</u> (Refresh interval long) ~ 3 (Refresh interval short)	Refreshes the print heads during printing.
VACUUM (☞ P.3-23)		OFF / STANDARD / WEAK / Little WEAK / STRONG	Sets the absorbability of the media.
FeedSPEED LEVEL (☞ P.3-23) *1		10 ~ <u>100</u> ~ 200% 10% .....6mm/sec 100% .....60mm/sec 200% .....120mm/sec	Changes the media feeding speed in printing.

\*1. When "ON" is set to "Select device" in "Setting of feeding and take up" of the machine setting, the feeding speed is limited on max.150%.

Function name		Set value		Outline
PRIORITY (☞ P.3-18)		INDIVIDUALLY/ <u>ALL HOST</u> /ALL PANEL		<p>Sets the priority of settings (host / panel)</p> <p>Sets each item of the followings individually when the individual setting is selected.</p> <ul style="list-style-type: none"> <li>• MEDIA COMP.</li> <li>• HEATER</li> <li>• PRINT MODE</li> <li>• INK LAYERS</li> <li>• DRYING TIME</li> <li>• AUTO CUT</li> <li>• PRE-FEED</li> <li>• MARGIN</li> <li>• COLOR PATTERN</li> <li>• REFRESH</li> <li>• VACUUM</li> <li>• FeedSPEED LEVEL</li> </ul>
AUTO CLEANING (☞ P.3-19)	ON	INTERVAL	10 ~ <u>1000</u> ~ 10000 mm	Sets the auto cleaning of the print head every completion of printing.
		TYPE	<u>NORMAL</u> / SOFT / HARD	
	OFF			
Print. CLEANING (☞ P.3-21)	ON	INTERVAL	10 ~ <u>1000</u> ~ 10000 mm	Sets the auto cleaning of the print head in printing.
		TYPE	<u>NORMAL</u> / SOFT / HARD	
	OFF			
MEDIA DETECT (☞ P.3-22)	DETECT METHOD		<u>SELECT</u> / WIDTH	Sets the method for detecting the media.
	CUTTING DETECT		NONE / <u>BOTH EDGE</u> / LEFT EDGE / RIGHT EDGE	
FEED ORIGIN (☞ P.3-23)		ON / <u>OFF</u>		Setting the media feeding direction to LED pointer when changing the printing origin position.

# Setting media compensation

Correct the feeding rate of media after the type of media is replaced or the temperature of Heater is changed. If the correction value is not appropriate, stripes may appear on the print, thus resulting in a poor print.

**Important!**

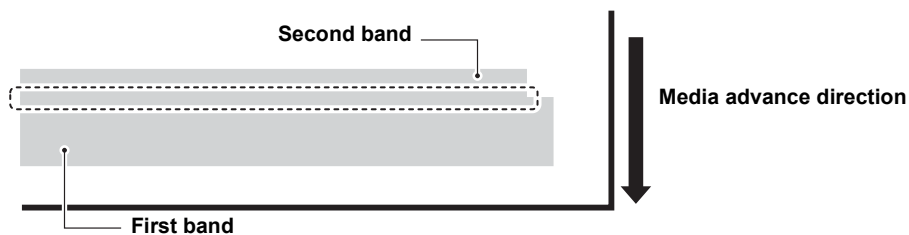
- When any heater temperature is changed, first make sure that the [ CONSTANT ] lamps light and the preset temperatures have been reached, and then start correction.
- On completion of [MEDIA COMP.] during use of a roll media, the media returns to the printing origin. Then the roll media in the rear of this machine will slacken. Before printing, take up the slack in the roll media by hand; a loose roll media can result in an inferior image quality.
- When printing is to be performed while using the take-up device, set the media first and then perform [MEDIA COMP.].

## Setting media compensation

Print the compensation pattern then correct the feeding rate of media.



- Print two bands as the compensation pattern.
- Adjust so that an even color density is obtained around the boundary between the two bands.



**1** Set a media. (👉 P.2-6)

**2** Press the **FUNCTION** key in the local mode.

FUNCTION  
SETUP <ENT>

**3** Press the **ENTER** key.

SETUP  
SELECT : TYPE . 1

**4** Select the type (1-4) by pressing the **▲** **▼** keys.

---

**5** Press the **ENTER** key twice.

[1]MEDIA COMP.  
PRINT START :ent

---

**6** Print the compensation pattern by pressing the **ENTER** key.

PRINTING  
PLEASE WAIT

---

**7** Check the compensation pattern then input the compensative value.

[1]MEDIA COMP.  
VALUE = 0

- Input to " + " : Move to such direction that a spacing between two lines is getting wider.  
Input to " - " : Move to such direction that a spacing between two lines is getting closer.  
• The band moves by approx. 0.1mm every when the compensative value is changed by "30".

---

**8** Press the **ENTER** key.

- Print and check the compensation pattern once again.
- Compensate it according to the operations of the step 7 if compensation is required.

[1]MEDIA COMP.  
PRINT START :ent

---

**9** Press the **END** key several times to end.

---

## When you need to correct the media feed during printing

The media feeding amount can be corrected even in the remote mode or when printing image data.

**1** Press the **FUNCTION** key in the remote mode.

```
*REMOTE . 1 *      [ # 0 1 ]
                  * * . * * mm
```

```
FEED COMPENSATION .
0
```

**2** Press the **ENTER** key.

```
FEED COMPENSATION .
0 ▶ 1
```

**3** Enter the correction amount with **▲** and **▼** key.

- Correction amount : -500 to 500
- The value entered here will be reflected on the correction amount immediately.

**4** Press the **ENTER** key.

```
FEED COMPENSATION .
SAVE                               :ent
```

- The value entered here will be invalid when pressing **END** key in stead of **ENTER** key.

**5** Press the **ENTER** key.

This indicates that the media correction was performed in the remote mode.

```
*REMOTE . + *      [ # 0 1 ]
                  * * . * * mm
```

- The changed value is registered.
- The value entered here will be valid temporarily when pressing **END** key in stead of **ENTER** key. (If performing media detection again or turning OFF the power supply, the correction value will be cleared.)

# Changing the set value of Heater

## Rough guide for temperature setting

Type of ink	BS* ink
Type of media	All medias
Pre-heater	35°C
Print-heater	35°C
Post-heater	50°C

**Important!**

- Adjust each heater temperature to a value best suited to the media conditions.

## Changing temperature settings of Heater

Set each item of [SET TEMP] and [SET TIME].

<b>SET TEMP</b>		Change the set temperature of the Pre-heater, Print-heater and Post-heater built in the platen.
<b>SET TIME</b>	<b>STANDBY</b>	<p>Set the period of time from when printing is completed to when the heater temperature begins to drop to the preheat temperature.</p> <p><b>Set value</b> : NONE, 0 ~ 90min (10min unit)</p> <ul style="list-style-type: none"> <li>• The preheat temperature is preset and cannot be changed.</li> <li>• If the machine receives data at the preheat temperature, the heaters automatically raise their temperatures up to the preset levels and then the machine starts printing.</li> <li>• When [NONE] is selected, the temperatures do not drop to the preheat level.</li> </ul>
	<b>OFF TIME</b>	<p>The heaters are turned off in the following case:</p> <ul style="list-style-type: none"> <li>• If a preset time has passed without printing while the machine is in standby mode.</li> <li>• With STANDBY- [NONE] selected, when preset time passes without printing after some printing.</li> </ul> <p><b>Set value</b> : NONE, 0 ~ 90min (10min unit)</p> <p>If the machine receives data with the heaters turned off, the heaters are automatically turned on to raise their temperatures up to the preset levels and then the machine starts printing.</p> <ul style="list-style-type: none"> <li>• With [NONE] selected, the heaters are not turned off.</li> <li>• It turns "OFF" at end of printing if "0min" is set.</li> </ul>

**1**

Press the **FUNCTION** key in the local mode.

FUNCTION  
SETUP <ENT>

**2**

Press the **ENTER** key.

SETUP  
SELECT : TYPE . 1

**3**

Select the type (1-4) by pressing the **▲ ▼** key.

**4** Press the **ENTER** key.

[ 1 ]  
 MEDIA COMP. <ent>

**5** Select **[HEATER]** by pressing the **▲▼** keys.

[ 1 ]  
 HEATER <ent>

**6** Press the **ENTER** key twice.  
 • The heater temperature setting display is displayed.

PRE    PRT    POST  
 25 °C   25 °C   35 °C

**7** Set each heater temperature by pressing the **▲▼◀▶** keys.  
 Heater selecting : by the **◀▶** keys  
 Temperature setting : by the **▲▼** keys

PRE    PRT    POST  
 35 °C   40 °C   50 °C

Set temperature : 20 ~ 50°C

**8** Press the **ENTER** key.

[ 1 ] HEATER  
 SET TEMP <ent>

**9** Select **[SET TIME]** by pressing the **▼** key.

[ 1 ] HEATER  
 SET TIME <ent>

**10** Press the **ENTER** key.

STANDBY    : OFF TIME  
 10min       : NONE

**11** Set it by pressing the **▲▼◀▶** keys.  
 Item selecting : by the **◀▶** keys  
 Time setting : by the **▲▼** keys

STANDBY    : OFF TIME  
 10min       : NONE

Set value : NONE ,  
0 to 90min (10min unit)

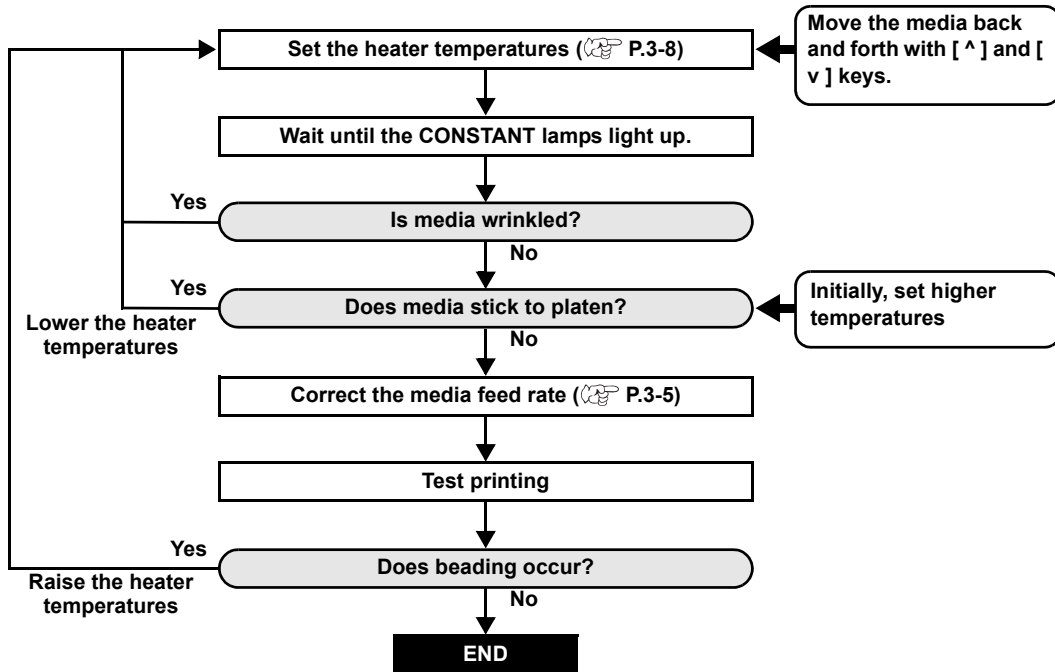
**12** Press the **ENTER** key.

**13** Press the **END** key several times to end.  
 • It returns to the local mode.

**Important!** • Use this machine at 20-35 °C to ensure reliable printing. The heater temperatures may not rise to the set values depending on the ambient temperature.

## Adjusting suitable temperature adjustment

This section describes the procedure for setting the heater temperatures properly. The proper heater temperatures depend on the media type and ambient temperature. Set temperatures that are appropriate to the media. For non-coated media or media on which ink is slow to dry, set the heater temperatures so that the ink fixing and drying characteristics will be improved.





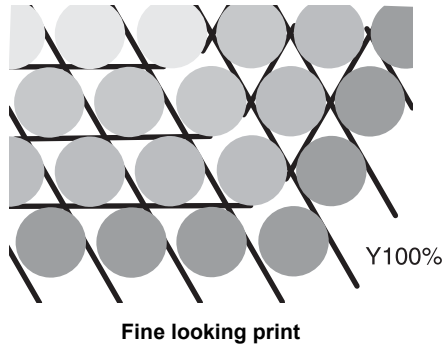
# In case the heater temperature is too low

When solvent ink is used, this may result in printing failures such as beading or banding if the heater temperature or the ink acceptable amount (the ink limit) is too low.

Beading is a phenomenon that adjacent dots attract each other and join. Beading causes speckled patterns or stripes along printing passes (banding.)

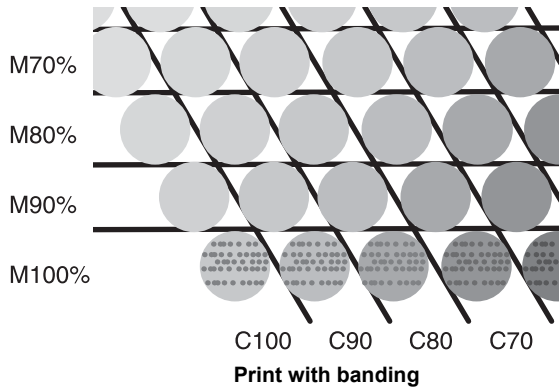
## Example of beading

The area in 100% magenta looks fine. Generally, the area in 70-100% single color is easily affected by the unevenness of media feed rate. The print shown here, free from unevenness of color in the vicinity of 100% magenta area, signifies that media feeding has been adjusted properly.



In the blue area (100% magenta + 100% cyan), however, speckled patterns and banding occur. This banding is a result of beading. If heater temperatures are low or the ink capacity (ink limit) of the media is low, the first dot does not solidify before the second dot lands on the media. As a result, dots bond to each other and unevenness or banding occurs.

In order to avoid beading, it is recommended to raise the heater temperatures, to raise the ink capacity (ink limit) of the media, to adjust the ink volume per dot for the media, to increase the number of printing passes and decrease the ink amount for one shot, and/or to gain time by scan wait. Change media if none of the above-mentioned measures works to prevent beading.



3 Convenient use

# Setting print mode

Upon the setting of the print mode, set each item for printing as follows.

- **Print quality (DRAFT)** : Setting the print quality in the DRAFT mode (Resolution in the scanning direction: 540dpi)
- **Print quality (FINE)** : Setting the print quality in the FINE mode (Resolution in the scanning direction: 720dpi)
- **Scanning direction** : Setting the printing direction
- **Logical-seek** : Setting "ON/OFF" of Logical-seek

## Setting of the print quality

**1** Press the **FUNCTION** key in the local mode.

```
FUNCTION
SETUP                <ENT>
```

**2** Press the **ENTER** key.

```
SETUP
SELECT              : TYPE . 1
```

**3** Select the type (1-4) by pressing the **▲** **▼** keys then press the **ENTER** key.

**4** Select [PRINT MODE] by pressing the **▲** **▼** keys.

```
[ 1 ]
PRINT MODE          <ent >
```

**5** Press the **ENTER** key.

```
[ 1 ] PRINT MODE
DRAFT QUALITY      <ent >
```

**6** Select an item to be set.

- (1) Select [DRAFT QUALITY] or [FINE QUALITY]([DRAFT QUALITY] is selected here.) by pressing the **▲** **▼** keys.
- (2) Press the **ENTER** key.

**7** Select the print quality by pressing the **▲** **▼** keys.

• Set value : STD / FAST / FINE

• Press the **ENTER** key to terminate the setting at this then proceed to the step10.

```
[ 1 ] PRINT MODE
DRAFTquality : STD .
```







**8** When changing the details of printing quality at each resolution. Select the resolution by pressing the **FUNCTION** key.

```
[ 1 ] DRAFT QUALITY
540x720                <ent >
```

• Set value : 540x720, 540x900, 540x1080 dpi (When "DRAFT" is selected)  
720x540, 720x720, 720x1080, 720x1440 dpi (When "FINE" is selected)

- (1) Select the resolution by pressing the **▲** **▼** key.
- (2) Press the **ENTER** key.

**9****Select the number of passes and printing speed.**[ 1 ] DRAFT QUALITY  
PASS=8 : SCAN=Hi SPEED

- (1) Select the number of passes with the   keys.
- (2) Press the  key.
- (3) Select the printing speed ("Hi-SPEED" or "Normal-SPEED") with the   keys.
- (4) Press the  key.

• The set value of the number of passes is different depending on the content of ink set or the resolution selected at the step 8. Select the number of passes, referring to "Combinations of Settable factors".

**10****Press the  key several times to end.****Combinations of Settable factors**

DRAFT quality

Resolution (dpi)	4 colors	
	Pass	Speed
540x720 dpi	4	Hi-SPEED/ Normal-SPEED
	8	
	16	
540x900 dpi	10	Hi-SPEED/ Normal-SPEED
	20	
	40	
540x1080 dpi	6	Hi-SPEED/ Normal-SPEED
	12	
	24	

FINE quality

Resolution (dpi)	4 colors	
	Pass	Speed
720x540 dpi	6	Hi-SPEED/ Normal-SPEED
	12	
	24	
720x720 dpi	4	Hi-SPEED/ Normal-SPEED
	8	
	16	
720x1080 dpi	6	Hi-SPEED/ Normal-SPEED
	12	
	24	
720x1440 dpi	8	Hi-SPEED/ Normal-SPEED
	16	
	32	

**3**

Convenient use

## Setting scanning direction

1

Perform operations up to P.3-12 the step 5.

[1]PRINT MODE  
DRAFT QUALITY <ent>

2

Select [SCAN DIRECTION] by pressing the   keys.

[1]PRINT MODE  
SCAN DIRECTION <ent>

3

Press the  key.

[1]PRINT MODE  
SCAN DIRECTION: **U**ni-D

4

Select the scanning direction by pressing the   keys.

• Set value : Uni-D, Bi-D

[1]PRINT MODE  
SCAN DIRECTION: **B**i-D

5

Press the  key.

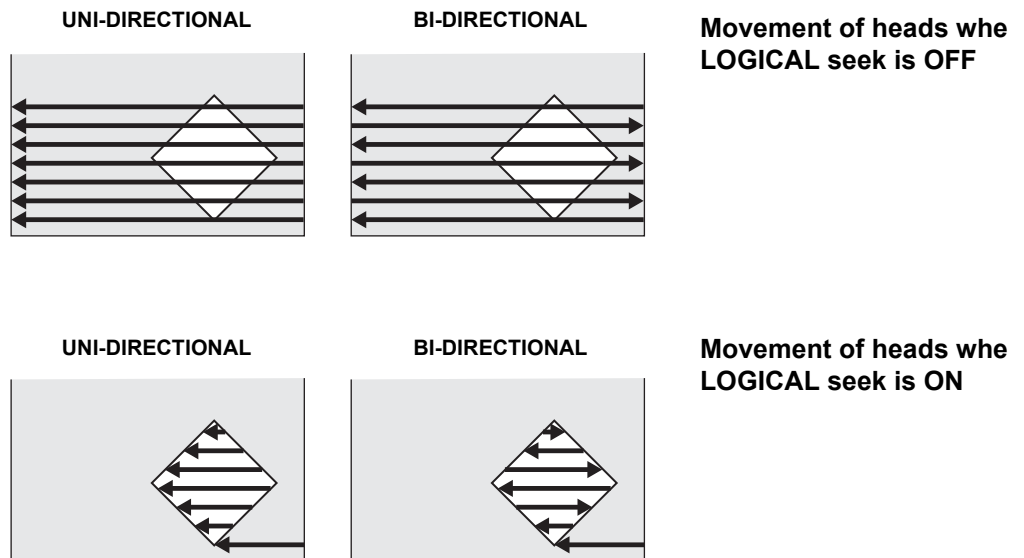
[1]PRINT MODE  
SCAN DIRECTION <ent>

6

Press the  key several times to end.

## Setting Logical-seek

The motion of Head varies depending on the set of Logical-seek.



1

Perform operations up to P.3-12 the step 5.

```
[1]PRINT MODE
DRAFT QUALITY <ent>
```


2

Select [LOGICAL SEEK] by pressing the   keys.

```
[1]PRINT MODE
LOGICAL SEEK <ent>
```

3

Press the  key.

```
[1]PRINT MODE
LOGICAL SEEK : 
```

4

Select ON/OFF by pressing the   keys.

```
[1]PRINT MODE
LOGICAL SEEK : 
```

5

Press the  key.

```
[1]PRINT MODE
LOGICAL SEEK <ent>
```

6

Press the  key several times to end.

3

Convenient use

# Setting drying time

Upon the setting of drying time, set each item for ink drying as follows.

- **SCAN** : Set the time to wait for ink drying after each pass. During bidirectional printing, the machine stops temporarily after every scanning back and forth.
- **Draw. END** : Set the time to wait for ink drying after completion of printing.

**1** Press the **FUNCTION** key in the local mode.

FUNCTION  
SETUP <ENT>

**2** Press the **ENTER** key.

SETUP  
SELECT :TYPE.1

**3** Select the type (1-4) by pressing the **▲** **▼** keys then press the **ENTER** key.

**4** Select [DRYING TIME] by pressing the **▲** **▼** keys.

[1]  
DRYING TIME <ent>

**5** Press the **ENTER** key.

SCAN : Draw.END  
0.0s : 0s

**6** Set the drying time by pressing the **▲** **▼** **◀** **▶** keys.

Item selecting : by the **◀** **▶** keys  
Time setting : by the **▲** **▼** keys

Scanning : 0.0 to 19.9 seconds  
Post-printing : 0 to 999 seconds

SCAN : Draw.END  
0.0s : 0s


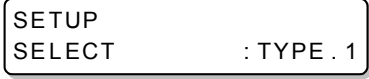

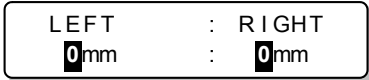
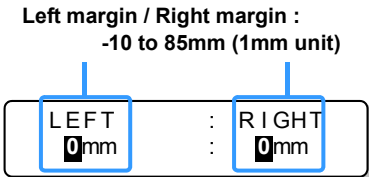
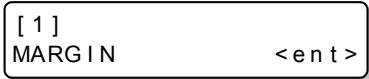
**7** Press the **ENTER** key.

[1]  
DRYING TIME <ent>

**8** Press the **END** key several times to end.

# Setting margins

Set a non-printing area along the right and left edges of the media.  
The offset value against the standard margin 15mm is set hereupon.

- 1** Press the **FUNCTION** key in the local mode. 
- 2** Press the **ENTER** key. 
- 3** Select the type (1-4) by pressing the **▲** **▼** keys then press the **ENTER** key.
- 4** Select **[MARGIN]** by pressing the **▲** **▼** keys. 
- 5** Press the **ENTER** key. 
- 6** Set a right and left margin by pressing the **▲** **▼** **◀** **▶** keys.  
Item selecting : by the **◀** **▶** keys  
Margin setting : by the **▲** **▼** keys  

- 7** Press the **ENTER** key. 
- 8** Press the **END** key several times to end.



- Pay attention to that printing may start on the media press if a right and left margin is set to 5 mm or less when the media press is used in printing.

# Setting Priority

For the following items, the priority is selected either the setting by the machine (by the panel) or the setting by the PC (by the host).

**Items to be selected** : MEDIA COMP. / HEATER / PRINT MODE / INK LAYERS / DRYING TIME / AUTO CUT / PRE-FEED / MARGIN / COLOR PATTERN / REFRESH / VACUUM / FeedSPEED LEVEL

**1** Press the **FUNCTION** key in the local mode.

FUNCTION  
SETUP <ENT>

**2** Press the **ENTER** key.

SETUP  
SELECT : TYPE . 1

**3** Select the type (1-4) by pressing the **▲** **▼** keys then press the **ENTER** key.

**4** Select [PRIORITY] by pressing the **▲** **▼** keys.

[ 1 ]  
PRIORITY <ent>

**5** Press the **ENTER** key.

[ 1 ] PRIORITY  
SETUP : **A**LL PANEL

**6** Select the set value by pressing the **▲** **▼** keys.

- Set value : INDIVIDUALLY / ALL HOST / ALL PANEL
- Proceed to the step 7 when [INDIVIDUALLY] is selected.
- Press the **ENTER** key then proceed to the step 11 when either [ALL HOST] or [ALL PANEL] is selected.

[ 1 ] PRIORITY  
SETUP : **I**NDIVIDUALLY

**7** Press the **FUNCTION** key.

- The setting display for the media compensation is displayed.

[ 1 ] PRIORITY  
MEDIA COMP. : **H**OST

**8** Select either "HOST" or "PANEL" by pressing the **▲** **▼** keys.

[ 1 ] PRIORITY  
MEDIA COMP. : **P**ANEL

**9** Press the **ENTER** key.

- You can also press **◀** **▶** keys to move between items. Be sure to press the **ENTER** key to register the setting.

**10** Set other items by the same operations as the step 8 and 9.

**11** Press the **END** key several times to end.



- Even when setting has been made to give priority to the host, the settings made on the machine become effective if there is no instruction from the host.



# Setting Auto cleaning

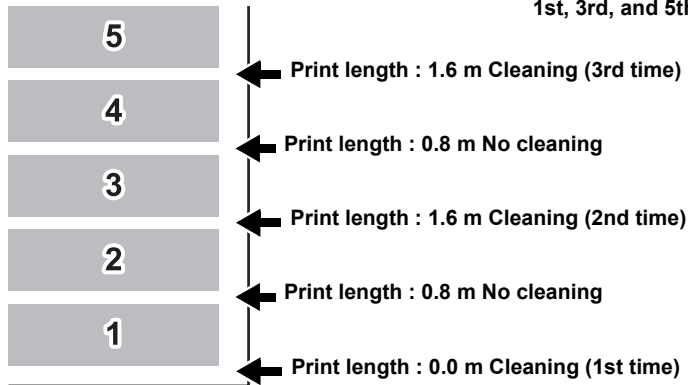
The machine is settable so that the head cleaning is automatically carried out when printing is completed for the set length.

At the completion of printing, the machine counts the length printed after the previous head cleaning and performs the cleaning automatically if required.

Reliable output results are always ensured if the heads are always kept clean.

The first cleaning is performed immediately before the first printing after the machine is started. Then subsequent cleaning is performed every printing on the specified length of media.

When five copies of an image 80 cm long are printed in series, cleaning is repeated before printing each of the 1st, 3rd, and 5th copies.



When operation interval is 1000 mm (example)

- 1** Press the **FUNCTION** key in the local mode.

FUNCTION  
 SETUP <ENT>

---

- 2** Press the **ENTER** key.

SETUP  
 SELECT : TYPE . 1

---

- 3** Select the type (1-4) by pressing the **▲** **▼** keys then press the **ENTER** key.

---

- 4** Select [AUTO CLEANING] by pressing the **▲** **▼** keys.

[ 1 ]  
 AUTO CREANING <ent>

---

- 5** Press the **ENTER** key.

[ 1 ]AUTO CREANING  
 SETUP : OFF

---

- 6** Select "ON" by pressing the **▲** **▼** keys.  
 • Proceed to the step 9 when "OFF" is selected.


[ 1 ]AUTO CREANING  
 SETUP : ON





---

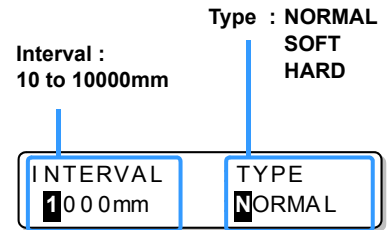
- 7** Press the **FUNCTION** key.

INTERVAL : TYPE  
 1000mm : NORMAL

**8**

Set an interval of cleaning and cleaning type by pressing the     keys.

Item selecting : by the   keys  
 Interval and Type setting : by the   keys

**9**

Press the  key.

**10**

Press the  key several times to end.

**Important!**

- This function does not operate when ink near-end occurs. Solve the ink near-end, referring to P.1-12.
- Depending on the conditions of the heads, etc., the defective printing could not be recovered even performing this function. In this case, contact our service office or distributor.

# Setting cleaning while printing

Set it whether the head cleaning is carried out automatically during printing or not.  
 Upon cleaning during printing, set the cleaning interval to the length printed.  
 The printing is interrupted each in the set length and the head cleaning is carried out automatically.

- 1** Press the **FUNCTION** key in the local mode.

FUNCTION  
SETUP <ENT>
- 2** Press the **ENTER** key.

SETUP  
SELECT :TYPE.1
- 3** Select the type (1-4) by pressing the **▲▼** keys then press the **ENTER** key.
- 4** Select [Print.CLEANING] by pressing the **▲▼** keys.

[1]  
Print.CLEANING <ent>
- 5** Press the **ENTER** key.

[1]Print.CLEANIN  
SETUP :OFF
- 6** Select "ON" by pressing the **▲▼** keys.  
 • Proceed to the step 9 when "OFF" is selected.

[1]Print.CLEANIN  
SETUP :ON
- 7** Press the **FUNCTION** key.

INTERVAL :TYPE  
1000mm :NORMAL
- 8** Set an interval of cleaning and cleaning type by pressing the **▲▼◀▶** keys.

Item selecting : by the **◀▶** keys  
 Interval and Type setting : by the **▲▼** keys

Interval : 10 to 10000mm

Type : NORMAL  
SOFT  
HARD

INTERVAL  
1000mm

TYPE  
NORMAL
- 9** Press the **ENTER** key.
- 10** Press the **END** key several times to end.

- Important!**
- This function does not operate when ink near-end occurs. Solve the ink near-end, referring to P.1-12.
  - Depending on the conditions of the heads, etc., the defective printing could not be recovered even performing this function. In this case, contact our service office or distributor.

# Setting media detection

Set the method for detecting a media when the media is set and the detecting type when the media is cut.

- 1** Press the **FUNCTION** key in the local mode. FUNCTION  
SETUP <ENT>
- 2** Press the **ENTER** key. SETUP  
SELECT :TYPE.1
- 3** Select the type (1-4) by pressing the **▲** **▼** keys then press the **ENTER** key.
- 4** Select **[MEDIA DETECT]** by pressing the **▲** **▼** keys. [1]  
MEDIA DETECT <ent>
- 5** Press the **ENTER** key twice.  
• The setting display for the media detection is displayed. [1]MEDIA DETECT  
DETECT METHOD: **S**SELECT
- 6** Select the set value by pressing the **▲** **▼** keys.  
**SELECT** : Select either a roll media or leaf media by pressing the **◀** **▶** keys when the media is detected.  
**WIDTH** : The width of media is only detected without any key input when the media is detected.(Detecting is started automatically by lowering the clamp lever.)
- 7** Press the **ENTER** key. [1]MEDIA DETECT  
DETECT METHOD <ent>
- 8** Select **[CUTTING DETECT]** by pressing the **▼** key. [1]MEDIA DETECT  
CUTTING DETECT <ent>
- 9** Press the **ENTER** key. [1]MEDIA DETECT  
DETECT : **B**BOTH EDGE
- 10** Select the set value by pressing the **▲** **▼** keys.  
• Set value : BOTH EDGE / LEFT EDGE / RIGHT EDGE / NONE
- 11** Press the **ENTER** key.
- 12** Press the **END** key several times to end.

**Important!**

- If the set value is set to others than "BOTH EDGE" in [CUTTING DETECT], although the cutting time is shortened, cutting remainders may happen due to the media skew.

# Other settings

Change the setting according to the use.

- 1 Press the **FUNCTION** key in the local mode. FUNCTION  
SETUP <ENT>

---

- 2 Press the **ENTER** key. SETUP  
SELECT : TYPE . 1

---

- 3 Select the type (1-4) by pressing the **▲** **▼** keys then press the **ENTER** key.

---

- 4 Select an item for setting by pressing the **▲** **▼** keys.
  - Select it, referring to the list of settings.

---

- 5 Press the **ENTER** key.

---

- 6 Select the set value by pressing the **▲** **▼** keys.
  - Select it, referring to the list of settings.

---

- 7 Press the **ENTER** key.

---

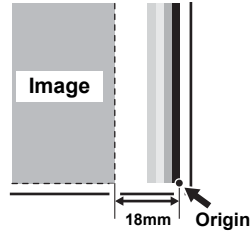
- 8 Press the **END** key several times to end.

**Important!** • The set value is maintained even when the power is tuned "OFF".

## List of Settings

The underlined has been set when purchased.

Item	Outline	Set value
Setting of Media compensation	Corrects the feeding rate of media	Refer to P.3-5
Setting of Heater	Setting Heater temperature	Refer to P.3-8
	Setting Heater standby time and OFF time	
Setting of Printing mode	Setting Print quality	Refer to P.3-12
	Setting Scanning direction	
	Setting Logical-seek	
Setting of the number of ink layers	Setting the number of layers in which ink is to be applied.	<u>1</u> ~ 9
Setting of Drying time	Setting the time for drying ink every scanning.	Refer to P.3-16
	Setting the time for drying ink after the completion of printing.	

Item	Outline	Set value
Setting of Auto cut	Setting whether the media is cut automatically or not after printing.	ON / <u>OFF</u>
Setting of Pre-feeding	Setting whether the media is carried back and forth or not before printing.	ON / <u>OFF</u>
Setting of Margins	Setting a left margin on the media	Refer to P.3-17
	Setting a right margin on the media	
Setting of Color patterns	When using other than sublimation transfer ink, set whether the color pattern will be drawn on the right edge of the medium.	ON / <u>OFF</u> 
Setting of Refreshing	Setting the refreshing level of head.	0 ~ 3
Setting of Adsorption	Setting the force adsorbing a media	STRONG / <u>STANDARD</u> / Little WEAK / WEAK / OFF
Setting of Feeding speed level	Changing the media feeding speed in printing.	10 ~ <u>100</u> ~ 200%
Setting of Priority	Sets the priority of settings (host / panel)	INDIVIDUALLY / <u>ALL HOST</u> / ALL PANEL
Setting of Auto cleaning	Setting the auto head cleaning operation performed every printing.	Refer to P.3-19
Setting of In-printing cleaning	Setting the auto head cleaning operation performed during printing.	Refer to P.3-21
Setting of Media detection	Setting the media detecting operation.	Refer to P.3-22
	Setting the detection conditions at the cutting operation.	
Setting of Feed Origin	Setting the media feeding direction to LED pointer when changing the printing origin position.	ON / <u>OFF</u>

# Initializing the settings


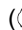
Initialize the settings to the conditions that have been set when purchased. (Set resetting)  
The set resetting can be executed per type.

- 1** Press the **FUNCTION** key in the local mode. FUNCTION  
SETUP <ENT>
- 2** Press the **ENTER** key. SETUP  
SELECT :TYPE.1
- 3** Select the type (1-4) by pressing the **▲** **▼** keys then press the **ENTER** key
- 4** Select [SETUP RESET] by pressing the **▲** **▼** keys. [1]  
SETUP RESET <ent>
- 5** Press the **ENTER** key. [1]SETUP RESET  
RESET :ent
- 6** Press the **ENTER** key.
  - The set is initialized.
- 7** Press the **END** key several times to end.

# Machine settings

It is each type of setting for using this machine more comfortably. [MACHINE SETUP] and [MACHINE SETUP2] are available in this machine.

The following items are settable in MACHINE SETUP 1, 2.

Item		Set value *1	Outline	
Machine Setup	DEODORIZE FAN *2	STOP TIME	0 ~ <u>120</u> ~ 240min/ CONTINUE	Setting the time until the rotation of the exhaust fan is interrupted after the completion of printing.
		RENEW	ON / <u>OFF</u>	Switching the current operation of the exhaust fan.
	Feeding/ Take UP	UNIT SELECT	FEEDING : ON / OFF TAKE-UP : ON / OFF	When using a heavy roll medium (the width is 1.6m or more), set "ON" to "FEEDING" and "TAKE-UP".
		TensionBar- POS.	LOW / HIGH	Set the operating position of the tension bar for the heavy-duty take-up device.
	Double Side Mode	Print Of Back Side	ON / OFF	Perform setting related to double-faced printing. For details, refer to P.4-2.
		INK LAYERS	1 ~ <u>2</u> ~ 9	
		MEDIA DETECT	OFF/ <u>10</u> ~ 10000mm	
	DRYNESS FEED		ON / <u>OFF</u>	Setting whether feeding for drying a media is performed after the completion of printing or not.
	STAMP SETUP		ON / <u>OFF</u>	Setting to output the output date and drawing conditions after the completion of printing.
	Waste Ink Warning		ON / <u>OFF</u>	Setting whether a check message for the waste ink tank is displayed or not.
	600cc Cartridge *3			Setting the weight of an eco-case. (  P.3-38)
	Test Draw Arrange		FEED DIR. / SCAN DIR.	Setting the deployment direction of the test pattern when performing test printing repeatedly.
	CART.PRIORITY *4		<u>INK LEVEL</u> EXP. DATE	Condition of the ink cartridge to be used first by the double-cartridge automatic switching function can be selected.
	ROOM TEMP. *5		Not wait ARR. Wait arrival	Sets the operation when an error indicating that the room temperature is out of the usable temperature range occurs. (  P.3-46)
Machine Setup 2	CONFIRM. FEED		<u>ON</u> / OFF	The feeding set for checking the result after test printing is settable. [BACK FEED] for returning a media to the original position by pressing the <b>FUNCTION</b> key is settable when set to "ON".
	TIME SET			Setting the present date and time.
	UNIT SETUP	TEMP.	°C (Centigrade) /°F (Fahrenheit)	Setting a unit of temperature indications.
		LENGTH	<u>mm</u> / inch	Setting a unit of length and area indications.
	MACHINE NAME		<u>01</u> ~ 99	Setting a machine name (machine No.) for recognizing each machine when plural machines are connected through USB2.0 interface.
KEY BUZZER		<u>ON</u> / OFF	Setting a buzzer sound of the time when a key is pressed.	

\*1. The setting at the time of purchase is indicated with the underline.

\*2. DEODORIZE FAN is optional.

\*3. It is not displayed when the 600cc cartridge is not set in the ink slot.

\*4. This setting is only available for 4-color set.

\*5. This function is available for the firmware Ver.3.30 and later.



## Setting the deodorize fan

The fan operates during printing, and operates according to the set of [STOP TIME] from the completion of printing.

Upon the setting of the deodorize fan, two items are settable as follows.

- **STOP TIME** : Setting the time from the completion of printing until the fan operation is interrupted.
- **RENEW** : The fan operation is executable even not in printing if it is set to "ON".

**Important!**

- The deodorize fan is an option included in the drying ventilation unit.
- When a drier fan is equipped, the drier fan operates in linkage with the contents set here.

1

Press the **FUNCTION** key in the local mode.

FUNCTION  
SETUP <ENT>

2

Select [MACHINE SETUP] by pressing the **▲▼** keys.

FUNCTION  
MACHINE SETUP <ENT>

3

Press the **ENTER** key twice.

DEODORIZE FAN  
STOP TIME <ent>

4

Select the item to be set by pressing the **▲▼** keys.

- STOP TIME** : Setting the time from the completion of printing until the exhaust fan is stopped.
- RENEW** : Select this to operate the fan.

5

Press the **ENTER** key.

6

Select the set value by pressing the **▲▼** keys.

- STOP TIME** : 0 - 240 seconds or continuous running
- RENEW** : Select "ON" to operate and "OFF" to stop the operation.

7

Press the **ENTER** key.

8

Press the **END** key several times to end.

3

Convenient use

## Perform setting of feeding and take up

For the setting of feeding and take up, there are "Setting of UNIT SELECT" which is used to set whether the heavy medium take-up device/the heavy medium feeding device is used or not and " " which is used to set the operating position of the tension bar for the heavy medium feeding device.

### Setting of UNIT SELECT

This is used to set whether the heavy duty take-up device/the heavy-duty feeding device is used or not.

**Important!**

- For setting of UNIT SELECT, when you set "OFF" to the heavy duty take-up device/the heavy -duty feeding device, be sure to fix tension bars of each device at the lock position before performing setting. Especially, if the tension bar for the take-up device is not locked, the take up setting cannot be switched to "OFF".

1

Press the **FUNCTION** key in the local mode.

```
FUNCTION
SETUP          <ENT>
```

2

Select **[MACHINE SETUP]** by pressing the **▲▼** keys.

```
FUNCTION
MACHINE SETUP <ENT>
```

3

Press the **ENTER** key.

```
MACHINE SETUP
DEODORIZE FAN <ent>
```

4

Select **[Feeding / TakeUP]** by pressing the **▲▼** keys.

```
MACHINE SETUP
Feeding/TakeUP <ent>
```

5

Press the **ENTER** key.

```
Feeding/TakeUP
UNIT SELECT   <ent>
```

6

Press the **ENTER** key.

```
FEEDING : TAKE-UP
ON      ON
```

7

Press the **▲▼◀▶** keys to change the setting.

Item selecting : by the **◀▶** keys

Unit setting : by the **▲▼** keys

8

Press the **ENTER** key.

- If you perform setting of the tension bar continuously, operate the procedures from Step 6 of "Setting of Tension Bar Position".

9

Press the **END** key several times to end.

## Setting of Tension Bar Position

Set the operating position of the tension bar for the heavy duty take-up device while drawing.

**Important!**

- When changing the setting, be sure to understand the setting contents referring to P.2-18 “Setting the active position of the take-up tension-bar” before change it.

- 1** Press the **FUNCTION** key in the local mode.

FUNCTION  
SETUP <ENT>
- 2** Select [MACHINE SETUP] by pressing the **▲** **▼** keys.

FUNCTION  
MACHINE SETUP <ENT>
- 3** Press the **ENTER** key.

MACHINE SETUP  
DEODORIZE FAN <ent>
- 4** Select [Feeding / TakeUP] by pressing the **▲** **▼** keys.

MACHINE SETUP  
Feeding / TakeUP <ent>
- 5** Press the **ENTER** key.

Feeding / TakeUP  
UNIT SELECT <ent>
- 6** Select [TensionBar-POS.] by pressing the **▲** **▼** keys.

Feeding / TakeUP  
TensionBar - POS. <ent>
- 7** Press the **ENTER** key.

Feeding / TakeUP  
TensionBar - POS. : LOW
- 8** Select the set value by pressing the **▲** **▼** keys.
- 9** Press the **ENTER** key.
- 10** Press the **END** key several times to end.

## Setting Dryness feeding

Setting whether feeding for drying a media is performed after the completion of printing or not.

1

Press the **FUNCTION** key in the local mode.

```
FUNCTION
SETUP          <ENT>
```

2

Select [MACHINE SETUP] by pressing the **▲** **▼** keys.

```
FUNCTION
MACHINE SETUP <ENT>
```

3

Press the **ENTER** key.

```
MACHINE SETUP
DEODORIZE FAN <ent>
```

4

Select [DRYNESS FEED] by pressing the **▲** **▼** keys.

```
MACHINE SETUP
DRYNESS FEED <ent>
```

5

Press the **ENTER** key.

```
DRYNESS FEED
SETUP          :ON
```

6

Select ON/OFF by pressing the **▲** **▼** keys.

7

Press the **ENTER** key.

8

Press the **END** key several times to end.

## Setting Stamp

Set whether information such as the drawing conditions or the date printed is output after the completion of printing or not.

- 1 Press the **FUNCTION** key in the local mode.
 

FUNCTION  
SETUP <ENT>
- 2 Select [MACHINE SETUP] by pressing the **▲▼** keys.
 

FUNCTION  
MACHINE SETUP <ENT>
- 3 Press the **ENTER** key.
 

MACHINE SETUP  
DEODORIZE FAN <ent>
- 4 Select [STAMP SETUP] by pressing the **▲▼** keys.
 

MACHINE SETUP  
STAMP SETUP <ent>
- 5 Press the **ENTER** key.
 

STAMP SETUP  
STAMP :  OFF
- 6 Select ON/OFF by pressing the **▲▼** keys.
- 7 Press the **ENTER** key.
- 8 Press the **END** key several times to end.

### Examples of Output

```

JV33-260BS Ver2.00
PRINT MODE : 540x1080 6PASS Bi-D Hi 1LAYER
MEDIA COMP. : 0(0.0)
HEAD GAP : Thin
INK : BS2INK 4color
HEATER TEMP. : PRE : 35°C PRINT: 35°C POST : 40°C
DATE : 12.01.29 15:02:54
  
```

## When using 600 cc cartridge (firmware Ver.3.10 or older )

### Requisite for the 600 cc cartridge

Eco Case	The 600 cc ink pack and the attached ink chip are put in the eco case and used. This is referred to as "600 cc cartridge" in this manual.
600 cc Ink Pack	
Ink Chip *1	
Scale	To calculate the remaining ink quantity, input the weight of the eco case and the 600 cc cartridge into this machine. Use a scale for weight measuring. (To manage the accurate remaining ink quantity, prepare the scale that can weigh in one gram unit.)

\*1.Attached to the 600cc ink pack.

### Mounting/removing 600 cc ink pack

For mounting/removing the 600 cc ink pack, refer to the label adhered on the eco case.

### Precaution for using 600 cc cartridge

Be sure to put the ink pack and the ink chip in the eco case for setting the 600 cc cartridge on the ink station.



- This machine cannot judge whether the 600 cc ink pack is in the eco case or not. When using the 600 cc cartridge, be sure to attach the ink pack.
- Setting an eco case without ink chip on the machine will break this machine. Be sure to attach the ink chip to the eco case before use.

### Registering weight of eco case

Register the eco case weight on this machine to calculate the remaining ink quantity from the weight of the 600 cc cartridge.



#### Register the weight of the eco case in the following cases.

- For using the 600 cc cartridge for the first time
- When the case weight is changed by replacing the eco case.



- The weight of each eco case slightly differs respectively. To control accurate ink quantity, be sure to register the weight of each eco case.

## When using 600 cc cartridge for the first time

When the 600 cc cartridge is set in the slot of the ink station, the weight registration function of the eco case automatically starts.

### 1

#### Measure the weight of the eco case.

- Measure the weight of the eco case only in advance.
- If the 600 cc ink pack is in the eco case, remove the 600 cc ink pack and then perform measurement.

### 2





#### Set the 600 cc cartridge in the ink station.

- Mount the 600 cc ink pack and the ink chip on the eco case, and set it to the ink slot.
- The input screen for the weight of the eco case will be displayed.

```
CART.Slot  ..3.....
case weight = 300g
```

### 3

#### Pressing the keys input the weight of the eco case.

- Press the   keys to move to another digit.
- Press the   keys to input the weight.

```
CART.Slot  ..3.....
case weight = 355g
```

### 4

#### Press the key.

- For setting 600 cc cartridges in multiple slots, repeat the procedures in Step 2 and 3.
- After all registration is completed, the device will return to the status before the weight registration function was initiated.

## When the eco case weight is changed

When the case weight is changed by replacing the eco case, register the weight of the eco case in the following procedures.

1

In the local mode, press the **FUNCTION** key.

```
FUNCTION
SETUP                <ENT>
```

2

Select **[MACHINE SETUP]** by pressing the **▲** **▼** keys.

```
FUNCTION
MACHINE SETUP      <ENT>
```

3

Press the **ENTER** key.

```
MACHINE SETUP
DEODORIZE FAN     <ent>
```

4

Select **[600cc Cartridge]** by pressing the **▲** **▼** keys.

- When the 600 cc cartridge is not set, "600 cc Cartridge" will not be displayed.
- It is recommended to measure the weight of the eco case in advance and then perform the procedure from the Step 5.

```
MACHINE SETUP
600cc Cartridge<ent>
```

5

Press the **ENTER** key.

```
CART.Slot select
 1.34..7.
```

6

Select **[Slot]** by pressing the **◀** **▶** keys.

- The selected slot is highlighted.

```
CART.Slot select
 1.34..7.
```

7

Press the **ENTER** key.

- The weight input screen is displayed.

```
CART.Slot   ..3.....
case weight = 300g
```

8

Pressing the **▲** **▼** **◀** **▶** keys input the weight of the eco case.

- Press the **◀** **▶** keys to move to another digit.
- Press the **▲** **▼** keys to input the weight.

```
CART.Slot   ...4.....
case weight = 355g
```

9

Press the **ENTER** key.

- The slot selection screen is displayed again.
- When you want to register the weight of another slot continuously, repeat the Step 6 to select a slot.

```
CART.Slot select
 1.34..7.
```

10

Press the **END** key several times to end the setting.



## When [Ink Level] is displayed

If quantity of the remaining 600 cc ink becomes low, a warning [Ink Level] appears.  
To use the ink remaining in the ink pack, input the 600 cc cartridge weight displaying the warning.



- This function is only available for the 600 cc cartridge displaying [Ink Level] warning.
- This function is available for resetting the 600cc cartridge on the local mode or remote mode (in the standby status or in the printing status).
- This machine calculates the available quantity of remaining ink from the weight of the 600 cc cartridge input in this machine.  
Accurately weigh the 600 cc cartridge down to 1 gram unit.
- If available ink remains, [Ink Level] warning disappears and [NEAR END] appears.
- If [Ink Level] warning is displayed after inputting the weight, available ink is used up. Immediately replace the ink pack with new one.
- The ink in the ink pack cannot be completely used up.  
To prevent ink supply trouble, the ink remains about 30 cc in the pack.  
(To use 600 cc of ink, 630 cc or more ink contains in the pack.)



- You can input the weight of the same 600 cc cartridge up to two times (Three times for the 600 cc cartridge used for initial filling).  
(It depends on the machine or the environment used.)  
If [Ink Level] warning occurs after that, replace the ink pack.
- If you want to use the currently-used ink continuously because the ink remains much in the ink pack, repeat the weight input every time [Ink Level] warning occurs.



- To input a larger value than the actual weight of the 600 cc cartridge will cause a dot missing by false control of the remaining ink.

### 1

If [Ink level] is displayed, remove the 600cc cartridge and measure the weight of the 600cc cartridge.

```
<LOCAL . 1>      [#01]
InkLevel      --C-----
```

- Be sure to measure the weight of the eco case including the 600 cc ink pack.

### 2

Reinsert the 600cc cartridge.

### 3

Press the key.

```
InkLevelSet  ..C.....
Exec <      > Cancel
```

### 4

Pressing the keys input the weight of the 600cc cartridge.

```
InkLevelSet  ..C.....
[ 1 ]      0555g
```

- Press the keys to move to another digit.
- Press the keys to input the weight.

Displays the number of inputting the weight for the same 600 cc cartridge .

### 5

Press the key.

```
InkLevelSet  ..C.....
0555g OK ?      :ent
```

### 6

Press the key.

- Return to the local mode or the remote mode.

## ● When an error occurs in the Step 6

This function stores the calculated quantity of remaining ink in the ink chip of the 600cc cartridge.

If the 600cc cartridge is removed or there is a problem on the contact of this device and the ink chip, the data storage in the ink chip cannot be performed. In this case, the message on the right will be displayed.

\*\*\* 600cc Error \*\*\*  
Preservation failure

If the message is displayed, reinsert the 600cc cartridge and follow the procedures from the Step 2 again.

## Inputting weight of the cartridge after initial ink filling

When the initial ink charging (☞ P.5-24) was finished after [DISCHARGE & WASH], the screen to input the weight of the 600cc cartridge is displayed.



- This machine calculates the available quantity of remaining ink from the weight of the 600 cc cartridge input in this machine.  
Accurately weigh the 600 cc cartridge down to 1 gram unit.



- To input a larger value than the actual weight of the 600 cc cartridge will cause a dot missing by false control of the remaining ink.

1

When ink filling is completed, the following screen is displayed.

InkLevelSet ..C.....  
0400g

2

Remove the 600cc cartridge and measure the weight.





- Be sure to measure the weight of the eco case including the 600 cc ink pack.

3

Reinsert the 600cc cartridge.

4

Pressing the     keys input the weight of the 600cc cartridge.

- Press the   keys to move to another digit.
- Press the   keys to input the weight.

InkLevelSet ..C.....  
0555g

5

Press the  key.

InkLevelSet ..C.....  
0555g OK ? :ent

6

Press the  key.

- If there is a 600 cc cartridge, which the quantity of remaining ink is not set, the screen will return to the Step 1.  
Repeat the procedures from the Step 1 to 6 for all the 600cc cartridges set in this machine.
- When the setting for the quantity of the remaining ink of all the 600cc cartridges is completed, return to the local mode.

### ● When an error occurs in the Step 6

This function stores the calculated quantity of remaining ink in the ink chip of the 600cc cartridge.

If the 600cc cartridge is removed or there is a problem on the contact of this device and the ink chip, the data storage in the ink chip cannot be performed. In this case, the message on the right will be displayed.

If the message is displayed, reinsert the 600cc cartridge and follow the procedures from the Step 3 again.

```
*** 600cc Error ***  
Preservation failure
```

## Error when performing maintenance function

When performing the maintenance function such as the head cleaning or the ink filling for the 600 cc cartridge, selected functions can be performed if the quantity of remaining ink is enough to execute the function, even if the ink near end occurs.

If the quantity of remaining ink is not enough, a message on the right appears, and selected maintenance function is not performed.

```
*** 600cc Error ***  
Shortage of ink.
```

## When using 600 cc cartridge (firmware Ver.3.20 or later)

### Requisite for the 600 cc cartridge

Eco Case	The 600 cc ink pack and the attached ink chip are put in the eco case and used. This is referred to as "600 cc cartridge" in this manual.
600 cc Ink Pack	
Ink Chip *1	
Scale	To calculate the remaining ink quantity, input the weight of the eco case and the 600 cc cartridge into this machine. Use a scale for weight measuring. (To manage the accurate remaining ink quantity, prepare the scale that can weigh in one gram unit.)

\*1.Attached to the 600cc ink pack.

### Mounting/removing 600 cc ink pack

For mounting/removing the 600 cc ink pack, refer to the label adhered on the eco case.

### Precaution for using 600 cc cartridge

Be sure to put the ink pack and the ink chip in the eco case for setting the 600 cc cartridge on the ink station.



- This machine cannot judge whether the 600 cc ink pack is in the eco case or not. When using the 600 cc cartridge, be sure to attach the ink pack.
- Setting an eco case without ink chip on the machine will break this machine. Be sure to attach the ink chip to the eco case before use.

### Registering weight of eco case

Register the eco case weight on this machine to calculate the remaining ink quantity from the weight of the 600 cc cartridge.



#### Register the weight of the eco case in the following cases.

- For using the 600 cc cartridge for the first time
- When the case weight is changed by replacing the eco case.



- The weight of each eco case slightly differs respectively. To control accurate ink quantity, be sure to register the weight of each eco case.

## When using 600 cc cartridge for the first time

When the 600 cc cartridge is set in the slot of the ink station, the weight registration function of the eco case automatically starts.

### 1

#### Measure the weight of the eco case.

- Measure the weight of the eco case only in advance.
- If the 600 cc ink pack is in the eco case, remove the 600 cc ink pack and then perform measurement.

### 2





#### Set the 600 cc cartridge in the ink station.

- Mount the 600 cc ink pack and the ink chip on the eco case, and set it to the ink slot.
- The input screen for the weight of the eco case will be displayed.

```
CART.Slot  ..3.....
case weight = 300g
```

### 3

#### Pressing the keys input the weight of the eco case.

- Press the   keys to move to another digit.
- Press the   keys to input the weight.

```
CART.Slot  ..3.....
case weight = 355g
```

### 4

#### Press the key.

- For setting 600 cc cartridges in multiple slots, repeat the procedures in Step 2 and 3.
- After all registration is completed, the device will return to the status before the weight registration function was initiated.

## When the eco case weight is changed

When the case weight is changed by replacing the eco case, register the weight of the eco case in the following procedures.

1

In the local mode, press the **FUNCTION** key.

```
FUNCTION
SETUP                <ENT>
```

2

Select **[MACHINE SETUP]** by pressing the **▲▼** keys.

```
FUNCTION
MACHINE SETUP      <ENT>
```

3

Press the **ENTER** key.

```
MACHINE SETUP
DEODORIZE FAN     <ent>
```

4

Select **[600cc Cartridge]** by pressing the **▲▼** keys.

- When the 600 cc cartridge is not set, "600 cc Cartridge" will not be displayed.
- It is recommended to measure the weight of the eco case in advance and then perform the procedure from the Step 5.

```
MACHINE SETUP
600cc Cartridge<ent>
```

5

Press the **ENTER** key.

```
CART.Slot select
  1.34..7.
```

6

Select **[Slot]** by pressing the **◀▶** keys.

- The selected slot is highlighted.

```
CART.Slot select
  1.34..7.
```

7

Press the **ENTER** key.

- The weight input screen is displayed.

```
CART.Slot    ..3.....
case weight  = 300g
```

8

Pressing the **▲▼◀▶** keys input the weight of the eco case.

- Press the **◀▶** keys to move to another digit.
- Press the **▲▼** keys to input the weight.

```
CART.Slot    ...4.....
case weight  = 355g
```

9

Press the **ENTER** key.

- The slot selection screen is displayed again.
- When you want to register the weight of another slot continuously, repeat the Step 6 to select a slot.

```
CART.Slot select
  1.34..7.
```

10

Press the **END** key several times to end the setting.

## When [Ink Level] is displayed

When quantity of the remaining 600 cc ink becomes low, a warning [Ink Level] appears. Enter the weight of the cartridge with the Ink Level Set function.

**Important!**

- This machine recalculates usable amount of remaining ink by entering the weight of the 600 cc cartridge.
- Ink Level Set function starts by resetting the 600 cc cartridge indicating [Ink Level] warning in the local mode or remote mode (during waiting or printing).
- Weight the cartridge exactly down to the gram. Entering a larger weight than the actual one may cause Nozzle Drop Out.

### ● Using Ink Level Set function

# 1

If [Ink level] is displayed, remove the 600cc cartridge and measure the weight of the 600cc cartridge.

- Be sure to measure the weight of the eco case including the 600 cc ink pack.



- Use the "E" display as a guide for replacing the ink pack.
- If ink remains much in the ink pack even when "E" is displayed, proceed to the Step 2 and the subsequent steps.

**Important!**

- Ink in the ink pack cannot be completely used up. To prevent ink supply errors, about 30 cc of ink must remain in the ink pack.

```
<LOCAL . 1> MMCCYYKK
InkLevel    --L---E-
```

Displays the cartridge causing [Ink Level] warning.

Upper line: Ink color being set  
Lower line: Cartridge condition  
" - " No error  
"L" Ink Level Low  
"E" Ink Level End

# 2

Reset the 600 cc cartridge.





# 3

Press the  key.

```
InkLevelSet ..C.....
Exec <      > Cancel
```

# 4

Pressing the     keys input the weight of the 600cc cartridge.

- Press the   keys to move to another digit.
- Press the   keys to input the weight.

```
InkLevelSet ..C.....
[1]         0555g
```

Displays the set number of times of weight to the cartridge being operated.

# 5

Press the  key.

```
InkLevelSet ..C.....
0555g OK ?      :ent
```

# 6

## Press the **ENTER** key.

- Usable amount of remaining ink is recalculated.
- The contents displayed differ depending on the amount of remaining ink.

### (1) When ink still remains

- Return to the local mode or the remote mode.
- [Ink Level] warning disappears and the state of the 600 cc cartridge that Ink Level Set function was performed changes to [INK NEAR END] warning.
- [INK NEAR END] warning can be checked on the guidance function. (☞ P.3-56)

```
<LOCAL . 1>      [ #01 ]
```

### (2) When no ink remains

- A message for replacing the ink pack is displayed.
- Press the **ENTER** key to return to the local mode or the remote mode.
- [Ink Level] warning is still displayed and the state of the 600 cc cartridge that Ink Level Set function was performed changes to [INK END] warning.
- [INK END] warning can be checked on the guidance function. (☞ P.3-56)

```
InkLevelSet ..C.....
Replace ink pack: [E]
```

```
<LOCAL . 1>      MMCCYYKK
InkLevel         [-E]-----
```

Changes the display from [L] to [E].

### Important!

- Once a message for replacing the ink pack appears, immediately replace the target ink pack with a new one. (Usable ink has been used up.)
- Ink in the ink pack cannot be completely used up. To prevent ink supply errors, about 30 cc of ink must remain in the ink pack. (Before shipping, more than 630 cc of ink is filled in the ink pack to use 600 cc.)

## ● When an error occur in the Step 6

This function stores the calculated quantity of remaining ink in the ink chip of the 600cc cartridge.

If the 600cc cartridge is removed or there is a problem on the contact of this device and the ink chip, the data storage in the ink chip cannot be performed. In this case, the message on the right will be displayed.

If the message is displayed, reinsert the 600cc cartridge and follow the procedures from the Step 2 again.

```
*** 600cc Error ***
Preservation failure
```



## Inputting weight of the cartridge after initial ink filling

When the initial ink charging (☞ P.5-24) was finished after [DISCHARGE & WASH], the screen to input the weight of the 600cc cartridge is displayed.



- This machine recalculates usable amount of remaining ink by entering the weight of the 600 cc cartridge.



- Weigh the cartridge exactly down to the gram. Entering a larger weight than the actual one may cause dot missing.

### 1

When ink filling is completed, the following screen is displayed.

```
InkLevelSet ..C.....
                0400g
```

### 2

Remove the 600cc cartridge and measure the weight.

- Be sure to measure the weight of the eco case including the 600 cc ink pack.

### 3

Reset the 600 cc cartridge.

### 4

Pressing the keys input the weight of the 600cc cartridge.

```
InkLevelSet ..C.....
                0555g
```

- Press the keys to move to another digit.
- Press the keys to input the weight.

### 5

Press the key.

```
InkLevelSet ..C.....
0555g OK ?      :ent
```

### 6

Press the key.

- If there is a 600 cc cartridge, which the quantity of remaining ink is not set, the screen will return to the Step 1.  
Repeat the procedures from the Step 1 to 6 for all the 600cc cartridges set in this machine.
- When the setting for the quantity of the remaining ink of all the 600cc cartridges is completed, return to the local mode.

### ● When an error occur in the Step 6

This function stores the calculated quantity of remaining ink in the ink chip of the 600cc cartridge.

If the 600cc cartridge is removed or there is a problem on the contact of this device and the ink chip, the data storage in the ink chip cannot be performed. In this case, the message on the right will be displayed.

If the message is displayed, reinsert the 600cc cartridge and follow the procedures from the Step 3 again.

```
*** 600cc Error ***
Preservation failure
```

## Error when performing maintenance function

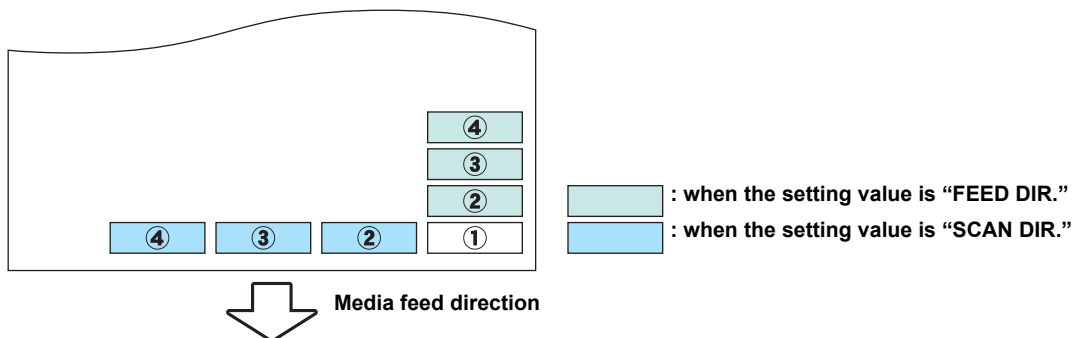
When performing the maintenance function such as the head cleaning or the ink filling for the 600 cc cartridge, selected functions can be performed if the quantity of remaining ink is enough to execute the function, even if the ink near end occurs.

If the quantity of remaining ink is not enough, a message on the right appears, and selected maintenance function is not performed.

\*\*\* 600cc Error \*\*\*  
Shortage of ink.

## Setting Test draw arrange

You can set the deployment direction of the test pattern to be printed when performing test printing repeatedly.



1

Press the **FUNCTION** key in the local mode.

```
FUNCTION
SETUP          <ENT>
```

2

Select [MACHINE SETUP] by pressing the **▲** **▼** keys.

```
FUNCTION
MACHINE SETUP <ENT>
```

3

Press the **ENTER** key.

```
MACHINE SETUP
DEODORIZE FAN <ent>
```

4

Select [STAMP SETUP] by pressing the **▲** **▼** keys.

```
MACHINE SETUP
TestDrawArrange<ent>
```

5

Press the **ENTER** key.

```
TestDrawArrange.
SETUP          : FFEED DIR.
```

6

Select the set value by pressing the **▲** **▼** keys.

**FEED DIR.** : Deployed in the feed (longitudinal) direction of the media (setting at the time of purchase).  
**SCAN DIR.** : Deployed in the scan (crosswise) direction of the media.

7

Press the **ENTER** key.

8

Press the **END** key several times to end.

## Change the operation condition of the room temperature

If you print in the status that the temperature of the place in which the machine has installed (room temperature) is out of the usable temperature range, ink discharging defect or changing color may occur, and it adversely affects the printing quality.

Here, select the operation if the room temperature is out of the usable temperature range when printing.



- For the details of the usable temperature range, refer to P.7-3 "Available temp."
- If the room temperature is out of the usable temperature range at the start of printing, the error message below is displayed to inform you of it.

```
**** ERROR 120 ****
ROOM TEMP LOW (XX °C)
```

```
**** ERROR 121 ****
ROOM TEMP HIGH (XX °C)
```

\* The temperature displayed in error message is the one of inside of the machine. Be careful that it is not actual room temperature.

1

Press the **FUNCTION** key in the local mode.

```
FUNCTION
SETUP <ENT>
```

2

Select **[MACHINE SETUP]** by pressing the **▲** **▼** keys.

```
FUNCTION
MACHINE SETUP <ENT>
```

3

Press the **ENTER** key.

```
MACHINE SETUP
DEODORIZE FAN <ent>
```

4

Select **[ROOMTEMP.]** by pressing the **▲** **▼** keys.

```
MACHINE SETUP
ROOM TEMP. <ent>
```

5

Press the **ENTER** key.

```
ROOM TEMP.
SEL :Not wait ARR.
```

6

Press **▲** **▼** to select a set value.

**Not wait ARR.** : The error message is displayed for a moment, and printing starts.

**Wait arrival** : After the error message is displayed, wait until the room temperature reaches the proper value. Then, printing starts.

7

Press the **ENTER** key.

8

Press the **END** key several times to end.

## Setting confirmation feeding

Set whether media feeding is performed for checking the result after test printing or not

- 1** Press the **FUNCTION** key in the local mode.

FUNCTION  
SETUP <ENT>
- 2** Select [MACHINE SETUP 2] by pressing the **▲** **▼** keys.

FUNCTION  
MACHINE SETUP2 <ENT>
- 3** Press the **ENTER** key twice.

CONFIRM. FEED  
FEED : ON
- 4** Select "ON" by pressing the **▲** **▼** keys.

  - Proceed to the step 7 when "OFF" is selected.
- 5** Press the **FUNCTION** key to set [BACK FEED].

CONFIRM. FEED  
BACK FEED : ON
- 6** Select ON/OFF by pressing the **▲** **▼** keys.

  - When the media return feeding is set "ON", the media fed by the confirmation feeding is slightly returned.
  - If it is not desirable to return the media, set it to "OFF".

CONFIRMATION FEED  
BACK FEED : OFF
- 7** Press the **ENTER** key.

MACHINE SETUP2  
CONFIRM. FEED <ent>
- 8** Press the **END** key several times to end.

## Setting time

1

Press the **FUNCTION** key in the local mode.

```
FUNCTION
SETUP          <ENT>
```

2

Select [MACHINE SETUP 2] by pressing the **▲** **▼** keys.

```
FUNCTION
MACHINE SETUP2 <ENT>
```

3

Press the **ENTER** key.

```
MACHINE SETUP2
CONFIRM. FEED  <ent>
```

4

Select [TIME SET] by pressing the **▲** **▼** keys.

```
MACHINE SETUP2
TIME SET       <ent>
```

5

Press the **ENTER** key twice.

```
TIME SET
2012.10.05  15:30:00
```

6

Input time by the pressing the **▲** **▼** **◀** **▶** keys.

Year/Month/Day/Time selecting : by the **◀** **▶** keys.

Year/Month/Day/Time inputting : by the **▲** **▼** keys.

7

Press the **ENTER** key.

• The input time is indicated.

```
TIME SET
2012.10.05  15:30:00
```

8

Press the **END** key several times to end.

### Important!

- The setting of past time is settable only for time up to 8 hours earlier than the presently indicated time.
- If future time is set by mistake, the previously set time can be set back by the following operations in step 7.

(1) Press the **FUNCTION** key in step 7. (The input time and the previously set time are indicated.)



(2) Press the **ENTER** key.

Only one change of previous setting can be set back. The time before changed is proceeding by the elapsed time.



## Setting Unit

Set a unit of measurement to be used in the machine.





- 1** Press the **FUNCTION** key in the local mode.



FUNCTION  
 SETUP <ENT>
- 2** Select [MACHINE SETUP 2] by pressing the   keys.



FUNCTION  
 MACHINE SETUP2 <ENT>
- 3** Press the **ENTER** key.

MACHINE SETUP2  
 CONFIRM.FEED <ent>
- 4** Select [UNIT SETUP] by pressing the   keys.

MACHINE SETUP2  
 UNIT SETUP <ent>
- 5** Press the **ENTER** key.

TEMP : LENGTH  
 °C : mm
- 6** Select the unit by pressing the     keys.

Item selecting : by the   keys

Unit setting : by the   keys
- 7** Press the **ENTER** key.

MACHINE SETUP2  
 UNIT SETUP <ent>
- 8** Press the **END** key several times to end.

## Setting Machine name

Set a machine name (machine No.) for recognizing each machine when plural machines are connected through USB2.0 interface.

1

Press the **FUNCTION** key in the local mode.

```
FUNCTION
SETUP          <ENT>
```

2

Select [MACHINE SETUP 2] by pressing the **▲** **▼** keys.

```
FUNCTION
MACHINE SETUP2 <ENT>
```

3

Press the **ENTER** key.

```
MACHINE SETUP2
CONFIRM. FEED  <ent>
```

4

Select [MACHINE NAME] by pressing the **▲** **▼** keys.

```
MACHINE SETUP2
MACHINE NAME  <ent>
```

5

Press the **ENTER** key.

```
MACHINE NAME
JV33-01      <ent>
```

6

Select the machine name (01 - 99) by pressing the **▲** **▼** keys.

```
MACHINE NAME
JV33-10      <ent>
```

7

Press the **ENTER** key.

```
MACHINE SETUP2
MACHINE NAME  <ent>
```







8

Press the **END** key several times to end.



## Setting Key buzzer

Set a buzzer sound of the time when a key is pressed.

- |          |   |  |
|----------|---|--|
| <b>1</b> | Press the <b>FUNCTION</b> key in the local mode.  | FUNCTION<br>SETUP <ENT>                                      |
| <b>2</b> | Select [MACHINE SETUP 2] by pressing the   keys. | FUNCTION<br>MACHINE SETUP2 <ENT>                             |
| <b>3</b> | Press the <b>ENTER</b> key.   | MACHINE SETUP2<br>CONFIRM. FEED <ent>                        |
| <b>4</b> | Select [KEY BUZZER] by pressing the   keys.       | MACHINE SETUP2<br>KEY BUZZER <ent>                           |
| <b>5</b> | Press the <b>ENTER</b> key.   | KEY BUZZER<br>SETUP : <input checked="" type="checkbox"/> ON |
| <b>6</b> | Select ON/OFF by pressing the   keys.         | KEY BUZZER<br>SETUP : <input type="checkbox"/> OFF           |
| <b>7</b> | Press the <b>ENTER</b> key.   | MACHINE SETUP2<br>KEY BUZZER <ent>                           |
| <b>8</b> | Press the <b>END</b> key several times to end.  |  |



- A buzzer sound at Error/Warning/Operation completion cannot be cancelled even when the setting is turned to "OFF".

# Extension of Ink Expiry Month

Ink expiry month can be extended for six months from the expired month. When used without extension, ink becomes unusable after two months of the expiry month.

## Extension of Ink Expiry Month

The following setting or confirmation screen appears when the power of this machine is turned on, or when expired ink cartridge is set.



- An ink cartridge that is once set [YES] for extension cannot be changed the setting.
- To extend multiple inks' expiry month at a time, set the expired ink cartridges, and then set the extension.
- Extension of ink expiry month may lower the print image quality or print quality such as color difference or banding. Please understand them when extending ink expiry month.
- When initial filling, the ink expired more than two months ago cannot be used.

1

When a screen shown on the right appears, go to the next step.

EXTEND EXPIRE DATE?  
YES< >NO

alternately  
displayed



NOT RECOMMENDED!!  
YES< >NO

2

Press the to select [YES].

- When the ink expiry month is not extended, select [NO]. In this case, the ink will be disabled after two months of the expiry month.

EXPIRE DATE EXTENDED  
PRESS [ENT]

3

Press the key.

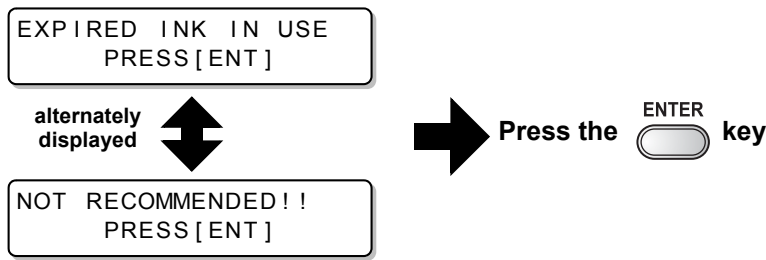
- Ink expiry month is extended.



- When extended six months (six months from the ink expired month) have passed, a message "COMPLETELY EXPIRED" appears and the ink becomes unusable. Immediately replace the ink cartridge with a new one.
- If ink expiry month is extended, the cartridge LED blinks in green while supplying ink from the extended cartridge.

## When a cartridge extended the expiry month is set

When a cartridge extended the expiry month is set and the power is turned on, or when a cartridge extended the expiry month is set to this machine, the following screen appears.

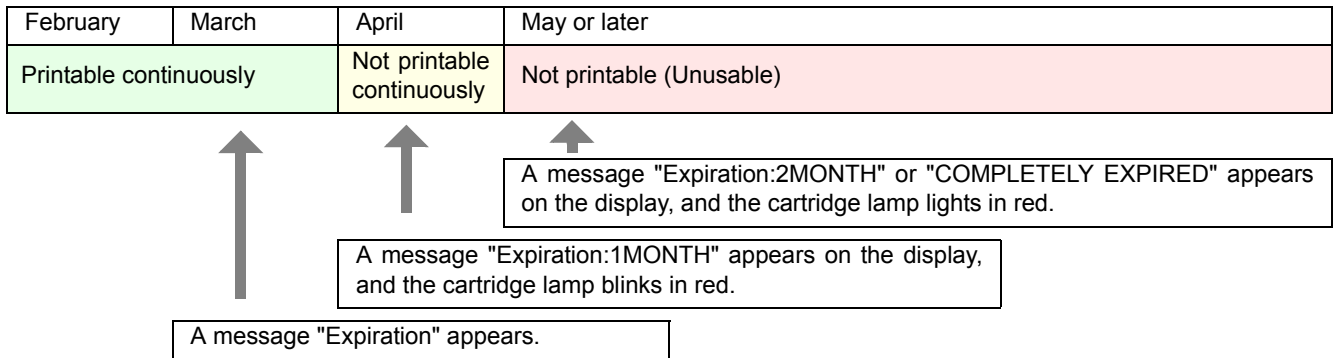


- To check expired ink, press the **FUNCTION** key while displaying the screens above alternately.

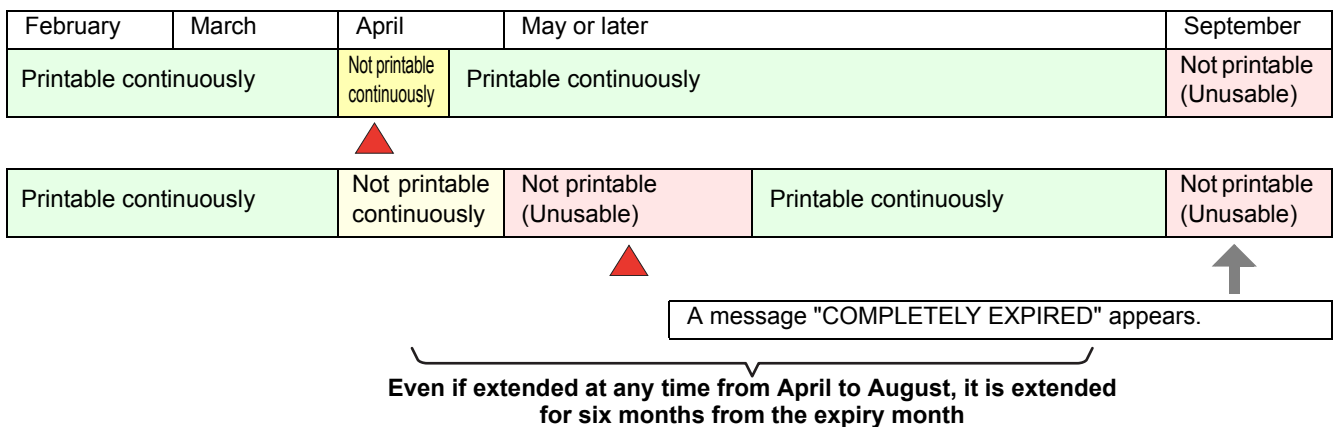
## When an ink expiry month is extended

Example: If expiry month of your ink cartridge is February 2014.

- When the expiry month is not extended



- When the expiry month is extended (When extended at the time of ▲ )



# Switch Setting of Ink Supply Path

For the ink supply, condition of the ink cartridge to be used first by the double-cartridge automatic switching function can be selected.

This setting is only available for 4-color set.

**Important!**

- When expired ink cartridge is set, the expired cartridge is used first regardless of the setting below.
- When the optional bulk ink system (MBIS) is used and the MBIS is set in both slots, the setting below is effective.
- When both an ink cartridge and the bulk ink system (MBIS) are set in the supply paths of the same color, see the next page.

**1**

Press the **FUNCTION** key in the local mode.

```
FUNCTION
SETUP          <ENT>
```

**2**

Select **[MACHINE SETUP]** by pressing the **▲** **▼** keys.

```
FUNCTION
MACHINE SETUP <ENT>
```

**3**

Press the **ENTER** key.

**4**

Select **[CART.PRIORITY]** by pressing the **▲** **▼** keys.

```
MACHINE SETUP
CART.PRIORITY <ent>
```

**5**

Press the **ENTER** key.

**6**

Select the condition of ink to be used first by pressing the **▲** **▼** keys.

```
CART.PRIORITY
SELECT      : INK LEVEL
```

**INK LEVEL** : Low ink cartridge is used first  
**EXP. DATE** : Close-to-date ink cartridge is used first

**7**

Press the **ENTER** key.

**8**

Press the **END** key several times to end.

## When both ink cartridge and MBIS are used

When both an ink cartridge and the optional bulk ink system (MBIS) are set in the supply paths of the same color for 4-color ink set, you can select the ink to be used first.



- Usually, when both an ink cartridge and the bulk ink system (MBIS) are set in the supply path of the same color, the ink in the bulk ink system (MBIS) is used first.



- This setting is only available for 4-color set.
- If supply path does not have both ink cartridge and the bulk ink system (MBIS), this function cannot be set.
- Pull out the ink cartridge selected on this function or turn the power on again to disable the setting.

**1** Press the **ENTER** key in the LOCAL or the REMOTE mode.

BS*	MMCCYYKK
REMA I N	3 4 5 6 7 8 9 9

**2** Press the **REMOTE** key..

BULK / CART SELECT	
-	<b>B</b> B B

Displays the currently supplying ink.  
**B**: Bulk ink system (MBIS)  
**C**: Ink cartridge  
**-**: Only one type is set

**3** Press the **▲ ▼ ◀ ▶** key to set the supply path and the ink to be used first.

BULK / CART SELECT	
-	<b>C</b> B B





- Select the supply path : Press the **◀ ▶** key.  
 Select the ink to be used first: Press the **▲ ▼** key.

**4** Press the **ENTER** key.

- It enters in the LOCAL or the REMOTE mode.

# Confirming machine information

The machine information of the machine is confirmable.  
Confirmable items of the machine information are as follows.


Item	Description
ERROR HISTORY	Displays the history of errors and warnings. Using the  or  key, the errors and warnings can be displayed one by one in the order of occurrence.
MAINTE. HISTORY	Displays the records of the date and time when maintenance functions were used. It displays chiefly manual cleaning functions or automatic cleaning functions (by ROUTINE SETUP or SLEEP SET UP).
PRT.modeHISTORY	Displays the information (printing conditions) of the online printing that has been performed up to now since power-on. (Max. 50) Using  or  key, the display can be changed in the order of printing.
LIST	Prints the settings of the machine.
Ink REPL. Report <sup>*1</sup>	Prints history of ink used on the machine.
VERSION	Displays version information of the machine.
Serial No.	Displays serial No. of the machine.

\*1. This function is valid when the firmware Ver.3.20 or later is installed.

## Displaying Information

1

Press the  key in the local mode.

- To print the machine information, set a media to the machine.  
( P.2-6)

```
FUNCTION  
SETUP <ENT>
```

2

Select [INFORMATION] by pressing the   keys.

```
FUNCTION  
INFORMATION <ENT>
```

3

Press the  key.

```
INFORMATION  
ERROR HISTORY <ent>
```

4

Select the type of information by pressing the   keys.

5

Press the  key.

- The information is displayed.
- When [List] or [Ink REPL. Report] is selected, the machine information is printed.

## For the information displayed

This section describes the way to read the information displayed.

<p><b>ERROR HISTORY</b></p> <p>Displaying the occurrence date</p> <div style="border: 1px solid black; padding: 5px; width: fit-content; margin: 5px auto;">             ERROR HISTORY              [01] 12.10.10 12:15         </div> <p style="text-align: center;">◀   ▶</p> <p>Displaying the contents of error</p> <div style="border: 1px solid black; padding: 5px; width: fit-content; margin: 5px auto;">             ***** ERROR 09 *****              HDC ERROR         </div>	<p><b>MAINT. HISTORY</b></p> <p>Displaying the contents of maintenance</p> <div style="border: 1px solid black; padding: 5px; width: fit-content; margin: 5px auto;">             [01] 12.10.10 12:15              CARRIAGE OUT         </div> <p><b>VERSION</b></p> <p>Displaying the version information such as F/W or the like.</p> <div style="border: 1px solid black; padding: 5px; width: fit-content; margin: 5px auto;">             JV33-260BS      V5.00              MRL-III          V1.20         </div>
<p><b>PRT.modeHISTORY</b></p> <p>Displaying the resolution, the length printed or the like.</p> <div style="border: 1px solid black; padding: 5px; width: fit-content; margin: 5px auto;">             [01] 720x1080 .12              Bd.Vd.x1.1L: 12.34m         </div> <p style="text-align: center;">◀   ▶</p> <p>Displaying the date printed</p> <div style="border: 1px solid black; padding: 5px; width: fit-content; margin: 5px auto;">             PRINTmode HIST.              [01] 12.10.10 12:15         </div>	<p><b>Serial No.</b></p> <p>Displaying Serial No.</p> <div style="border: 1px solid black; padding: 5px; width: fit-content; margin: 5px auto;">             SERIAL No.              *****         </div>





# CHAPTER 4

## *Double Sided Printing*



This chapter describes settings and procedures for double sided printing.

<b>Printing on Double Side .....</b>	<b>4-2</b>
Workflow of double sided printing .....	4-2
Printing Area for double sided printing .....	4-3
Printing on Front Side .....	4-5
Setting the Double Side Mode .....	4-8
Printing on Back Side .....	4-10

# Printing on Double Side

## Workflow of double sided printing

Print on double side with the following workflow.

### 1 Print on the front side

When printing on double side, print on front side first, not on back side.

- Since the machine reads the pattern printed on the front side and positions the back side, back side cannot be printed first.

### 2 Dry the front side of the media well (about one day)

After printing on the front side, dry the printed media well for about one day.

- If printing on back side before drying the front side well, the media may not be properly fed.

### 3 Print on the back side

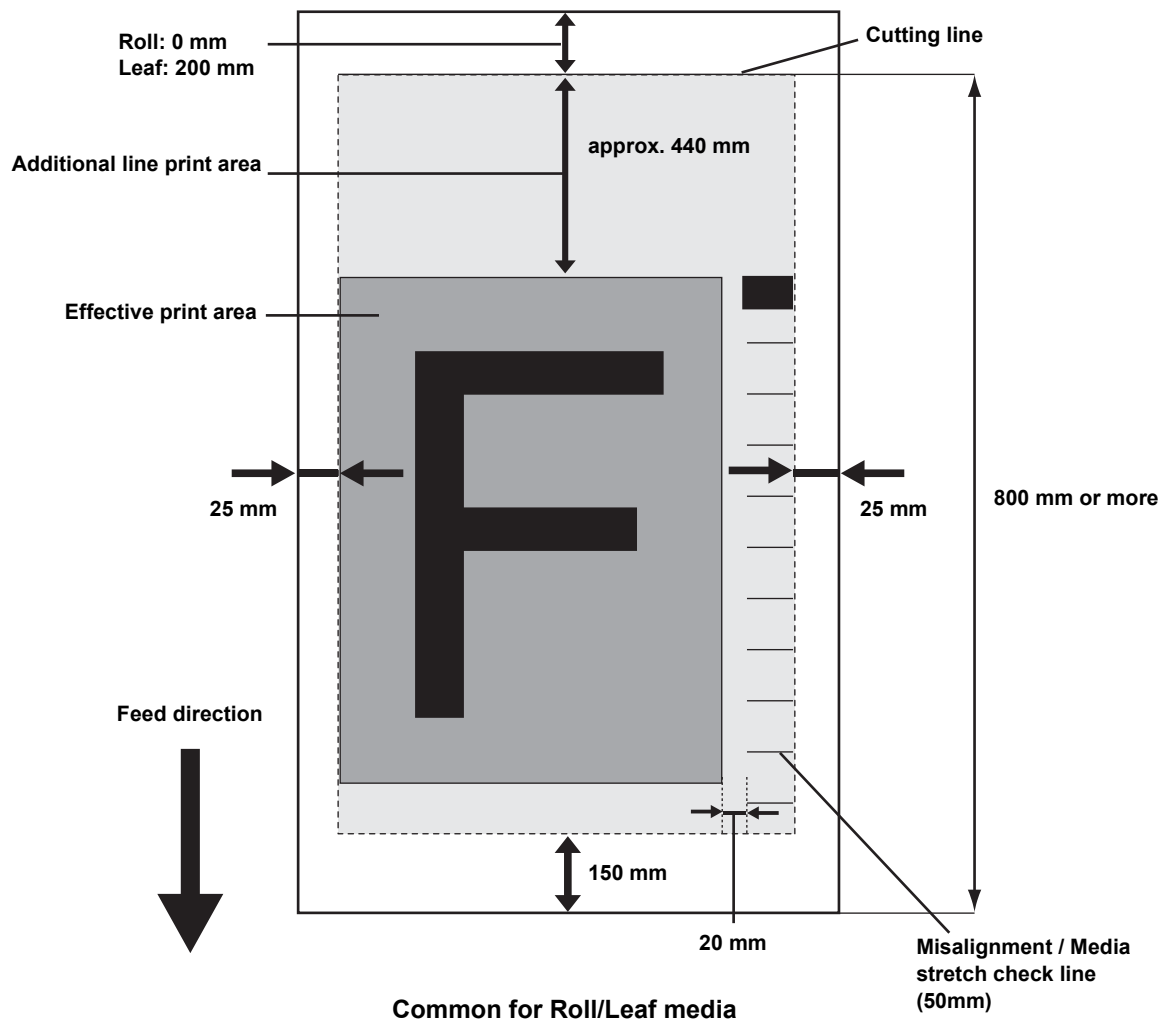
Print on the back side.

## Printing Area for double sided printing

The following is the effective printing area (data printing area) for double sided printing with this unit. In the area enclosed in dotted line, several lines are printed to align the printing position of the front and the back.

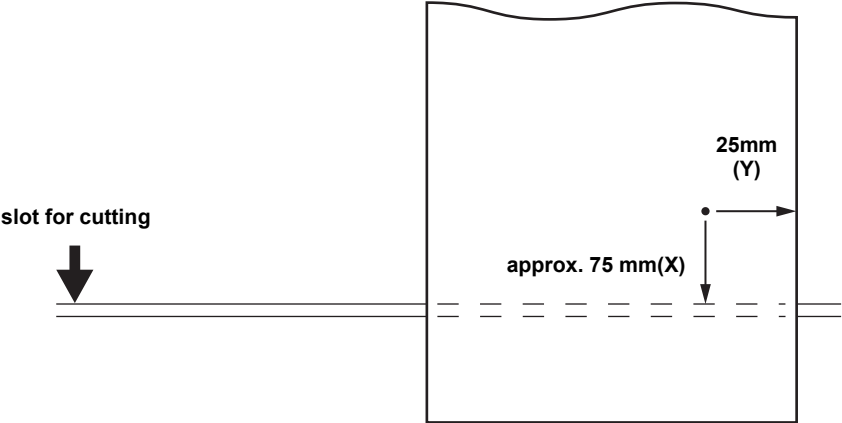
**Important!**

- **When printing on the double side, Misalignment / Media stretch check lines (50mm) and a margin (20mm) are automatically added.**  
Therefore, the printable width of data is the area less the sum of the width above (70mm).
- **To print on the back side, a length of 800 mm or more is necessary from the front edge to the cutting line of the media.**  
Be careful to use a cut sheet media. (For a necessary length to cut off the media after printing on front side, see P.4-7.)



# Print Start Position for double sided printing

For feed direction (X), it is positioned approximately 75 mm on the back from the slot for cutting on the platen. For scan direction (Y), it is positioned on 25 mm from the right corner of media. With double sided printing function, the position of scan direction (Y) cannot be changed.



## Printing on Front Side

For operations and settings before printing, see P.2-6 "Setting medias" to P.2-33 "Head cleaning".

**Important!**

- Before printing on roll media, check the media is not slack on the back of the printer. If bowed, rewind the roll media manually to take up the slack. With a slack, it may cause defective printing.
- When using RIP software made by another company, refer to the operation manual of the software used.

**1**

**Set media.** (👉 P.2-6)

**2**

**Check the heater temperature.**

- Check CONSTANT lamp on the heater panel is lighting in green.

**3**

**Press **REMOTE** key.**

- Printes switches to REMOTE mode.
- You can check the selected type (print condition).

* REMOTE . 1 *	[ # 0 1 ]
	0 . 0 0 m

**4**

**Start Raster Link Pro5, and select data to print**

- for details about image selection, see Reference Guide (Common features for every printer) of Raster Link Pro5.

**5**

**Set the print condition on Raster Link Pro5.**

- (1) Select [Front side] in Double sided printing.
- (2) Click [OK].

**6**

**Start printing on Raster Link Pro5.**

- Right-click the image to print, select [RIP and Print] or others, and start printing.
- When printing on the front side, the following settings are fixed.

Setting	Fixed value
Right and left margin (in the effective print area)	0mm
Color pattern	OFF
Setting of crosswise origin by jog key	invalid
Stamp	OFF

**4**

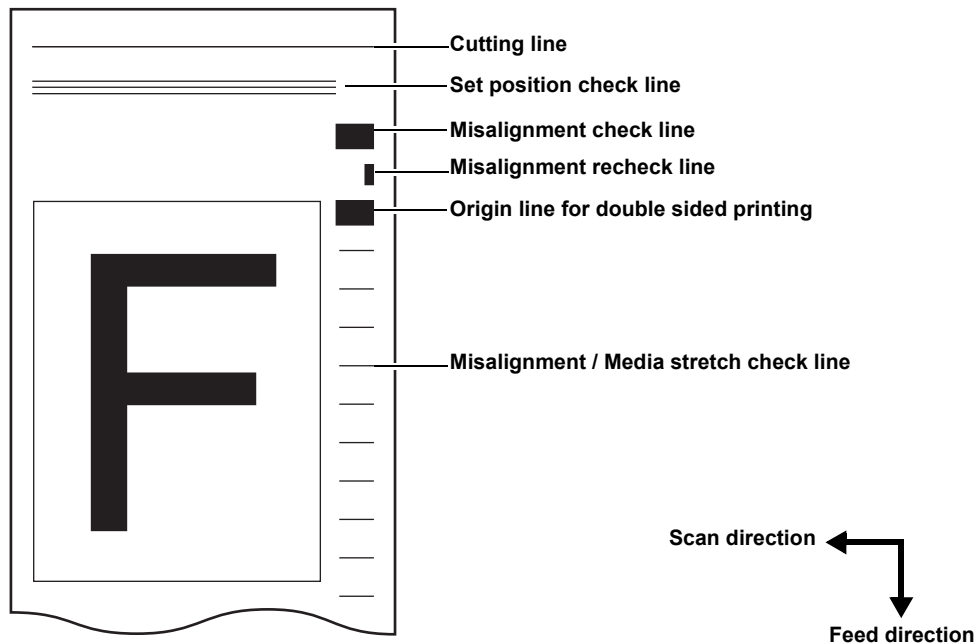
Double Sided Printing

# 7

## Check the print.

- The following lines are automatically printed with images on the front side.

Line name	Description
Cutting line	When printing on the back side, align this line printed on media with the printer (platen).
Set position check line	When printing on the back side, check the setting position of media with this line.
Misalignment check line	Check misalignment of the front and the back side with this line.
Misalignment recheck line	Check misalignment of the front and the back side with this line before printing image data.
Origin line for double sided printing	This line is the origin of feed direction for printing on the back side. Printer automatically detects this line.
Misalignment / Media stretch check line	When printing on the back side, media stretch created at printing on front side is detected with this line. Media stretch is created by solvent.

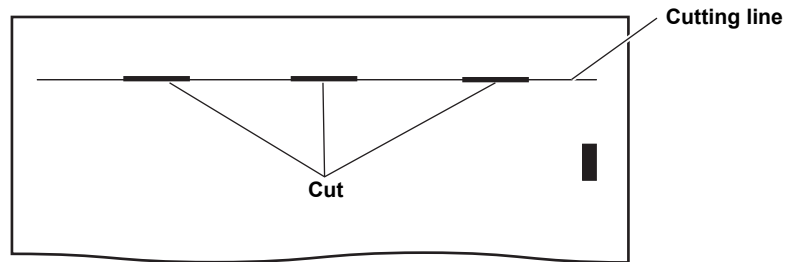


8

**Cut several places of media along the cutting line.**

- Along the printed cutting line, cut several places of media with a cutter.

Media



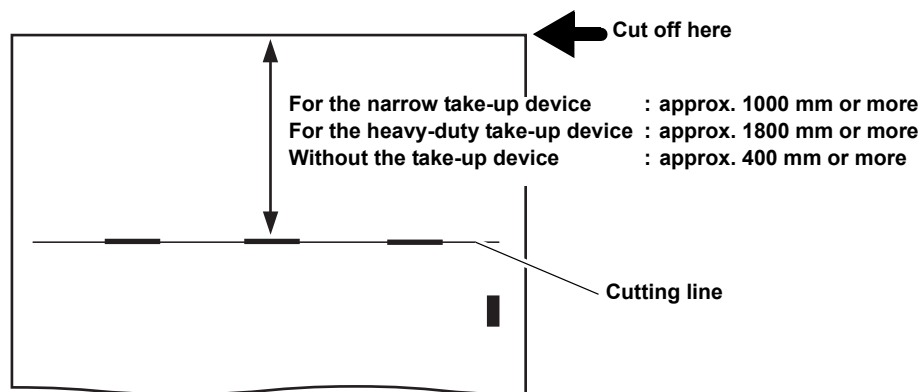
**Important!**

- Do not cut the edge of the media. The edge may be lifted and may scrape against the head.

9

**Cut off the media.**

- Cut off the media at the following position.
  - When the narrow take-up device is used : Cut off at a position of approximately 1000 mm or more from the cutting line.
  - When the heavy-duty take-up device is used : Cut off at a position of approximately 1800 mm or more from the cutting line.
  - When the take-up device is not used : Cut off at a position of approximately 400 mm or more from the cutting line.



## Setting the Double Side Mode

Set for double sided printing.

Setting	Description
Print of Back Side	Select "ON" to print on the back side.
INK LAYERS	Set the number of ink layers to print on the back side.
MEDIA DETECT	When the printing media reaches the specified length, media is detected again to adjust the media misaligned position by skew or others.

1

Press **FUNCTION** key in the local mode.

```
FUNCTION
SETUP          <ENT>
```

2

Select **[MACHINE SETUP]** by pressing the **▲▼** keys.

```
FUNCTION
MACHINE SETUP <ENT>
```

3

Press the **ENTER** key.

```
MACHINE SETUP
DEODORIZE FAN <ent>
```

4

Select **[Double Side Mode]** by pressing the **▲▼** keys.

```
MACHINE SETUP
DoubleSide Mode<ent>
```

5

Press the **ENTER** key.

```
DoubleSide Mode
PrintOfBackSide<ent>
```

6

Press the **ENTER** key.  
• The setting "Print Of Back Side" is selected.

```
DoubleSide Mode
PrintOfBackSide :OFF
```

7

Select **ON** by pressing the **▲▼** keys.  
• °Select ON to print on double side.

```
DoubleSide Mode
PrintOfBackSide :ON
```

8

Press the **ENTER** key.

```
DoubleSide Mode
PrintOfBackSide<ent>
```

9

Select **[INK LAYERS]** by pressing the **▲▼** keys.

```
DoubleSide Mode
INK LAYERS      <ent>
```

10

Press the **ENTER** key.  
• The setting "INK LAYERS" is selected.

```
DoubleSide Mode
INK LAYERS      : 2
```





**11** Press the   to set the number of ink layers (1 to 9).

- Set the number of ink layer for printing on the back side.

```
DoubleSide Mode
INK LAYERS      : 4
```

**12** Press the  key.

```
DoubleSide Mode
PrintOfBackSide<ent>
```



**13** Select [MEDIA DETECT] by pressing the   keys.

```
DoubleSide Mode
MEDIA DETECT  <ent>
```

**14** Press the  key.

- The setting "MEDIA DETECT" is selected.

```
DoubleSide Mode
DetectINTVL:OFF
```

**15** Press the   to set the detection interval (OFF/ 10 to 10000 mm).

- Set the interval to check the media misalignment.

```
DoubleSide Mode
DetectINTVL:1000 mm
```

**16** Press the  key.

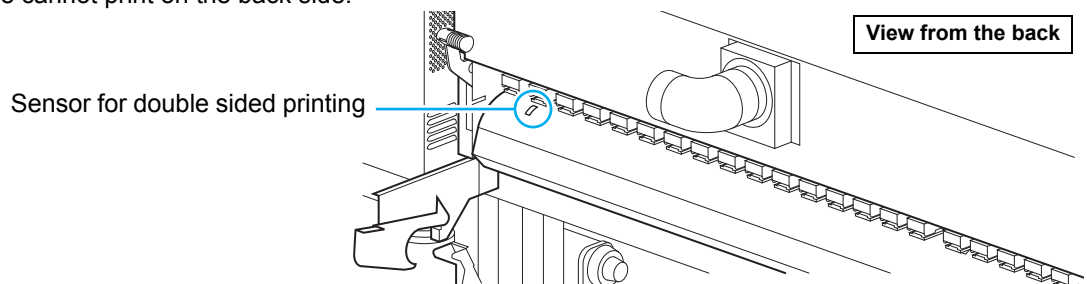
**17** Press the  key several times to end.

## Printing on Back Side

After drying the front side of the media well, print on the back side.  
Put media on the machine facing the front side downward (on the platen).

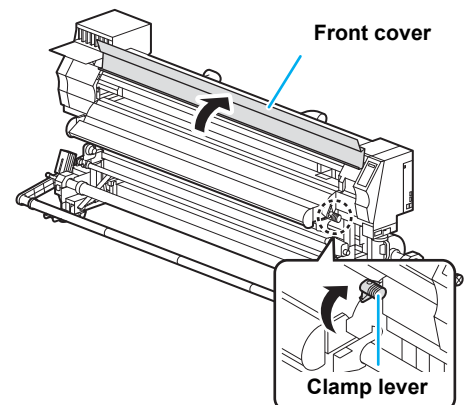
**Important!**

- **Dry the media well.**  
When front side is printed, dry the printed media well (Drying time is about 1 day as a guide).  
If printing on back side before drying well, the media may not be properly fed.
- Be sure to set the Double Side Mode in the MACHINE SETUP before printing on back side.
- **Before printing on the back side, adjust the media feed rate again.** (☞ P.3-5)  
If feeding rate is not adjusted, feeding direction is not correctly positioned.
- When using the take-up device, check the front is parallel to the back with the following way, then set the media to the take-up device. If media is set to the take-up device before checking, setting the media again may be hard.
- When using the heavy-duty feeding device, check the front is parallel to the back, then lift the tension-bar down. If the tension-bar is lifted down before checking, setting the media again may be hard.  
In addition, if the media tension differs between right and left when stretching media with the tension-bar, the media cannot be fed correctly.  
In this case, do not use the heavy-duty feeding device.
- Set media on the position that passes the Misalignment / Media stretch check line above the sensor for double sided printing.  
If the media stretch detection line does not pass above the sensor for double sided printing, the machine cannot print on the back side.



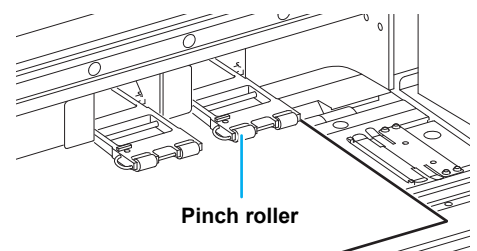
**1**

Open the front cover and raise the clamp lever.



**2**

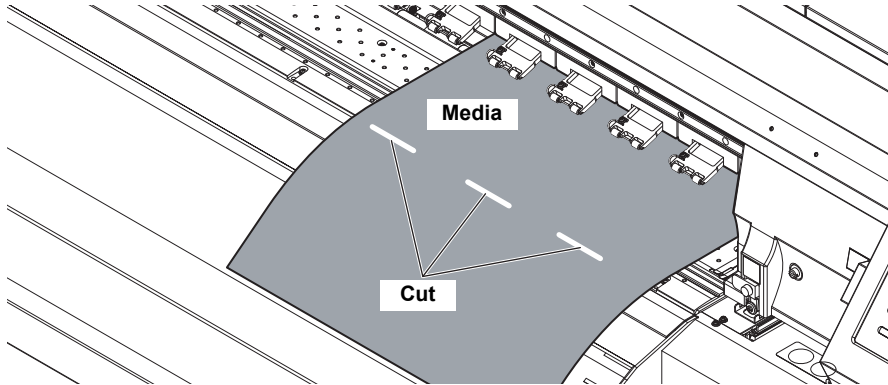
Insert the media between the platen and the pinch rollers.



3

**Set the media so that the cuts on the cutting line become parallel to the line of the platen.**

- Set on the platen line, whichever is easier to check.



4

**Push down the clamp lever**

- Media detection starts.
- When media detection is completed, media type selection screen appears.

5

**Select the media type (translucent or opaque media).**

- After selecting media type, set position check line is automatically printed, and the lines are fed up to the LED light unit (option).

BackSidePRT.PREPER.  
Media : Translucent

6

**Check the media is set parallel.**

- Check the media is set parallel with the print on the front side.

Set position check line



Good: parallel



Not good: not parallel



7

**If the media is set parallel, press the **ENTER** key.**

- If the media is not set parallel, raise the clamp lever and follow from the Step 3 again.
- The set position check line can be printed up to six times. When setting the media again, check the newly printed lines are parallel to the front side.
- When using the take-up device, check the lines are parallel, and set the media on the take-up device.

8

**Start Raster Link Pro5, and select an image to print.**

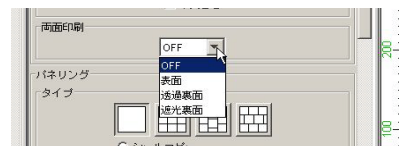
- For details about image selection, see Reference Guide (Common features for every printer) of Raster Link Pro5.

4

Double Sided Printing

# 9

## Select the Image Edit tab of Raster Link Pro5, and set the print condition.



- Set the print condition for the media type selected on the Step 5.

### When translucent media is selected on the Step 5

Select [Translucent Back side] on [Double sided printing] of Raster Link Pro5.

### When opaque media is selected on the Step 5

Select [Opaque Back side] on [Double sided printing] of Raster Link Pro5.



- If the different media type from the selected one on the Step 5 is set and printed, an error appears on the printer and the printer does not print.

# 10

## Select the profile for backside on Print Condition tab, and click [OK].



### About profile to be selected for printing on back side

- When printing on the back side of translucent media, select the following profile.  
4-color ink set: 360 x 360, 1 pass
- When Translucent Back side is selected on RasterLinkPro, selecting the mode other than above displays an error.
- When printing on the back side of opaque media, select device profile that is used for normal printing.
- If a profile for translucent media (360 x 360 dpi) is selected while opaque media is selected, it cannot print with the specified size. (If a profile for translucent media is used, the printer starts printing by Raster Link Pro5, then printer displays parameter error, and it prints the rest by fixed mode (720 x 720, 8pass).

# 11

## Start printing on Raster Link Pro5.

- Right-click the image to print, select [RIP and Print] or others, and start printing.  
For details, see Reference Guide (Common features for every printer) of Raster Link Pro5.
- When printing on back side, the following settings are fixed.

Setting	Fixed value	Setting	Fixed value
Right and left margin (in the effective print area)	0mm	Stamp	OFF
		Setting of media feed	Normal
Color pattern	OFF	Pre-feed	OFF
Setting of crosswise origin by jog key	invalid		

# 12

## When the printer receives the data for backside-print, it prints Misalignment check line for scan direction.

### 13 Adjust misalignment of scan direction on both sides.

```
BackPrint POS.COMP.
Y:+ < 1.3mm > -
```

- Press the keys and adjust the position.

Misalignment check line for scan direction



No misalignment  
(No need to adjust)



Adjust to minus direction.  
If 1 mm misaligned, press  
 key to adjust -1mm.



Adjust to plus direction.  
If 1 mm misaligned, press  
 key to adjust +1mm.

**Important!**

- Depending on media types, you cannot check the misalignment visually since the front line cannot be seen from the back. In this case, slit up on the reference position with a cutter, measure the length to the check line, and then input the difference with the jog key.

### 14 Press the key.

### 15 Adjust the misalignment of the feed direction.

```
BackPrint POS.COMP.
X:+ ^ 1.3mm v -
```

- Press the keys and adjust the position.

Misalignment check line



No misalignment  
(No need to adjust)



Adjust to minus direction.  
If 1 mm misaligned, press  
 key to adjust -1mm.



Adjust to plus direction.  
If 1 mm misaligned, press  
 key to adjust +1mm.

**Important!**

- Depending on media types, you cannot check the misalignment visually since the front line cannot be seen from the back. In this case, slit up on the reference position with a cutter, measure the length to the check line, and then input the difference with the jog key.

### 16 Press the key.

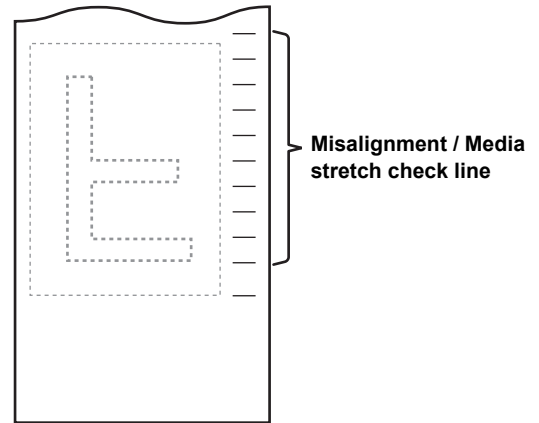
- Printing on the back side starts.
- When translucent media is selected, the Misalignment recheck line is printed before image data.
- If the scan direction is misaligned after checking the recheck line, press the key to stop printing, and follow from the Step 1 again.

## Adjust the misalignment during printing on back side (Only for translucent media)

If the print is misaligned in the scan direction or in the feed direction during printing image data on back side, adjust the misalignment as follows.

### ● How to check the misalignment of the print

Check the misalignment during printing image data with the Misalignment / Media stretch check lines.



### ● How to adjust the misalignment of the print

Press the to adjust the misalignment, and press the key.

To adjust the misalignment in the scan direction : Press the .

To adjust the misalignment in the feeding direction : Press the .

Press the to adjust the feed direction (X).

Press the to adjust the scan direction (Y).

X : +		1 . 0mm		-
Y : +		1 . 3mm		-



Press the key.

# CHAPTER 5

## Routine Maintenance



This section describes the items required to use this machine more comfortably, which are the procedures of ink replacing, cleaning or the like.







<b>Maintaining</b> .....	<b>5-2</b>	<b>Preventing nozzle clogging while power-off</b> .....	<b>5-27</b>
Precautions in cleaning .....	5-2	Setting refreshing interval in Sleep mode .....	5-27
Notes on cleaning solution .....	5-2	Setting tube washing interval in Sleep mode .....	5-28
Cleaning exterior surfaces .....	5-3	Setting cleaning interval in Sleep mode .....	5-29
Cleaning the platen .....	5-3	<b>Setting Routine operations</b> .....	<b>5-30</b>
Cleaning of after heater cover and pre heater cover .....	5-3	Setting Routine wiping operations in Standby mode .....	5-30
Cleaning the media sensor .....	5-4	Setting Refreshing interval in Standby mode .....	5-32
Cleaning the media press .....	5-4	Setting Pump tube washing interval in Standby mode .....	5-33
<b>Maintaining Capping station</b> .....	<b>5-5</b>	Setting Cleaning interval in Standby mode .....	5-34
Cleaning the wiper and ink caps .....	5-5	<b>Other maintenance functions</b> .....	<b>5-35</b>
Replacing the wiper .....	5-7	Changing the warning time of wiper replacement .....	5-35
Before washing ink discharge passage .....	5-8	Setting the media remaining display ...	5-36
Washing of Head nozzle .....	5-10	If Waste ink tank confirming message is displayed .....	5-38
Cleaning the ink discharge passage (PUMP TUBE WASH) .....	5-12	<b>Replacing the cutter blade</b> .....	<b>5-42</b>
When not using for a long term (CUSTODY WASH) (firmware Ver.3.20 or older) .....	5-14		
When not using for a long term (firmware Ver. 3.30 or later) .....	5-16		
<b>Cleaning heads and surroundings parts</b> .....	<b>5-19</b>		
<b>When Nozzle clogged after cleaning</b> .....	<b>5-21</b>		
Filling up ink .....	5-21		
DISCHARGE & WASH .....	5-22		
Initial ink fill up .....	5-24		
<b>If dots misalign</b> .....	<b>5-26</b>		

# Maintaining

Be sure to perform maintenance of the machine periodically or whenever necessary so that the machine can be used with its inherent accuracy for a long time.

## Precautions in cleaning

Pay attentions to the following items when the machine is maintained.

	<ul style="list-style-type: none"> <li>When using the cleaning solution, be sure to wear the supplied protective glasses.</li> </ul>
	<ul style="list-style-type: none"> <li>The ink contains an organic solvent. When performing cleaning, be sure to wear gloves so that no ink will come in contact with your skin.</li> </ul>
	<ul style="list-style-type: none"> <li>Never disassemble the machine. Disassembling it can result in electric shock hazards or damage to the machine. Before starting maintenance work, be sure to turn off the power switch and unplug the power cable; otherwise, an unexpected accident may occur.</li> </ul>
	<ul style="list-style-type: none"> <li>Prevent moisture from entering the machine. Moisture inside the machine can cause electric shock hazards or damage to the machine.</li> </ul>
	<ul style="list-style-type: none"> <li>To ensure reliable ink jetting, it is necessary to have the machine perform ejection of a fine amount of ink (flushing) periodically while printing (output) is suspended for an extended period of time.</li> <li>When printing is to be suspended for a long time, turn off only the power switch in the front of the machine; leave the main power switch at the rear of the machine turned ON (in the position of   ) and leave the power cable connected.</li> </ul>
	<ul style="list-style-type: none"> <li>If organic solvent ink is mixed with water or alcohol, coagulation occurs. Do not wipe the nozzle face of the heads, the wiper or caps with water or alcohol. Doing so can cause nozzle clogging or machine failure.</li> <li>Do not use benzine, thinner, or any chemical agent containing abrasives. Such materials can deteriorate or deform the surface of covers.</li> <li>Do not apply lubricating oil or the like to any part inside the machine. Doing so can cause printing failure.</li> <li>Be careful not to allow the cleaning solution or ink to adhere to covers, as this may cause deterioration or discoloring of the surface of covers.</li> </ul>

## Notes on cleaning solution

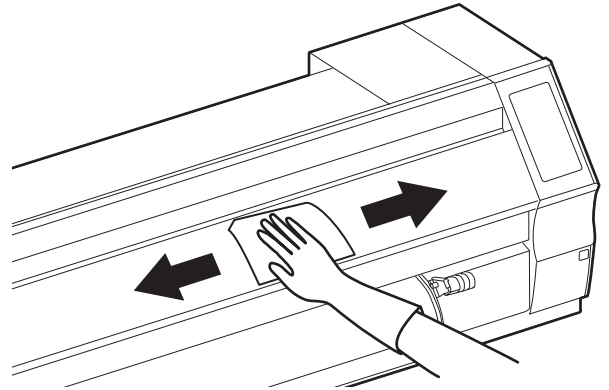
Use the cleaning liquid dedicated for the ink being used.

Type of Ink	Applicable maintenance washings
BS* ink	Cleaning solution BS-CL kit (SPC-0563) BS-CL 220ml WASHING LIQUID (SPC-0562)



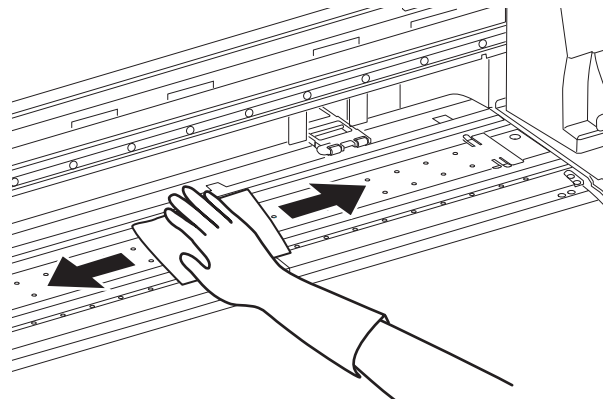
## Cleaning exterior surfaces

If exterior surfaces of the machine is stained, dampen a soft cloth with water or a neutral detergent diluted with water, squeeze it and wipe the surfaces with the cloth.



## Cleaning the platen

On the platen, it is easy to become dirt due to lint, paper dust or the like caused by cutting medias. For a conspicuous stain, wipe it off with a soft-hair brush, a dry cloth, a paper towel or the like.



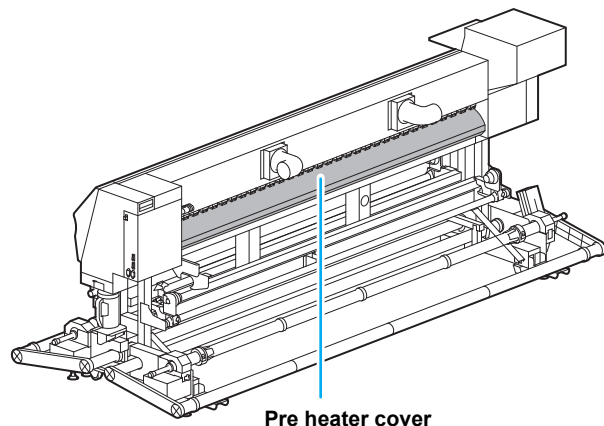
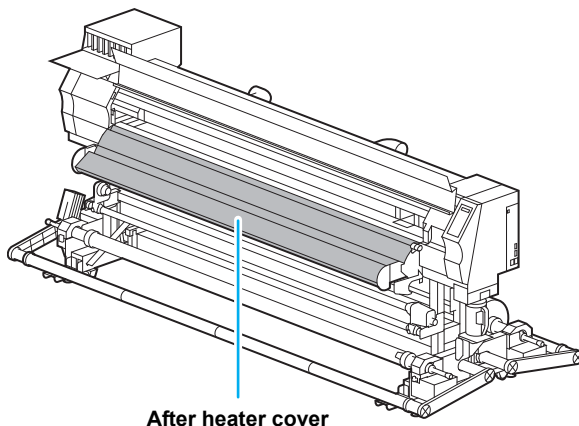
- If it is stained with ink, wipe it off with a paper towel containing a little amount of the cleaning solution.



- Before starting to clean the platen, make sure that the platen has cooled adequately.
- Be sure to clean the slot for media pressing, the slot for paper cutting (the cutter line) or the like since dust and dirt are easily accumulated in these parts.

## Cleaning of after heater cover and pre heater cover

The after heater cover and the pre heater cover are easy to be dirty because of the powder of the medium etc. If it shows dirt, wipe it with a soft cloth soaked in water or waterish mild detergent and wrung.



## Cleaning the media sensor

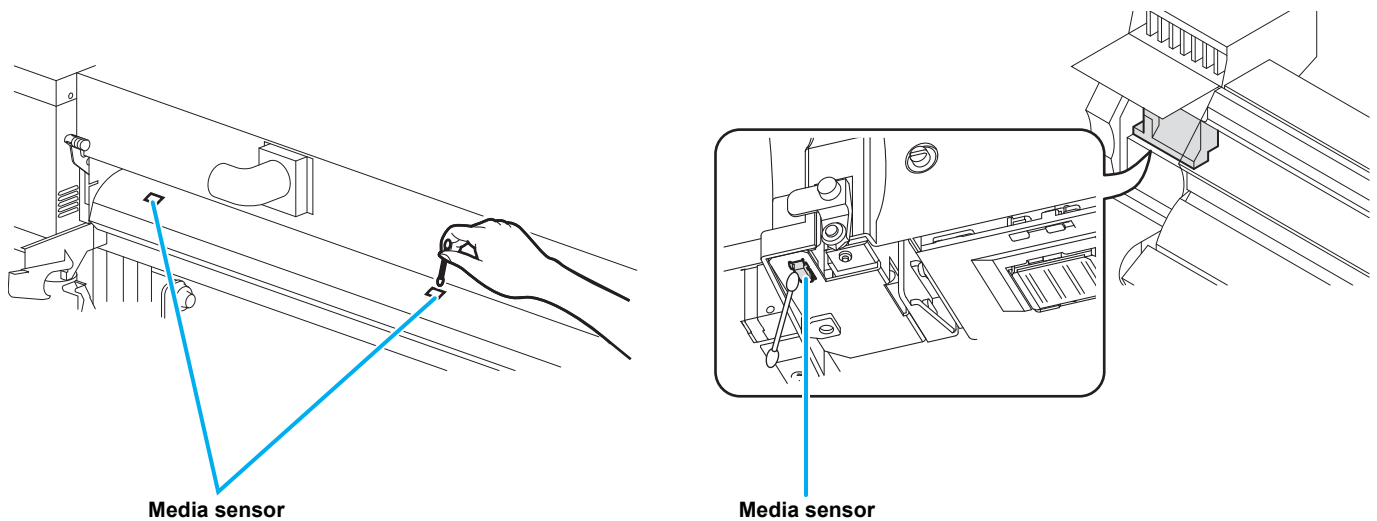
A media sensor is located at the platen on the backside. It may cause misdetection of media when dust or the like is accumulated on the sensor.

Using a cotton swab, clean the surface of the sensor of dust and dirt.

When cleaning the sensor on the lower surface of the head is cleaned, move the carriage to the left end by the operations of step 1 of P.4-16 "Cleaning the heads and their surrounding parts", and then clean it.

The backside of the machine

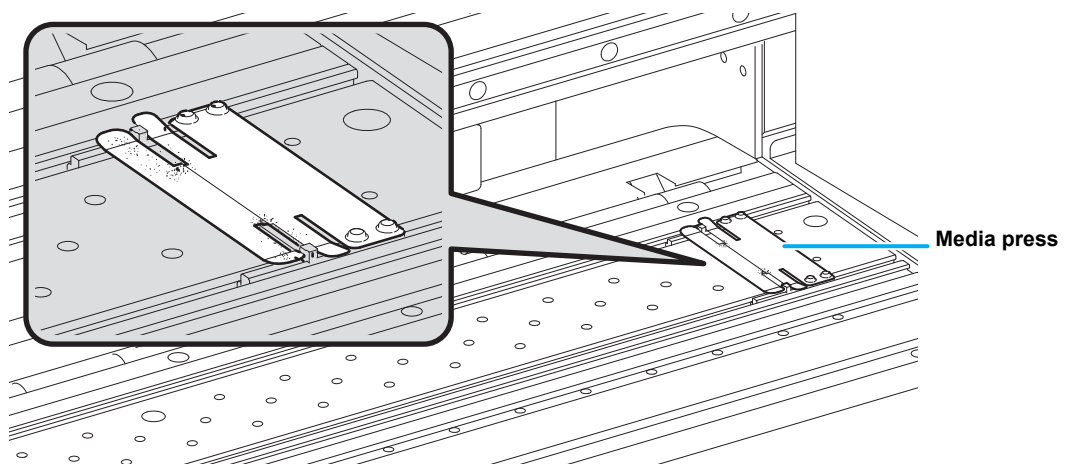
The lower surface of the head



## Cleaning the media press

Media feeding may not operate properly in printing if cutting waste, dust or the like is accumulated on the media press, nor may print properly if dust or the like sticks to the nozzle.

Clean the media press periodically.



# Maintaining Capping station

Maintain Ink cap, Wiper or the like, which are located in the capping station. [ST.MAINTENANCE]

The ink cap and wiper function respectively as follows.

- **Wiper** : Wiping ink sticking to the head nozzle off.
- **Ink cap** : Preventing the head nozzle from clogging due to drying.

As the machine is used, the wiper and ink caps gradually become stained with ink and dust.

Clean it with the cleaning solution and a clean stick unless nozzle missing is cleared even after the head cleaning.

If nozzle missing cannot be corrected even after executing the Head Cleaning (☞ P.2-33) , use Cleaning kit and clean stick.

Tools required for Maintenance	• Kit of cleaning solution for maintenance Cleaning solution BS-CL kit (SPC-0563)		
	• Clean stick (SPC-0527)	• Gloves	• Goggles



- Be sure to wear the attached goggles and gloves for works when the maintenance of the capping station is performed. If not, ink may be caught in your eyes during the works.
- Do not move the carriage out of the capping station by hand.
- When it is desirable to move the carriage, press the **ST.MAINT** key to execute the carriage-out. (☞ P.5-5 the step 1 - 2)

## Cleaning the wiper and ink caps

It is recommended to perform cleaning frequently in order to maintain the high image quality and keep the machine in good condition.



- Clean the wiper and surroundings about twice in a week (it varies, depending on frequency of use of the machine.)
- Replace the wiper with a new one if it is badly soiled or curled. (☞ P.5-7)
- Be careful not to leave lint of the clean stick. Lint may cause printing failure.

**1**

Press the **ST.MAINT** key in the local mode.

ST . MAINTENANCE  
CARRIAGE OUT <ent>

**2**

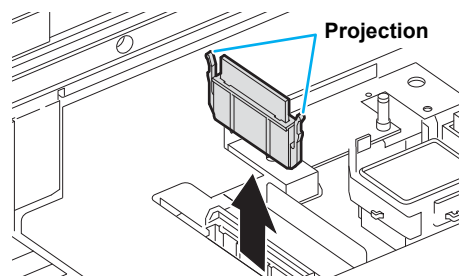
Press the **ENTER** key.

- The carriage moves onto the platen.

**3**

Open the front cover then remove the wiper.

- Pull out the wiper by holding the projections at both ends.

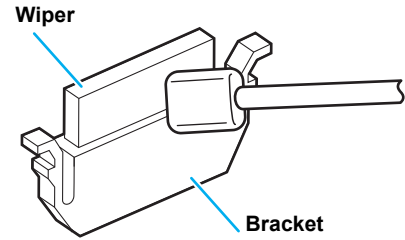


**IP**

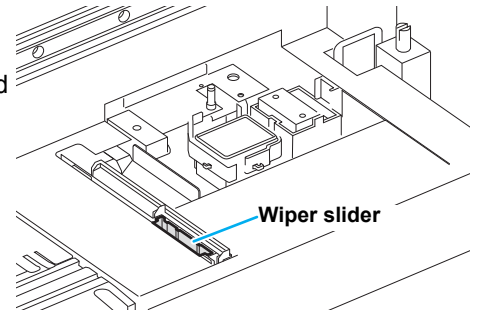
Routine Maintenance

**4****Clean the wiper and bracket.**

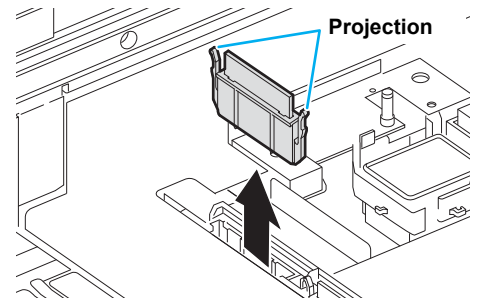
- Wipe ink sticking to the wiper and the bracket off with a clean stick dipped in the cleaning solution.

**5****Clean the wiper slider.**

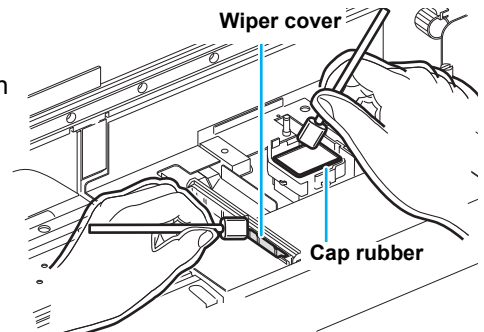
- Wipe ink sticking to the wiper slider off with a clean stick dipped in the cleaning solution.

**6****Set the wiper at the original position.**

- Insert the wiper by holding both ends of the wiper.

**7****Clean the cap rubber and wiper cover.**

- Wipe ink sticking to the cap rubber and the wiper cover off with a clean stick dipped in the cleaning solution.

**8****Close the front cover then press the **ENTER** key.**

- After performing the initial operation, the machine returns to LOCAL mode.

( COVER OPEN )  
PRESS <ENT> KEY



\*Being Initialized\*  
PLEASE WAIT

**Performing the station maintenance without **ST.MAINT** key**

ST.MAINTENANCE is selectable from the local mode by using the **FUNCTION** key, not by pressing the **ST.MAINT** key.

Press the **FUNCTION** key in the local mode.

Select [MAINTENANCE] by pressing the **▲** **▼** keys.

Press the **ENTER** key twice.

- It becomes the same condition as the **ST.MAINT** key is pressed from the local mode.

## Replacing the wiper

The wiper is consumable. When the display indicates that it is necessary to replace the wiper, immediately replace the wiper with a new one. Also, wipe ink sticking to the lower surface of the slider off.

```
<LOCAL . 1>          [#01]
Repl a WIPER<MNT>
```

**Important!**

- The wiper to be newly installed is available as an option. Order it from your dealer or a sales office of MIMAKI.
- Do not select [WIPER EXCHANGE] at any time other than when the wiper is to be replaced. Once it is selected, the number of wiper operations that is counted in the machine will be reset.

**1** Press the **ST.MAINT** key in the local mode.

```
ST . MAINTENANCE
CARRIAGE OUT  <ent>
```

**2** Select [WIPER EXCHANGE] by pressing the **▲** **▼** keys.

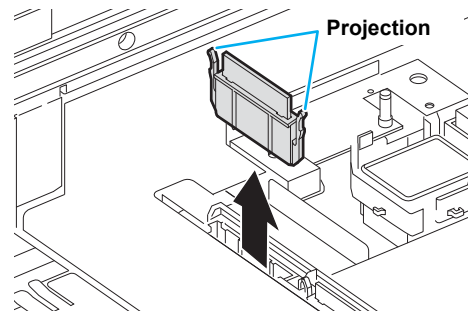
```
ST . MAINTENANCE
WIPER EXCHANGE <ent>
```

**3** Press the **ENTER** key.

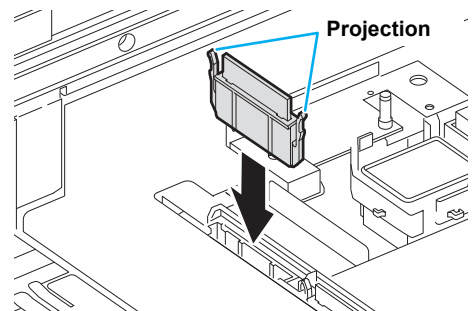
- The carriage moves onto the platen.

```
ST . MAINTENANCE
COMPLETED      :ent
```

**4** Open the front cover then remove the wiper.  
• Pull out the wiper by holding the projections at both ends.



**5** Insert a new wiper.  
• Install the wiper by holding the projections at both ends.



**6** Close the front cover then press the **ENTER** key.  
• After performing the initial operation, the machine returns to LOCAL mode.

```
( COVER OPEN )
PRESS <ENT> KEY
```

```
*Being Initialized*
PLEASE WAIT
```

## Before washing ink discharge passage

Before washing ink discharge passage ([PUMP TUBE WASH], [NOZZLE PROTECT] (firmware Ver. 3.30 or later)), it is necessary that maintenance washing liquid has been filled in the tube.



- When the following messages are indicated, check the waste ink tank, and then operate it, referring to P.5-38 "If Waste ink tank confirming message is displayed" according to the situation.

Confirm a waste tank  
Continue< >Exchange

Confirm a waste tank  
Exchange :ent

## Filling Cleaning solution

1

Select [HD.MAINTENANCE] of the maintenance menu.

- (1) Press the **FUNCTION** key in the local mode.
- (2) Select [MAINTENANCE] by pressing the **▲** **▼** keys then press the **ENTER** key.
- (3) Select [HD.MAINTENANCE] by pressing the **▲** **▼** keys.
- (4) Press the **ENTER** key.

2

Select [MaintWashLiquid] by pressing the **▲** **▼** keys.

HD.MAINTENANCE  
MaintWashLiquid<ent>

3

Press the **ENTER** key.

MaintWashLiquid  
FILLING UP <ent>

4

Press the **ENTER** key.

- Proceed to the step 6 when a normal cartridge has been set.

MaintWashLiquid  
CARTRIDGE : none

**When "END" is indicated :**

The cleaning solution is not left. Replace it with a new cleaning solution cartridge.

**When an abnormal condition is indicated :**

The cartridge that has been set is not a cleaning solution cartridge.

5

Set a cleaning solution cartridge.

MaintWashLiquid  
FILLING UP START:ent

6

Press the **ENTER** key.

- Filling of the cleaning solution is started.

## Discharging Cleaning solution

Perform the following operations to discharge the cleaning solution within the tube.

- 1** Select [HD.MAINTENANCE] of the maintenance menu.

(1) Press the **FUNCTION** key in the local mode.  
 (2) Select [MAINTENANCE] by pressing the **▲** **▼** keys then press the **ENTER** key.  
 (3) Select [HD.MAINTENANCE] by pressing the **▲** **▼** keys.  
 (4) Press the **ENTER** key.

---

- 2** Select [MaintWashLiquid] by pressing the **▲** **▼** keys.

HD.MAINTENANCE  
 MaintWashLiquid<ent>

---

- 3** Press the **ENTER** key.

MaintWashLiquid  
 FILLING UP <ent>

---

- 4** Select [DISCHARGE] by pressing the **▲** **▼** keys.

MaintWashLiquid  
 DISCHARGE <ent>

---

- 5** Press the **ENTER** key.

  - Proceed to the step 7 when the cartridge has been removed.

MaintWashLiquid  
 There is a CARTRIDGE

---

- 6** Remove the cartridge.

MaintWashLiquid  
 DISCHARGE START :ent

---

- 7** Press the **ENTER** key.

  - Discharging of the cleaning solution is started.

## Washing of Head nozzle

Perform cleaning of the nozzles in the heads to prevent them being clogged with coagulated ink.

Make sure the followings in advance.

Is [NEAR END] or [INK END] displayed ?

- The cleaning solution or ink is absorbed in washing.
- At this time, washing is unable to operate if the ink end or near-end is detected.
- Replace it with a cartridge undetected for the ink end or the like.

**1** Press the **ST.MAINT** key in the local mode.

ST.MAINTENANCE  
CARRIAGE OUT <ent>

**2** Select [NOZZLE WASH] by pressing the **▲** **▼** keys.

ST.MAINTENANCE  
NOZZLE WASH <ent>

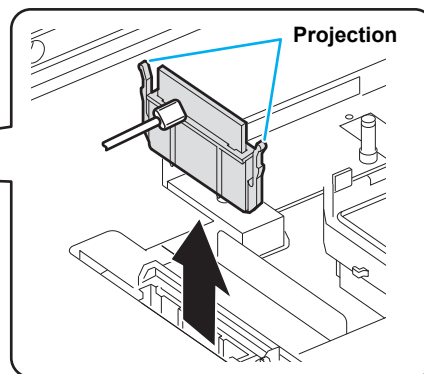
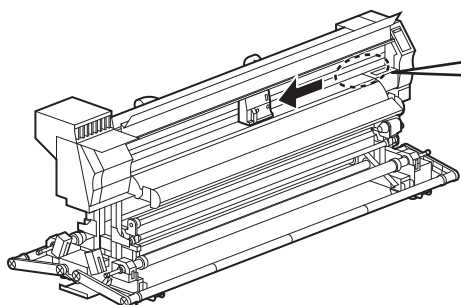
**3** Press the **ENTER** key.

- The carriage moves onto the platen.

WIPER CLEANING  
COMPLETED(NEXT) :ent

**4** Clean the wiper and the bracket.

- (1) Open the front cover then pull out it by holding projections at both ends of the wiper.
- (2) Clean the wiper and bracket with a clean stick dipped in cleaning solution for maintenance. (SPC-0563)
- (3) Insert it in the original position by holding the projections at both ends of the wiper.

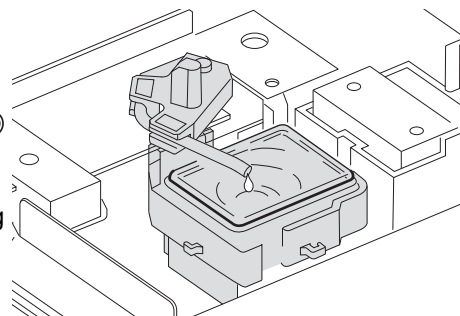


**5** Press the **ENTER** key.

Fill the liquid  
COMPLETED(NEXT) :ent

**6** Press the **FUNCTION** key then fill the cap with the cleaning solution.

- The cleaning solution is applied by drops when the **FUNCTION** is pressed.
- When the **FUNCTION** is pressed again, drops stop.
- Repeat the drops several times to fill the cap with the cleaning solution just before the solution overflows from the cap.





**7** Close the front cover then press the **ENTER** key.

ST.MAINTENANCE  
LEAVING TIME : 1min

**8** Set the duration for leaving the cleaning solution by pressing the **▲** **▼** keys.

ST.MAINTENANCE  
LEAVING TIME : 2min

Set value : 1 to 99 minutes (Unit: minute)

**9** Press the **ENTER** key.

- The cleaning solution filled in the cap is absorbed.
- The screen on the right is displayed only for the duration set in the step 8.
- It returns to the local mode after the duration.

\*Being Initialized\*  
PLEASE WAIT



\*Being Initialized\*  
PLEASE WAIT

**Important!**

- When nozzle missing is not cleared even after this washing is carried out several times, execute “When Nozzle clogged after cleaning” (☞ P.5-21) and “DISCHARGE & WASH” (☞ P.5-22) . Contact a distributor or our sales office (a service call) unless the missing is cleared even after the above.
- Perform the followings unless the cleaning solution has been filled in the machine.
  - (1) Perform the operations up to the step 5.
  - (2) Fill the cap with the cleaning solution by using a syringe.
  - (3) Perform the operations from the step 7.

## Cleaning the ink discharge passage (PUMP TUBE WASH)

Perform washing of the ink discharge passage (the pump tube) periodically to prevent ink from clogging due to the coagulation of ink within the ink discharge passage.



- When the following messages are indicated, check the waste ink tank, and then operate it, referring to P.5-38 "If Waste ink tank confirming message is displayed" according to the situation.

Confirm a waste tank  
Continue< >Exchange

Confirm a waste tank  
Exchange :ent

**1** Press the **ST.MAINT** key in the local mode.

ST.MAINTENANCE  
CARRIAGE OUT <ent>

**2** Select **[PUMP TUBE WASH]** by pressing the **▲** **▼** keys.

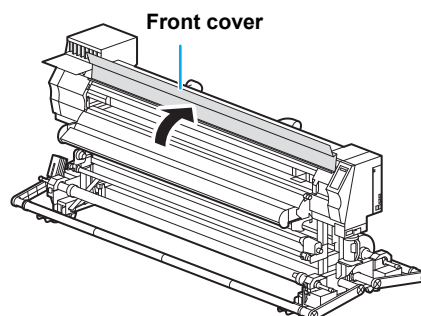
ST.MAINTENANCE  
PUMP TUBE WASH <ent>

**3** Press the **ENTER** key.

- The carriage moves onto the platen.
- Repeat the idle absorbing operation (Absorbing for 5 seconds and interrupting for 10 seconds) until washing works are completed.

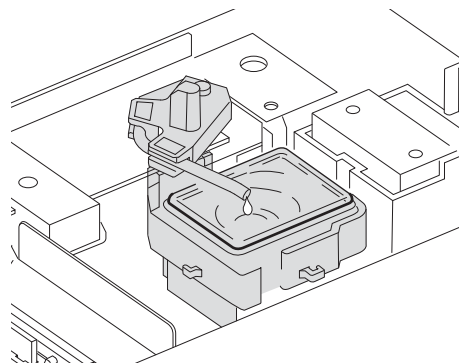
ST.MAINTENANCE  
COMPLETED :ent

**4** Open the front cover.



**5** Press the **FUNCTION** key to fill the cap with the cleaning solution.

- The cleaning solution is applied by drops when the **FUNCTION** key is pressed.
- When the **FUNCTION** key is pressed again, drops stop.
- During the idle absorbing is interrupted, repeat the drops several times to fill the cap with the cleaning solution just before the solution overflows from the cap.



**6**

**Close the front cover and press the **ENTER** key.**

- It returns to the local mode after the idle absorbing is performed for 30 seconds.

\*Being Initialized\*  
PLEASE WAIT



<LOCAL . 1>

**Important!**

- Perform the followings unless the cleaning solution has been filled in the machine.
  - (1) Perform the operations until the step 4.
  - (2) Fill the cap with the cleaning solution by using a syringe.
  - (3) Perform the operations from the step 6.

## When not using for a long term (CUSTODY WASH) (firmware Ver.3.20 or older)

When the operation of the machine is to be suspended for a week or more, use the [CUSTODY WASH] function to clean the nozzles in the heads and the ink discharge passage.

After the cleaning, store the machine properly.

This function is available for the firmware Ver. 3.20 or earlier.

### Check the followings in advance.

#### Is [NEAR END] or [NEAR END] displayed ?

- The cleaning solution or ink is absorbed in washing.  
At this time, washing is unable to operate if the ink end or near-end is detected.
- Replace it with a cartridge undetected for the ink end or the like.



- When the following messages are indicated, check the waste ink tank, and then operate it, referring to P.5-38 "If Waste ink tank confirming message is displayed" according to the situation.

Confirm a waste tank  
Continue< >Exchange

Confirm a waste tank  
Exchange :ent

**1** Press the **ST.MAINT** key in the local mode.

ST.MAINTENANCE  
CARRIAGE OUT <ent>

**2** Select [CUSTODY WASH] by pressing the **▲** **▼** keys.

ST.MAINTENANCE  
CUSTODY WASH <ent>

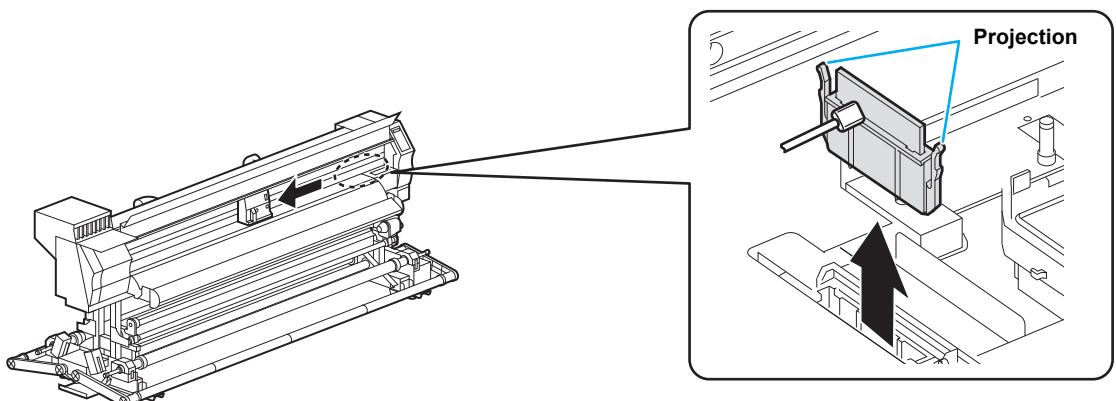
**3** Press the **ENTER** key.

- The carriage moves onto the platen.

WIPER CLEANING  
COMPLETED(NEXT) :ent

**4** Clean the wiper and the bracket.

- (1) Open the front cover then pull out it by holding projections at both ends of the wiper.
- (2) Clean the wiper and bracket with a clean stick dipped in cleaning solution for maintenance (SPC-0563)
- (3) Insert it in the original position by holding the projections at both ends of the wiper.

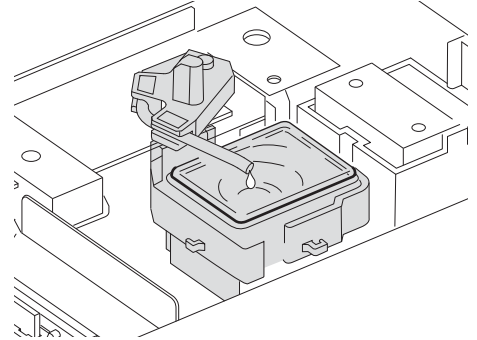


**5** Press the **ENTER** key.

Fill the liquid  
COMPLETED(NEXT) :ent

**6** Press the **FUNCTION** key to fill the cap with the cleaning solution.

- The cleaning solution is applied by drops when the **FUNCTION** is pressed.
- When the **FUNCTION** is pressed again, drops stop.
- Repeat the drops several times to fill the cap with the cleaning solution just before the solution overflows from the cap.



**7** Close the front cover and press the **ENTER** key.

ST.MAINTENANCE  
LEAVING TIME : 1min

**8** Set the duration for leaving the cleaning solution by pressing the **▲** **▼** keys.

Set value : 1 to 99 minutes (Unit: minute)

ST.MAINTENANCE  
LEAVING TIME : 2min

**9** Press the **ENTER** key.

- Perform the nozzle cleaning.
- On completion of the nozzle cleaning, the head moves to above the platen.

\*Being Initialized\*  
PLEASE WAIT

**10** Open the front cover.

**11** Press the **FUNCTION** key to fill the cap with the cleaning solution.

- The cleaning solution is applied to the cap by drops when the **FUNCTION** is pressed.
- When the **FUNCTION** is pressed again, drops stop.
- During the idle absorbing is interrupted, repeat the drops several times to fill the cap with the cleaning solution just before the solution overflows from the cap.

**12** Close the front cover and press the **ENTER** key.

- It returns to the local mode after the initial operation.

\*Being Initialized\*  
PLEASE WAIT



<LOCAL . 1>

## When not using for a long term (firmware Ver. 3.30 or later)

When the operation of the machine is to be suspended for 24 hours or more, use the NOZZLE PROTECT function to protect the nozzle surface.

This function is available for the firmware Ver. 3.30 or later.

### Execute the NOZZLE PROTECT function

<p><b>Make sure the followings in advance.</b></p>	<p><b>Has maintenance washing liquid been filled?</b></p> <ul style="list-style-type: none"> <li>If maintenance washing liquid has not been filled, fill it by referring to P.5-8 "Filling Cleaning solution".</li> </ul> <p><b>Hasn't a warning occurred in the maintenance washing liquid cartridge?</b></p> <ul style="list-style-type: none"> <li>If the warning message of [Wash Liquid Cart. NONE], [Wash Liquid END] or [WRONG WASH CART.] is displayed, set a proper maintenance washing liquid cartridge to solve the warning.</li> </ul>
--	--



- When the following messages are indicated, check the waste ink tank, and then operate it, referring to P.5-38 "If Waste ink tank confirming message is displayed" according to the situation.

Confirm a wastetank  
Continue< >Exchange

Confirm a wastetank  
Exchange :ent

**1**

Press the **ST.MAINT** key in the local mode.

ST.MAINTENANCE  
CARRIAGE OUT <ent>

**2**

Select [NOZZLE PROTECT] by pressing the **▲** **▼** keys.

ST.MAINTENANCE  
NOZZLE PROTECT <ent>

**3**

Press the **ENTER** key.

NOZZLE PROTECT  
Execute :ent

**4**

Press the **ENTER** key.

- The NOZZLE PROTECT function is executed.
- When NOZZLE PROTECT function is finished, the power is automatically turned off and the machine enters a nozzle protection status.
- In the nozzle protection status, it executes NOZZLE PROTECT regularly. Keep the main power switch on. Also, check that it has enough maintenance washing liquid.

**Important!**

- In the nozzle protection status, maintenance in the sleep status does not work.
- If the power is turned on after executing NOZZLE PROTECT function, this machine automatically performs (1) and (2) described below and then displays a message shown in the right. After checking the message, perform test drawing to check the nozzle status.
  - (1) Discharges washing liquid filled in the cap.
  - (2) Executes normal cleaning of the head cleaning automatically.

<LOCAL.1> [#01]  
!Do TEST DRAW

## Executes the NOZZLE PROTECT function automatically

You can set the status to enter the nozzle protection automatically (auto-execute function of NOZZLE PROTECT) in case the device is not used for a certain amount of time.

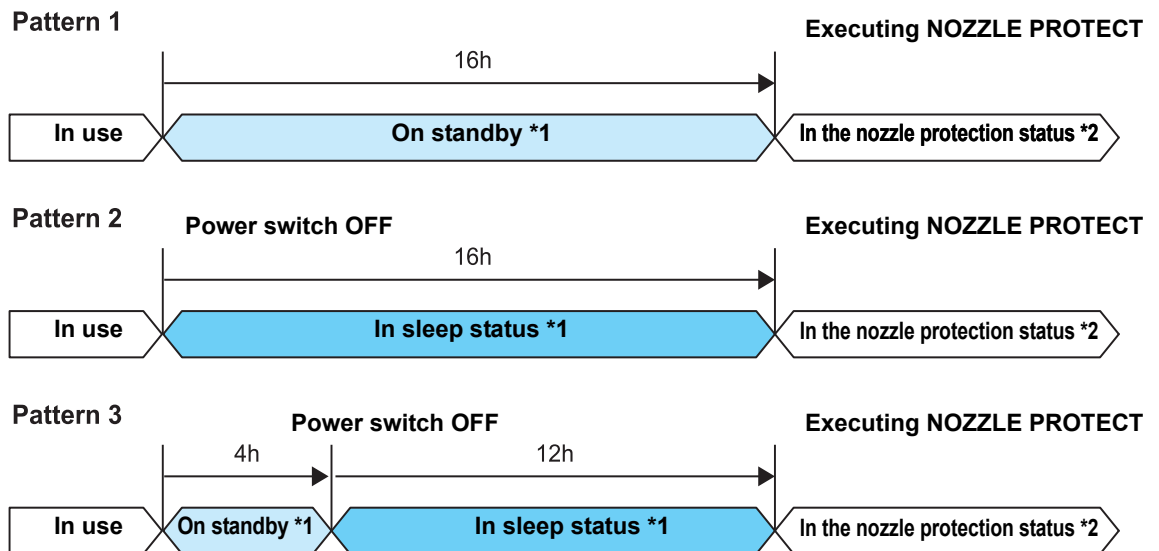
In the nozzle protection status, NOZZLE PROTECT can be automatically executed regularly.

To use the auto-execute function of NOZZLE PROTECT, set the following items.

- **On Time** : Time from the stop of the device to the start of the nozzle protection status.
- **Interval** : Execution interval of NOZZLE PROTECT in the nozzle protection status.



- The machine not being used means that it is in the standby status or the status that the power supply switch under the operation panel is OFF (the sleep status).
- The followings are the examples (three patterns) if you set the time length until the NOZZLE PROTECT function is executed to "16h".



\*1 : If the time length set in P.5-30 "Setting Routine operations" and P.5-27 "Preventing nozzle clogging while power-off" has passed, maintenance operation is executed automatically.

\*2 : In the nozzle protection status, a maintenance function set at P.5-27 "Preventing nozzle clogging while power-off" does not work.  
After entering the nozzle protection status, this machine automatically performs NOZZLE PROTECT regularly.

### 1 Select [AutoN.ZL.PROTECT] of the maintenance menu.

- (1) Press the **FUNCTION** key in the local mode.
- (2) Select [MAINTENANCE] by pressing the **▲** **▼** keys then press the **ENTER** key.
- (3) Select [AutoN.ZL.PROTECT] by pressing the **▲** **▼** keys.

### 2 Press the **ENTER** key.

```
AutoN.ZL.PROTECT
ON Time          <ent>
```

### 3 Select [ON Time] by pressing the **▲** **▼** keys.

```
AutoN.ZL.PROTECT
ON Time          <ent>
```

**4** Press the **ENTER** key.

AutoNZL.PROTECT  
 ON Time = 1**6**h

**5** By pressing the **▲▼** keys, set the time length until the **NOZZLE PROTECT** is executed.

- Set value: OFF, 1 to 24 hours

AutoNZL.PROTECT  
 ON Time = 1**2**h

**6** Press the **ENTER** key.

- “ON Time” setting ends. Following this, set “Interval”.
- “Interval” is set to seven days as default. If changing is not needed, press the **END** key several times to end the setting.

AutoNZL.PROTECT  
 ON Time <ent>

**7** Select [Interval] by pressing the **▲▼** keys.

AutoNZL.PROTECT  
 Interval <ent>

**8** Press the **ENTER** key.

AutoNZL.PROTECTintvl  
 ON Time = **7**d

**9** Press the **▲▼** keys to set an execution interval (number of days) of **NOZZLE PROTECT**.

- Set value : OFF, 1 to 14 days

AutoNZL.PROTECTintvl  
 ON Time = 1**0**d

**10** Press the **ENTER** key.

- Press the **END** key several times to end.

MAINTENANCE  
 AutoNZL.CUSTODY<ent>



• If maintenance washing liquid has not been filled in the machine, the screen on the right is displayed in the Step 4. Fill maintenance washing liquid and execute procedures from the Step 1 again.

\*\* Washing liquid \*\*  
 \*\* un-filling up. \*\*



# Cleaning heads and surroundings parts

Take great care, especially during cleaning, not to damage the heads, which employ very precise mechanisms. Using a clean stick, rub off the gelatinous ink that may be adhering to the lower part of the slider and surrounding parts of the heads. In doing so, never rub the nozzle part of the heads.

<b>Tools required for cleaning</b>	• Clean stick (SPC-0527)	• Gloves	• Goggles
------------------------------------	--------------------------	----------	-----------



- Be sure to wear the attached goggles and gloves for works when cleaning is performed. If not, ink may be caught in your eyes during the works.
- An organic solvent is used in ink. Wash your eyes and skins with plenty water immediately when you get ink on skins or in eyes.

## 1

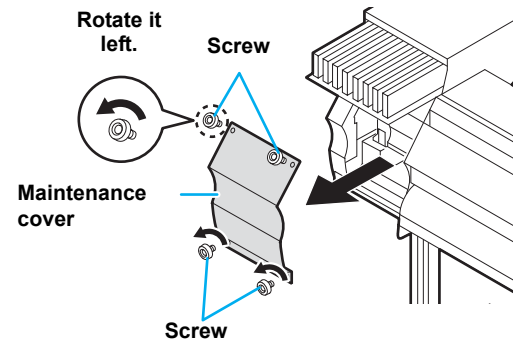
### Select [CR.MAINTENANCE] of the maintenance menu.

- (1) Press the **FUNCTION** key in the local mode.
- (2) Select [MAINTENANCE] by pressing the **▲** **▼** keys then press the **ENTER** key.
- (3) Select [CR.MAINTENANCE] by pressing the **▲** **▼** keys then press the **ENTER** key.
- (4) Press the **ENTER** key.
  - The carriage moves to the left end of the machine body.

## 2

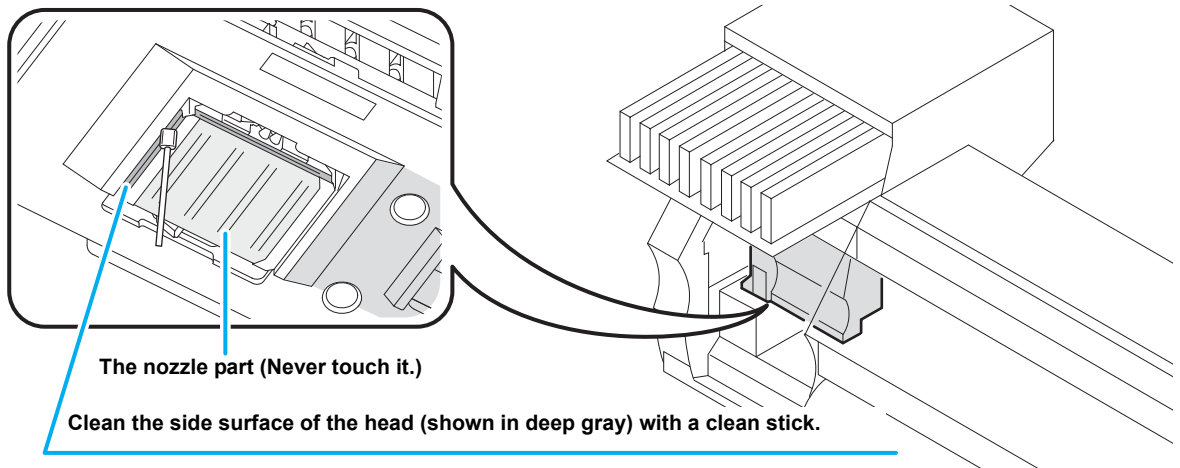
### Open the maintenance cover.

- (1) Turn four screws that fix the maintenance cover to the left, and remove them.
  - (2) Remove the maintenance cover.
- If the maintenance cover is hard to remove, use the supplied screwdriver.



## 3

### Wipe ink sticking to the side of the head off with a clean stick.



## 4

### Press the **ENTER** key after the cleaning.

Close a cover

**5**

**Close the maintenance cover then press the  key.**

- It returns to the local mode after the initial operation.

( COVER OPEN )  
PRESS <ENT> KEY



\*Being Initialized\*  
PLEASE WAIT

**Important!**

- Clean the wiper and surroundings about twice in a week (it varies, depending on frequency of use of machine.)

# When Nozzle clogged after cleaning

When the nozzle clogging is not improved even after the head cleaning (☞ P.2-33) or the head nozzle washing (☞ P.5-10), execute two functions as follows.

<b>FILL UP INK</b>	• Supplies ink to correct nozzle clogging.
<b>DISCHARGE&amp;WASH</b>	• Washes the heads, dampers and ink tubes cleaning solution cartridge (option). (☞ P.5-22)

## Filling up ink

1

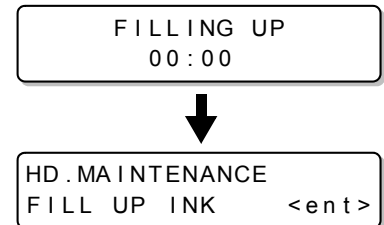
Select [HD.MAINTENANCE] of the maintenance menu.

- (1) Press the **FUNCTION** key in the local mode.
- (2) Select [MAINTENANCE] by pressing the **▲** **▼** keys then press the **ENTER** key.
- (3) Select [HD.MAINTENANCE] by pressing the **▲** **▼** keys.
- (4) Press the **ENTER** key.

2

Press the **ENTER** key.

- Ink filling is automatically started.
- It returns to the display on the right when the ink filling is completed.



3

Press the **END** key several times to end.

## When 600cc cartridge is used

- Even when [Ink Level] is displayed, enough ink for head cleaning may remain in the ink pack.

When [Ink Level] appears, see "When [Ink Level] is displayed" in the provided manual "When using 600 cc cartridge" and enter the current weight of the 600cc cartridge.

- When the remaining ink is not enough for head cleaning

When the remaining ink is not enough for head cleaning, an error shown on the right appears on the step 3. Replace with a new ink pack, and then perform head cleaning again.

\*\*\* 600cc Error \*\*\*  
shortage of ink.

IP

Routine Maintenance

# DISCHARGE & WASH

Discharge ink from the heads, dampers and ink tubes, and then wash them.

**Important!**

- To use this function, the dedicated cleaning solution (☞ P.5-2"Notes on cleaning solution") is required. In addition, before performing the work, check whether ink to be filled again remains or not.
- When the following messages are indicated, check the waste ink tank, and then operate it, referring to P.5-38 "If Waste ink tank confirming message is displayed" according to the situation.

Confirm a waste tank  
Continue< >Exchange

Confirm a waste tank  
Exchange :ent

## 1 Select [HD.MAINTENANCE] of the maintenance menu.

- (1) Press the **FUNCTION** key in the local mode.
- (2) Select [MAINTENANCE] by pressing the **▲** **▼** keys then press the **ENTER** key.
- (3) Select [HD.MAINTENANCE] by pressing the **▲** **▼** keys.
- (4) Press the **ENTER** key.

## 2 Select [DISCHARGE&WASH] by pressing the **▲** **▼** keys.

HD.MAINTENANCE  
DISCHARGE&WASH <ent>

## 3 Press the **ENTER** key.

Remove: Ink Cartridges  
MMCC YYKK

## 4 Remove the ink cartridge.

- The ink left in the head or tube is discharged to the waste ink tank.
- The display on the right is displayed after discharging.

\* DISCHARGE \*  
00:00



Set: Washing Cartridge  
1234 5678

## 5 Set the cleaning solution cartridge to the ink station.

- Absorbing of the cleaning solution is started.
- The display on the right is displayed after absorbing.

\* ABSORPTION \*  
00:00



Remove: Cartridges  
1234 5678

## 6 Remove the cleaning solution cartridge.

- The ink left in the head or tube is discharged to the waste ink tank.
- The right display on the right is displayed after discharging.

\* DISCHARGE \*  
00:00



Set: Washing Cartridge  
1234 5678

7

**Set the cleaning solution cartridge to the ink station.**

- Absorbing of the cleaning solution is started.
- The display on the right is displayed after absorbing.

\* ABSORPTION \*  
00:00



Remove: Cartridges  
1234 5678

8

**Remove the cleaning solution cartridge.**

- The ink left in the head or tube is discharged to the waste ink tank.
- The right display on the right is displayed after discharging.
- Check the condition of waste ink tank, and then select whether the washing is terminated or restarted.
- When the washing is restarted, return to the step 5 by pressing the key.

\* DISCHARGE \*  
00:00



Maint. Wash Liquid  
END< >DISCHARGE

9

Press the key.

10

Press the key several times to end.

## Initial ink fill up

Perform the initial fill of ink by the following operations after [DISCHARGE & WASH].

**Important!**

- If an ink cartridge extended the expiry month (☞ P.3-52) is set, initial ink fill cannot be performed. Replace the ink cartridge with another one (neither extended nor expired) and perform the initial fill.

**1**

### Turn the power of the machine on.

- When the power is turned on, the firmware version is displayed following [BOOT].

BOOT

JV33-260BS V\* . \*\*

Please Wait

**2**

### Select the ink type to be filled by pressing the keys.

- To check the state of the cartridge, press the **REMOTE** key. (☞ P.6-5)

INK TYPE  
BS\* SoI

**3**

### Select the ink set (a filling color) to be filled by pressing the keys.

- You cannot change the current ink set to other ink set yourselves.
- If you want to change the ink set, contact sales office of MIMAKI.

BS\* INK SET  
4-Color (MMCCYYKK)

**4**

### Press the **ENTER** key.

Set:BS\*-4color Ink  
-----

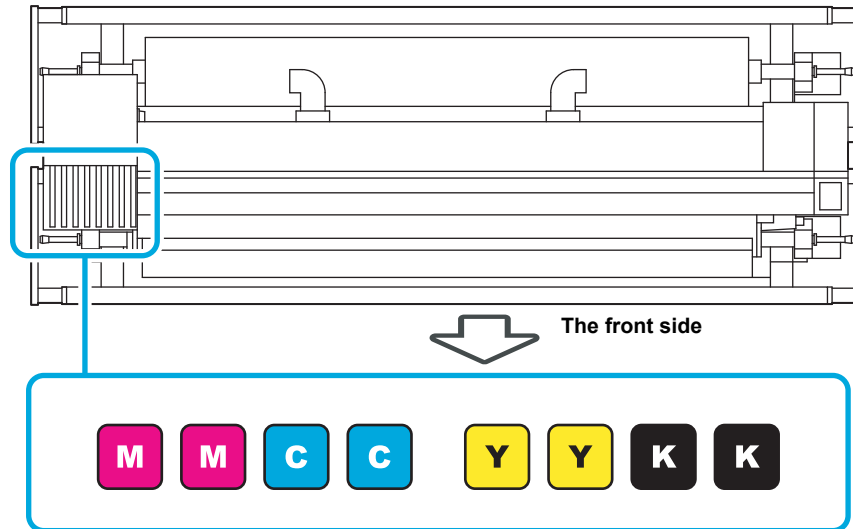
# 5

## Set an ink cartridge to the ink station.

- When the ink cartridge is set, filling is automatically started.
- Upon the ink station, the inserting location is allocated for each ink color. Set the ink cartridge according to the cartridge label under the ink station.

Set:BS\*-4color Ink  
--C- Y-KK

FILLING UP NOW.  
00:00



# 6

## It returns to the local mode when the ink filling is completed.

<LOCAL . 1> [ #01 ]  
width: \*\*\*\*mm



- If blurring or missing is found in printing after initial fill of ink, "Head cleaning" (P.2-33) or "Filling up ink" (P.5-21).

## If ink is not filled in step 5

If [INK NEAR END], [INK END] or other ink errors occur, it does not start ink filling.

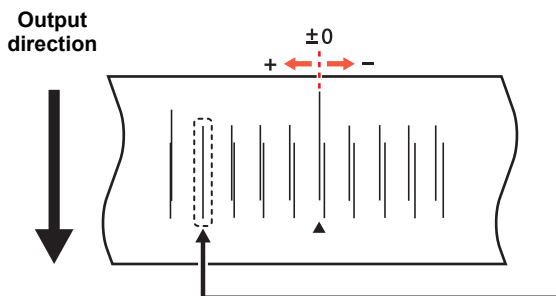
### If ink filling is not started in "Initial ink fill up" step 5

- (1) Press the **END** key to go back to the display of step 2.
- (2) Press the **REMOTE** key to check the state of the ink cartridge.
- (3) Solve an ink error or others (P.6-5), operate from step 2 again.

# If dots misalign

When the thickness of the media, the height of the head, or the type of the ink used is changed, follow the steps below and adjust the ink drop position for Bi-directional (Bi) printing to print properly.

## Example of Pattern printing



The dots at the fourth position counted from the zero position in the positive direction form a straight line. In this case, the dot position correction value is 4.0.

### 1 Set a media, and then set the printing origin. (👉 P.2-6)

- For printing the pattern, a larger media than 500mm width x 400mm feeding is required.

### 2 Select [DROP POSITION] of the maintenance menu.

- (1) Press the **FUNCTION** key in the local mode.
- (2) Select [MAINTENANCE] by pressing the **▲** **▼** keys then press the **ENTER** key.
- (3) Select [DROP POSITION] by pressing the **▲** **▼** keys.
- (4) Press the **ENTER** key.

### 3 Press the **ENTER** key to start the pattern printing.

- Plural pattern types are printed. (in order of printed, called as Pattern 1, 2, 3...)

PRINTING  
PLEASE WAIT

### 4 Correct the dot position of the pattern 1 by pressing the **▲** **▼** keys.

- **Correction value** : -40 to 40
- Check the test pattern. A correction value is at the position where an outward way and a return way are on one line.
- If the correction value is not between -40 and 40, adjust the height of head then redo the operations from the step 2.

DROP POSITION  
PATTERN1 = 0.0

### 5 Press the **ENTER** key.

### 6 As the same as the step 4, correct the dot position of the from pattern 2 then press the **ENTER** key.

### 7 Press the **END** key several times to end.



# Preventing nozzle clogging while power-off

Even while the power switch is off, the machine starts periodically and executes various functions to prevent nozzle clogging. [SLEEP SETUP] includes the following functions.

Function name	Descriptions
REFRESH	Set the interval at which refreshing operation is to be performed periodically.
PUMP TUBE WASH	Set the interval at which cleaning of the pump tubes is to be performed periodically.
CLEANING	Set the cleaning type and the interval at which cleaning operation is to be performed periodically.

**Important!**

- During the right message is displayed, the operation set in the sleep setting is not carried out. Perform the operations of P.5-39 if required.
- When the power switch on the front of the machine is turned off, check the waste ink tank.

```
<LOCAL . 1>          [#01]  
Check waste ink<MNT>
```

## Setting refreshing interval in Sleep mode

Set the interval at which the nozzles will eject a little volume of ink to prevent nozzle clogging.

**1**

Select [SLEEP SETUP] of the maintenance menu.

- (1) Press the **FUNCTION** key in the local mode.
- (2) Select [MAINTENANCE] by pressing the **▲** **▼** keys then press the **ENTER** key.
- (3) Select [SLEEP SETUP] by pressing the **▲** **▼** keys.

**2**

Press the **ENTER** key.

```
SLEEP SETUP  
REFRESH          <ent>
```

**3**

Press the **ENTER** key.

```
SLEEP SETUP  
REFRESHinterval= 1h
```

**4**

Set the refreshing interval by pressing the **▲** **▼** keys.

- Set value : OFF, 1 - 168 hours

```
SLEEP SETUP  
REFRESHinterval= 10h
```

**5**

Press the **ENTER** key.

```
SLEEP SETUP  
REFRESH          <ent>
```

**6**

Press the **END** key several times to end.

**19**

Routine Maintenance

## Setting tube washing interval in Sleep mode

Set the interval at which cleaning of the caps and pump tubes is to be performed using the cleaning solution during sleep mode.

1

Select [SLEEP SETUP] of the maintenance menu.

- (1) Press the **FUNCTION** key in the local mode.
- (2) Select [MAINTENANCE] by pressing the **▲** **▼** keys then press the **ENTER** key.
- (3) Select [SLEEP SETUP] by pressing the **▲** **▼** keys.
- (4) Press the **ENTER** key.

2

Select [PUMP TUBE WASH] by pressing the **▲** **▼** keys.

SLEEP SETUP  
PUMP TUBE WASH <ent>

3

Press the **ENTER** key.

SLEEP SETUP  
WASH INTERVAL = 1h

4

Set the tube washing interval by pressing the **▲** **▼** keys.

SLEEP SETUP  
WASH INTERVAL = 4h

- Set value : OFF, 1 - 168 hours

5

Press the **ENTER** key.

SLEEP SETUP  
PUMP TUBE WASH <ent>

6

Press the **END** key several times to end.



- When the cleaning solution has not been filled in the machine, the right display is displayed at the step 5. Fill the cleaning solution (☞ P.5-8) then redo the operations from the step 1.

\*\* Washing Liquid \*\*

## Setting cleaning interval in Sleep mode

This function is to be executed instead of TUBE WASH after the cleaning solution has been used up. Set the cleaning type and the interval at which cleaning operation is to be performed during sleep mode.

# 1

Select [SLEEP SETUP] of the maintenance menu.

- (1) Press the **FUNCTION** key in the local mode.
- (2) Select [MAINTENANCE] by pressing the **▲** **▼** keys then press the **ENTER** key.
- (3) Select [SLEEP SETUP] by pressing the **▲** **▼** keys.
- (4) Press the **ENTER** key.

# 2

Select [CLEANING] by pressing the **▲** **▼** keys.

```
SLEEP SETUP
CLEANING          <ent>
```

# 3

Press the **ENTER** key.

```
SLEEP SETUP
CLEAN . INTERVAL = 1h
```

# 4

Set the cleaning interval by pressing the **▲** **▼** keys.

- Set value : OFF, 1 - 168 hours

```
SLEEP SETUP
CLEAN . INTERVAL = 4h
```

# 5

Press the **FUNCTION** key.

- The selection display of the cleaning type is displayed.

```
SLEEP SETUP
CLEAN . TYPE      : NORMAL
```

# 6

Select the cleaning type by pressing the **▲** **▼** keys.

- Set value : NORMAL, SOFT, HARD

```
SLEEP SETUP
CLEAN . TYPE      : SOFT
```

# 7

Press the **ENTER** key.

```
SLEEP SETUP
CLEAN . INTERVAL = 4h
```

# 8

Press the **END** key several times to end.

# Setting Routine operations

Troubles such as ink clogging or the like are preventable by performing each periodical operation in the condition of the power ON. (Initial setting) The [ROUTINE SETUP] function is available for the following items :

Function name	Descriptions
ROUTINE WIPING	While printing, the nozzle surface is wiped with a certain interval to remove dew drops. It is possible to set [SCAN COUNT] and [TEMP difference].
REFRESH	Set the interval at which refreshing operation is to be performed periodically in Standby mode.
PUMP TUBE WASH	Set the interval at which cleaning of the pump tubes is to be performed periodically in Standby mode.
CLEANING	Set the cleaning type and the interval at which cleaning operation is to be performed periodically in Standby mode.

**Important!**

- During the right message is displayed, the operation set in the periodic setting is not carried out except [ROUTINE WIPING]. Perform the operations of P.5-39 if required.
- When the power switch on the front of the machine is turned off, check the waste ink tank.

```
<LOCAL . 1>          [#01]
Check waste ink<MNT>
```

## Setting Routine wiping operations in Standby mode

Ink dew condensation on the nozzle surface is preventable by performing the wiping operation automatically when the number of scans reaches the set value in printing.

In the following cases, ink splashing, ink dropping or nozzle missing may occur on printing.

It is recommended to maintain the comfortable printing condition at all times by setting the periodic wiping.

- When the print heater has been set at high temperature.
- When the printing ink amount has been set plenty (High density, Double printing, etc.)

The cause of these phenomena is such that the ink of the print is heated by the print heater immediately after printing and evaporated solvent may condense on the nozzle face.

The greater the difference between the setting temperature of the print heater and the ambient temperature is, the more easily ink can condense.

### 1 Select [ROUTINE SETUP] of the maintenance menu.

- (1) Press the **FUNCTION** key in the local mode.
- (2) Select [MAINTENANCE] by pressing the **▲** **▼** keys then press the **ENTER** key.
- (3) Select [ROUTINE SETUP] by pressing the **▲** **▼** keys.

### 2 Press the **ENTER** key.

```
ROUTINE SETUP
ROUTINE WIPING <ent>
```

### 3 Press the **ENTER** key.

```
ROUTINE WIPING
SCAN COUNT      <ent>
```

### 4 Press the **ENTER** key.

```
ROUTINE WIPING
SCAN COUNT      = 50
```

5

Set the number of scans by pressing the   keys.

- Set value : 0 to 9990 times
- When the heater is set at high temperature (around 50 °C) or the ink amount is plenty due to Double printing or the like, make 30 - 50 times is a standard.

```
ROUTINE WIPING
SCAN COUNT      = 40
```

6

Press the  key.

```
ROUTINE WIPING
SCAN COUNT      <ent>
```

7

Press the   keys.

- The set display of TEMP difference is displayed.



```
ROUTINE WIPING
TEMP.difference<ent>
```

8

Press the  key.

```
ROUTINE WIPING
TEMP.Difference=20°C
```

9

Set the temperature difference by pressing the   keys.

- The ROUTINE WIPING function is activated when the setting temperature of the print heater is higher than the ambient temperature and the difference is larger than the value of "TEMP.difference".
- When setting "0" to the temperature difference, regardless of the set temperature of the print heater, fixed period wiping operation is performed when it reaches the specified number of scan.

```
ROUTINE WIPING
TEMP.Difference=20°C
```

10

Press the  key.

```
ROUTINE WIPING
TEMP.difference<ent>
```

11

Press the  key several times to end.

## Setting Refreshing interval in Standby mode

Set the interval at which refreshing operation is to be performed periodically.

1

Select [ROUTINE SETUP] of the maintenance menu.

- (1) Press the **FUNCTION** key in the local mode.
- (2) Select [MAINTENANCE] by pressing the **▲** **▼** keys then press the **ENTER** key.
- (3) Select [ROUTINE SETUP] by pressing the **▲** **▼** keys.
- (4) Press the **ENTER** key.

2

Select [REFRESH] by pressing the **▲** **▼** keys.

```
ROUTINE SETUP
REFRESH      <ent>
```

3

Press the **ENTER** key.

```
ROUTINE SETUP
REFRESHinterval= 1h
```

4

Set the refreshing interval by pressing the **▲** **▼** keys.

```
ROUTINE SETUP
REFRESHinterval= 10h
```

• Set value : OFF, 1 - 168 hours

5

Press the **ENTER** key.

```
ROUTINE SETUP
REFRESH      <ent>
```

6

Press the **END** key several times to end.

## Setting Pump tube washing interval in Standby mode

Perform the pump tube washing periodically to prevent ink from clogging due to the coagulation of ink, which occurs within the tube.



- This function is operable only under the condition that the machine is left in the following displays.

<LOCAL . 1 > [ #01 ]  
LOCAL mode

\*REMOTE . 1 \* [ #01 ]  
0 . 00m  
REMOTE mode

### 1

Select [ROUTINE SETUP] of the maintenance menu.

- (1) Press the **FUNCTION** key in the local mode.
- (2) Select [MAINTENANCE] by pressing the **▲** **▼** keys then press the **ENTER** key.
- (3) Select [ROUTINE SETUP] by pressing the **▲** **▼** keys.
- (4) Press the **ENTER** key.

### 2

Select [PUMP TUBE WASH] by pressing the **▲** **▼** keys.

ROUTINE SETUP  
PUMP TUBE WASH <ent>

### 3

Press the **ENTER** key.

ROUTINE SETUP  
WASH INTERVAL = 1h

### 4

Set the tube washing interval by pressing the **▲** **▼** keys.

ROUTINE SETUP  
WASH INTERVAL = 4h

- Set value : OFF, 1 - 168 hours

### 5

Press the **ENTER** key.

ROUTINE SETUP  
PUMP TUBE WASH <ent>

### 6

Press the **END** key several times to end.



- When the cleaning solution has not been filled in the machine, the right display is displayed at the step 5. Fill the cleaning solution (☞ P.5-8) then redo the operations from the step 1.

\*\* Washing Liquid \*\*

## Setting Cleaning interval in Standby mode

This function is to be executed instead of TUBE WASH after the cleaning solution has been used up. Set the cleaning type and the intervals at which cleaning operation is to be performed.

**Important!**

- This function does not operate when the error message relating to ink, such as [NEAR END] or [INK END], is displayed.
- While this function is being executed, the display indicates the progress of head cleaning and no key operation is available. (☞ P.2-33 “Head cleaning”)
- This function operates only when the machine is left with the display as shown below:

<LOCAL . 1> [ #01 ]  
LOCAL mode

\*REMOTE . 1\* [ #01 ]  
0 . 00m  
REMOTE mode

### 1 Select [ROUTINE SETUP] of the maintenance menu.

- (1) Press the **FUNCTION** key in the local mode.
- (2) Select [MAINTENANCE] by pressing the **▲** **▼** keys then press the **ENTER** key.
- (3) Select [ROUTINE SETUP] by pressing the **▲** **▼** keys.
- (4) Press the **ENTER** key.

### 2 Select [CLEANING] by pressing the **▲** **▼** keys.

ROUTINE SETUP  
CLEANING <ent>

### 3 Press the **ENTER** key.

ROUTINE SETUP  
CLEAN . INTERVAL = 1h

### 4 Set the cleaning interval by pressing the **▲** **▼** keys.

- Set value : OFF, 1 - 168 hours

ROUTINE SETUP  
CLEAN . INTERVAL = 4h

### 5 Press the **FUNCTION** key.

- The selection display of the cleaning type is displayed.

ROUTINE SETUP  
CLEAN . TYPE : NORMAL

### 6 Select the cleaning type by pressing the **▲** **▼** keys.

- Set value : NORMAL, SOFT, HARD

ROUTINE SETUP  
CLEAN . TYPE : SOFT

### 7 Press the **ENTER** key.

ROUTINE SETUP  
CLEAN . INTERVAL = 4h

### 8 Press the **END** key several times to end.



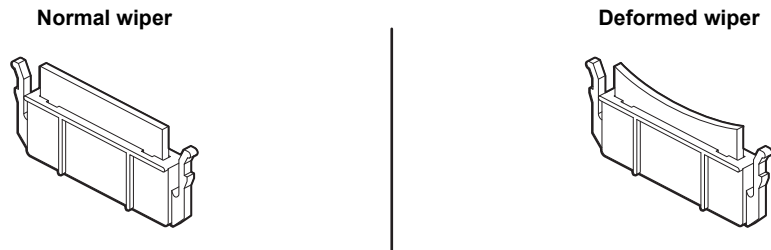
# Other maintenance functions

## Changing the warning time of wiper replacement

The wiper is consumable. The heads are easily soiled in a dusty environment.

The heads cannot be cleaned adequately with a curled or worn wiper.

Setting the wiper level so that a warning for the wiper replacement period is indicated earlier than the standard depending on the operating environment.



10/10	Displays the wiper replacement warning when wiping has been performed the standard number of times. (Initial value)
9/10	Displays the wiper replacement warning when wiping has been performed nine tenths of the standard number of times.
8/10	Displays the wiper replacement warning when wiping has been performed eight tenths of the standard number of times.
⋮	
1/10	Displays the wiper replacement warning when wiping has been performed one tenth of the standard number of times.

### 1 Select [WIPER LEVEL] of the maintenance menu.

- (1) Press the **FUNCTION** key in the local mode.
- (2) Select [MAINTENANCE] by pressing the **▲** **▼** keys then press the **ENTER** key.
- (3) Select [WIPER LEVEL] by pressing the **▲** **▼** keys.

### 2 Press the **ENTER** key.

```
WIPER LEVEL
LEVEL          : 10 / 10
```

### 3 Set the wiper level by pressing the **▲** **▼** keys.

• Set value : 1/10 - 10/10

```
WIPER LEVEL
LEVEL          : 9 / 10
```

### 4 Press the **ENTER** key.

```
MAINTENANCE
WIPER LEVEL    <ent>
```

### 5 Press the **END** key several times to end.

## Setting the media remaining display

Set the media remaining amount display.

<b>When the media remaining amount display is turned to "ON"</b>	The media remaining amount is displayed in the remote mode. (The print length is displayed when a leaf media is used.)
<b>When the media remaining amount display is turned to "OFF"</b>	The media remaining amount is not displayed in the remote mode.



- The media feed during printing or with any of the JOG keys is reflected on media remaining amount.
- Input the media length (initial value of remaining amount) when the roll media is detected.
- The setting performed in this section is not effective unless the media detection is performed after the setting.

**1**

Select [MEDIA RESIDUAL] of the maintenance menu.

- (1) Press the **FUNCTION** key in the local mode.
- (2) Select [MAINTENANCE] by pressing the **▲** **▼** keys then press the **ENTER** key.
- (3) Select [MEDIA RESIDUAL] by pressing the **▲** **▼** keys.
- (4) Press the **ENTER** key.

**2**

Select ON/OFF by pressing the **▲** **▼** keys.

MEDIA RESIDUAL  
SETUP : OFF

**3**

Press the **ENTER** key.

MAINTENANCE  
MEDIA RESIDUAL <ent>

**4**

Press the **END** key several times to end.

## Print the media remaining amount

You can print the current media remaining amount.



- Set [MEDIA RESIDUAL] to "ON". (☞ P.5-36)
- When changing the media, it is recommended to print the remaining amount to the currently used media. If you print the media remaining amount in advance, for using the changed media, you can enter the correct value in the screen for entering media remaining amount after detecting the media (☞ P.2-24).

### 1

In the local mode, press the keys.

- It enters into the origin setting mode.

```
ORIGIN SETUP
0.0      - - - -
```

### 2

Set a light point of the LED pointer to the changing position by pressing the keys.

- Select the carriage and media, moving the point with the keys.
- When not changing the origin, proceed to the Step 3 without pressing , , and key.
- When pressing key here, the origin will be changed and it will return to the local mode.

```
ORIGIN  SETUP
0.0      0.0
Origin   Origin
(Length) (Width)
```

### 3

Press the key.

- When pressing , , and key, the screen will return to the Step 2 screen.
- When pressing key, it will return to the local mode.

```
MEDIA RESIDUAL DRAW
<ENT>
```

### 4

Press the key.

- Start printing of the media remaining amount.
- When the printing completes, it will return to the local mode.

**Important!**

- When printing after changing the origin, the origin set here will be valid when printing data subsequently.

## If Waste ink tank confirming message is displayed

Waste ink which was used for cleaning the heads and other parts, gathers in the waste ink tank. Upon the machine, the ink discharging amount is counted by accumulated counting then a message for suggesting the check is displayed when it reaches a certain amount.

### If message is displayed when Ink filling or the like is executed

A message for suggesting to check the waste ink tank is displayed depending on the condition of the waste ink tank when the function such as ink filling, head cleaning, pump tube washing or the like is carried out.

#### ● When the waste ink tank is "Near-full"

The right message is displayed.

```
* Check waste ink *  
Continue< >Exchange
```

#### 1 Check the condition of the waste ink tank.

**When the waste ink tank is almost full**

- (1) Replace the waste ink tank. (☞ P.5-40)
- (2) Select "Exchange" by pressing the **ENTER** key. (The ink discharging amount is reset.)

**When the waste ink tank has room**

- (1) Select "Continue" by pressing the **◀** key. (The ink discharging amount is not reset.)
- In this case, the message of P.5-39 "Check message in Local mode" is displayed when it returns to the local mode.

#### ● When the waste ink tank is full

The right message is displayed.

```
* Check waste ink *  
Exchange :ent
```

#### 1 Replace the waste ink tank (☞ P.5-40) then press the **ENTER** key.

- The ink discharging amount is reset.

**Important!**

- Be sure to replace the waste ink tank (☞ P.5-40) if "Exchange" is selected by the operations above when the waste ink tank is "Near-full" or "Full". Waste ink may overflow the tank before the check message is displayed if the tank is not replaced and continuously used.
- Waste ink, which is discharged when [NOZZLE WASH], [PUMP TUBE WASH] and [CUSTODY WASH] of [ST.MAINTENANCE] are performed, is not counted upon the machine. Be sure to check the condition of waste ink tank before or after the operations.

## Check message in Local mode

The right message is displayed.

```
<LOCAL.1>      [#01]
Check waste ink<MNT>
```

- 1 Check the waste ink tank, and then replace the waste ink tank (  P.5-40) if required.

## When waste ink tank check message is not needed

The waste ink tank check message can be set not to be displayed.

- 1 Select [Waste Ink Warning] of the machine setup menu.

- (1) Press the **FUNCTION** key in the local mode.
- (2) Select [MACHINE SETUP] by pressing the **▲** **▼** keys then press the **ENTER** key.
- (3) Select [Waste Ink Warning] by pressing the **▲** **▼** keys.
- (4) Press the **ENTER** key.

- 2 Select "OFF " by pressing the **▲** **▼** keys.

```
WasteInkWarning
SETUP           : OFF
```

- 3 Press the **ENTER** key.

```
MACHINE SETUP
WasteInkWarning<ent>
```

- 4 Press the **END** key several times to end.

**Important!**

- The check message is not displayed when the waste ink tank warning is set to "OFF". Be sure to check the ink remaining amount within the waste ink tank visually.

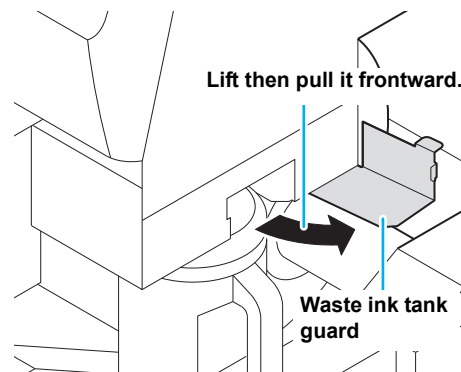
## Replacing waste ink tank

When the right message is displayed, check the waste ink tank immediately, and then replace it according to the condition.

<LOCAL . 1> [ # 0 1 ]  
Check waste ink <MNT>

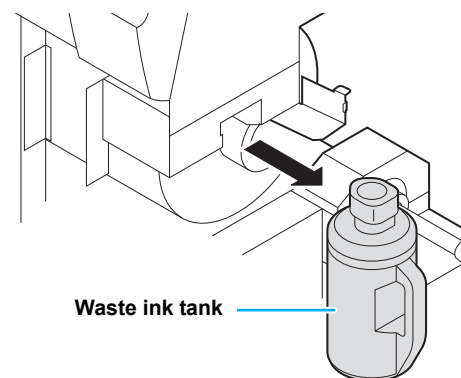
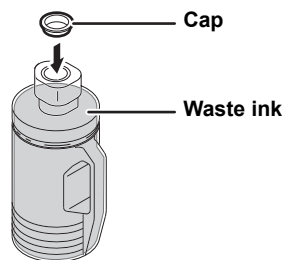
### 1 Remove the waste ink tank guard.

- (1) Lift the waste ink tank guard then release a lock.
- (2) Open the waste ink tank guard frontward.



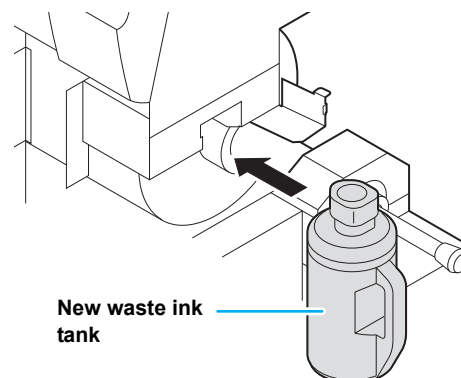
### 2 Pull it frontward to remove by holding the waste ink tank handle.

- Put a cap on the waste ink tank removed.



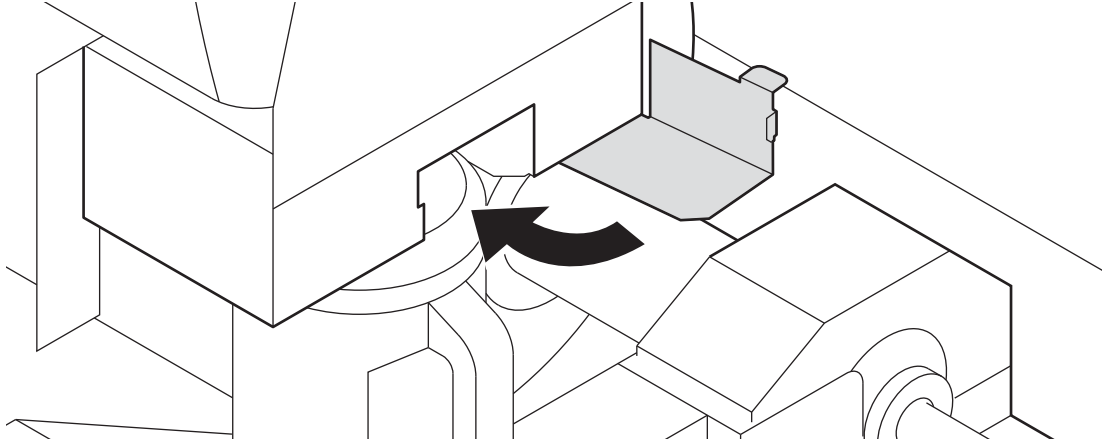
### 3 Replace the waste ink tank.

- (1) Prepare a new waste ink tank (SPC-0117).
- (2) Insert the waste ink tank by holding a handle of the tank.



**4 Close the waste ink tank guard.**

- Hook the waste ink tank guard in a hole of the machine then lock it.

**5 Select [Ink Tank Exchange] of the maintenance menu.**

- (1) Press the **FUNCTION** key in the local mode.
- (2) Select [MAINTENANCE] by pressing the **▲** **▼** keys then press the **ENTER** key.
- (3) Select [Ink Tank Exchange] by pressing the **▲** **▼** keys.

**6 Press the **ENTER** key.**

- The ink discharging amount that is controlled by the machine is reset and the message is cancelled.

```
InkTankExchange
EXCHANGE      :ent
```

**7 Press the **END** key several times to end.**

# Replacing the cutter blade

The cutter blade is consumable. When the cutter blade gets dull, replace it with a new one (SPA-0107).



- The blade is sharp. Be careful not to hurt yourself or anyone else.
- Keep the cutter blades away from the reach of children. Be sure to dispose of the worn-out cutter blades according to the applicable national and local laws and regulations.

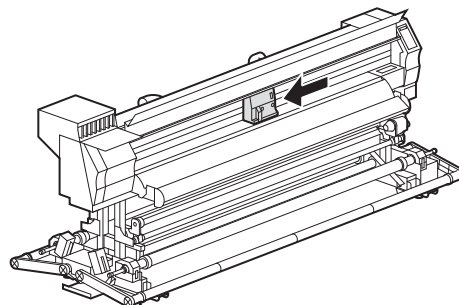


- When replacing the cutter blade, it is recommended to place a sheet of paper under the cutter blade. This will help pick up the cutter blade if it drops.

**1**

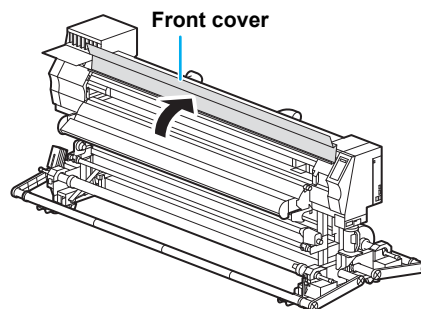
Press the **ST.MAINT** key then press the **ENTER** key.

- The carriage moves onto the platen.



**2**

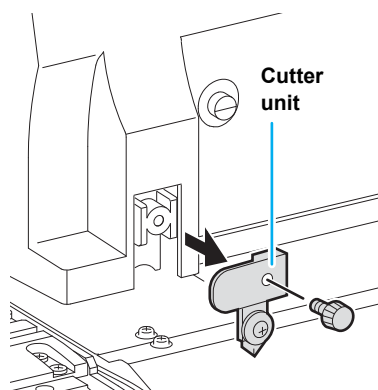
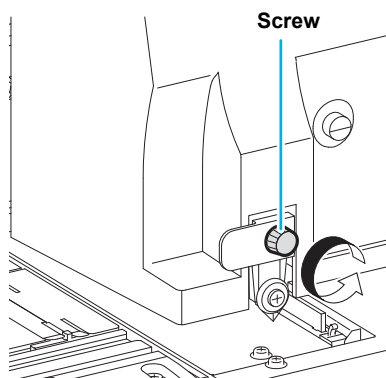
Open the front cover.



**3**

Replace the cutter unit by the carriage.

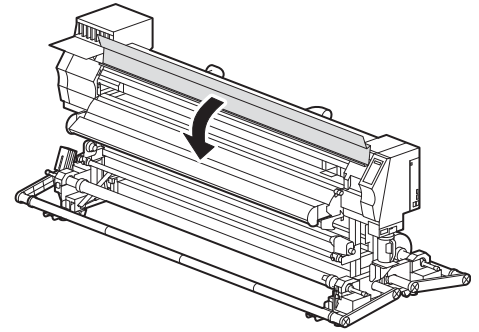
- (1) Loosen a screw of the cutter unit.
- (2) Remove the cutter unit.
- (3) Mount a new cutter unit.
- (4) Fasten the screw of the cutter unit to secure the cutter unit.





4

Close the front cover.



5

Press the **ENTER** key.

- The machine returns to LOCAL mode.



# CHAPTER 6

## Troubleshooting



This section describes the corrective measures to be taken for a phenomenon suspected to be trouble and the procedures to clear the error number displayed on the LCD.

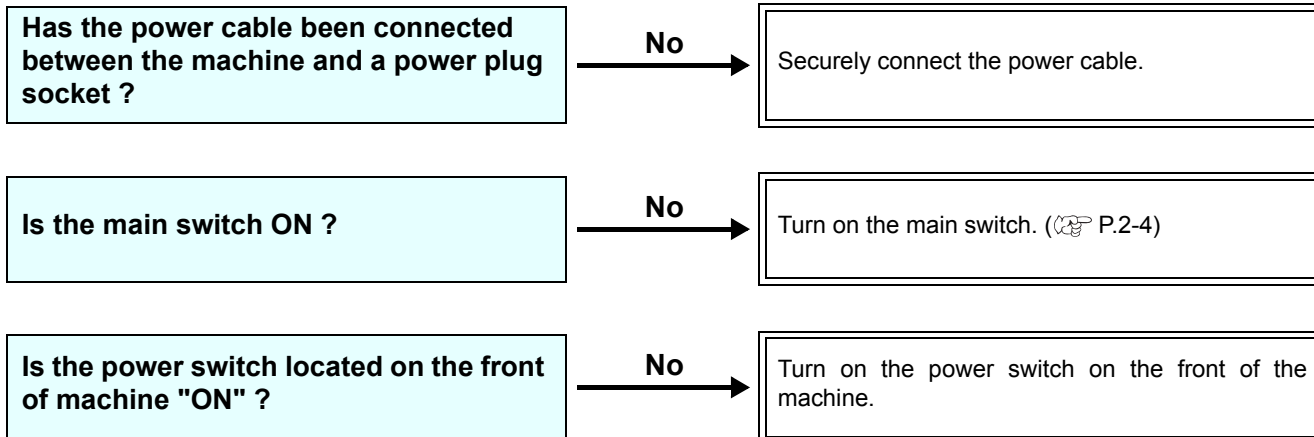
<b>Troubleshooting</b> .....	<b>6-2</b>
Power does not turn on .....	6-2
The machine does not start printing .....	6-2
Media get jammed / media is soiled .....	6-3
[HEAT] or [CONSTANT] LED does not light up .....	6-3
Image quality is poor .....	6-4
Nozzle is clogged .....	6-4
Ink cartridge warning appears .....	6-5
<b>Warning / Error Messages</b> .....	<b>6-6</b>
Warning messages .....	6-6
Error messages .....	6-10

# Troubleshooting

Take appropriate actions as described below before taking the trouble as a failure.  
If still the problem is not solved after troubleshooting, contact your dealer or an office of MIMAKI.

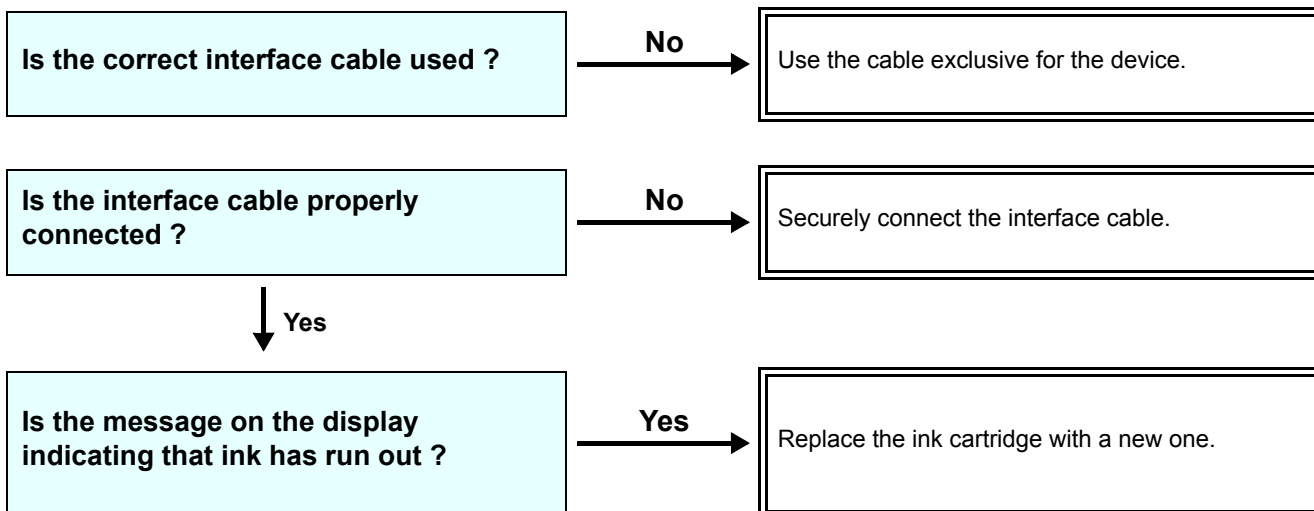
## Power does not turn on

In most cases, this is due to improper connection of the power cable for the machine or computer. Check that the power cable is connected properly.



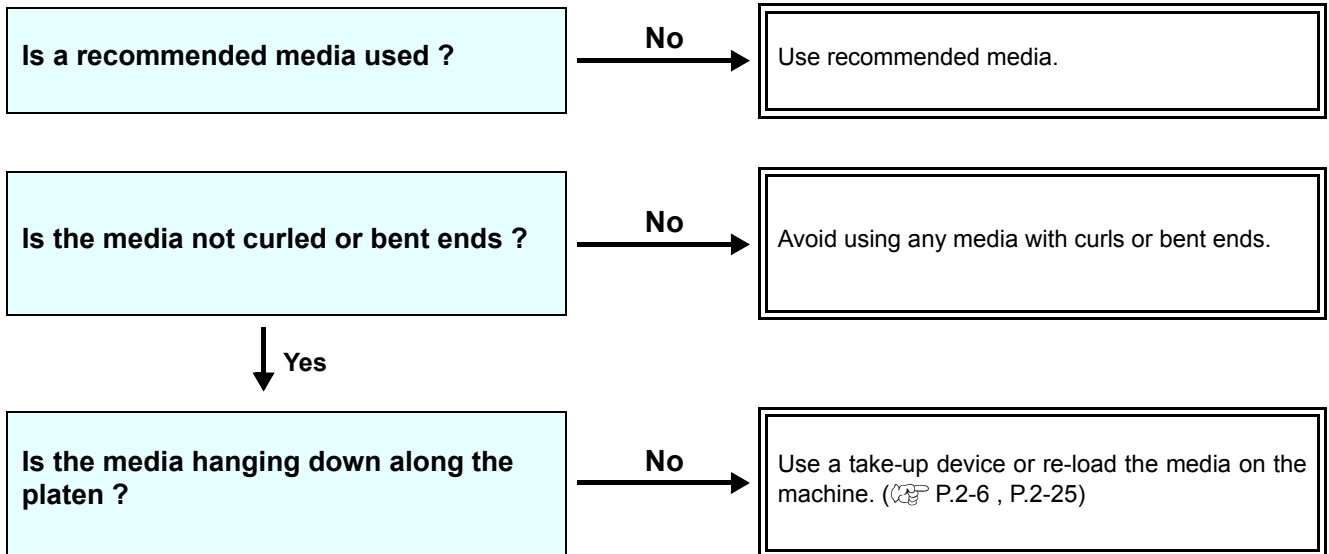
## The machine does not start printing

This occurs when the data is not being transmitted to the machine properly.  
It can also occur when the printing function does not work properly or the media is not set correctly.



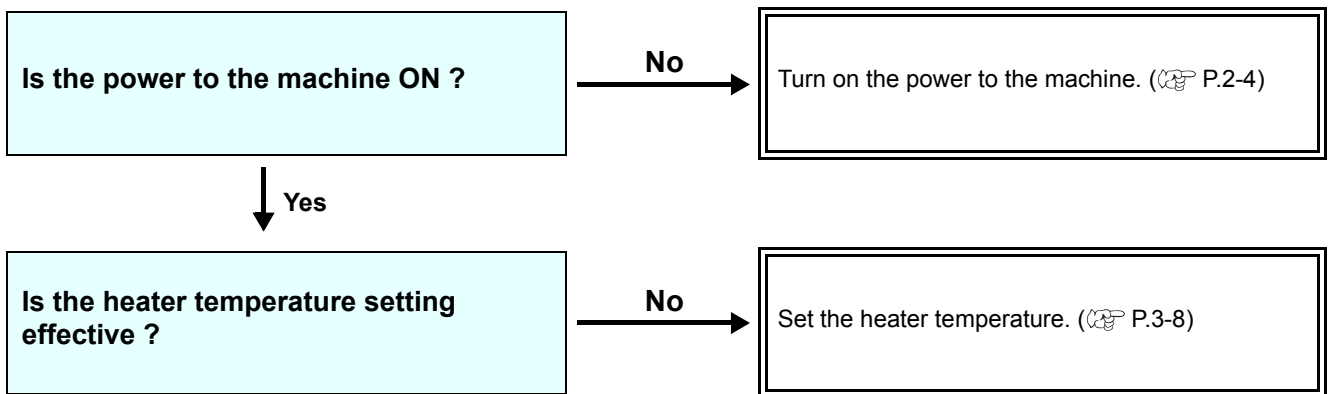
## Media get jammed / media is soiled

Media jamming or stained media is considered to be due to the use of an unsuitable media or improper setting of media.



## [HEAT] or [CONSTANT] LED does not light up

Check the basic operation.



## Image quality is poor

This section describes the corrective actions to be taken in case the image quality is not satisfactory. Take remedy for particular problems with image quality. If the remedy does not work, contact your dealer or an office of MIMAKI.

Phenomenon	Measures
<b>White lines / blur / dark stripes (in the direction of travel of the heads)</b>	<ol style="list-style-type: none"> <li>(1) Execute the head cleaning. (☞ P.2-33)</li> <li>(2) Perform maintenance of the inside of the station. (☞ P.5-5)</li> <li>(3) Execute the [MEDIA COMP.] function. (☞ P.3-5)</li> <li>(4) If any pieces of paper or dust is attached on the path of the heads such as media press, remove it.</li> </ol>
<b>Characters are double- or triple-printed in the media feed direction</b>	<ol style="list-style-type: none"> <li>(1) Execute the [MEDIA COMP.] function. (☞ P.3-5)</li> </ol>
<b>Disagreement in print positions between outward trip and homeward trip</b>	<ol style="list-style-type: none"> <li>(1) Execute the [DROP POSITION] function. (☞ P.5-26)</li> </ol>
<b>Ink drops falling on media during printing</b>	<ol style="list-style-type: none"> <li>(1) Execute the wiper cleaning. (☞ P.5-5)</li> <li>(2) Execute the ink cap cleaning. (☞ P.5-5)</li> <li>(3) Execute the head cleaning [NORMAL]. (☞ P.2-33)</li> <li>(4) When the phenomenon is not improved, execute the periodical wiping setting. (☞ P.5-30)</li> </ol>

## Nozzle is clogged

When nozzle clogging is not dissolved even after the head cleaning referring to P.2-33, make sure the following operations.

- Fill ink by the operations of P.5-21.
- Replace ink by the operations of P.5-22.

## Ink cartridge warning appears

If an ink cartridge trouble is detected, a warning message appears and none of printing, cleaning and all the other operations that use ink is available.  
In this case, replace the ink cartridge in question immediately.

**Important!**

- Once cartridge trouble is displayed, do not leave the ink cartridge without replacing it for a long time; otherwise, the machine will lose the nozzle clogging prevention function.  
If nozzles are clogged, the machine must be repaired by MIMAKI's service engineer.

### Displaying the description of ink cartridge trouble

The contents of cartridge error are confirmable by the following operations. (☞ P.6-7)

**1**

Press the **ENTER** key in the local mode.

BS * INK	MMCCYYKK
REMA I N	3 4 5 6 7 8 9 9

**2**

Press the **FUNCTION** key.

NON-ORIGINAL INK
---C---

- When two or more cartridge troubles occur, warnings can be displayed in turn by pressing the **▲** or **▼** key.
- Press the **FUNCTION** key or **END** key to return to the display of the remaining amount of ink.

# Warning / Error Messages

If some trouble occurs, the buzzer sounds and the display shows a corresponding error message. Take an appropriate remedy for the displayed error.

## Warning messages

Message	Cause	Solution
Close a cover.	The front cover or the maintenance cover is opened.	Check the front cover and maintenance covers. If the same error message appears again even after closing all the covers, contact your local distributor to call for service.
** NO MEDIA **	A media has not been set.	Set media.
!EXCHANGE BATTERY	The battery life end of the internal clock is detected.	Contact your local distributor to call for service.
<LOCAL . 1> [#01] Replace a WIPER<MNT>	Time to replace the wiper in the capping station with a new one has come. (The wiping count has reached the specified value.)	Replace the wiper with a new one. (☞ P.5-7)
<LOCAL . 1> [#01] !Do TEST DRAW	The nozzle recovery cannot be expected because the machine has been left standing for a prolonged period of time.	Perform test printing then check nozzle clogging. In the case of nozzle clogging observed, perform cleaning. (☞ P.2-33) In the case of significant nozzle clogging observed, perform the operations of P.5-10 "Washing of Head nozzle".
PRE PRT POST BREAK *** C *** C	A heater is disconnected. (This example shows that pre-heater is disconnected.)	Contact your local distributor to call for service.
PRE PRT POST THERM *** C *** C	The thermistor of a heater is defective. (This example shows that the thermistor of pre-heater is defective.)	
<LOCAL . 1> [#01] NEAR END MMCC----	Ink for one supply path has been nearly used up.	Replace the cartridge for the supply path corresponding to the indicated color. You can print without replacing the cartridge (until INK END is displayed). However, the machine returns to local mode every completion of printing one file.
*REMOTE . 1* [#01] NEAR END MMCC----		
<LOCAL . 1> [#01] INK END ----YYKK	Ink for one supply path has been completely used up.	Replace the cartridge for the supply path corresponding to the indicated color.
*REMOTE . 1* [#01] INK END ----YYKK		
<LOCAL . 1> [#01] !CAR	Ink cannot be supplied due to the cartridge per one supply path.	Check the cartridge for the supply path corresponding to the indicated color.
*REMOTE . 1* [#01] !CAR		



Message	Cause	Solution
<LOCAL.1> [#01] InkLevel ----Y-K-	600cc ink is low.	Remove and weigh the 600cc cartridge, then set it again. (☞ P.3-41)
*REMOTE.1* [#01] InkLevel ----Y-K-		
INK LEVEL (600cc) -----	600cc ink is low.	Remove and weigh the 600cc cartridge, then set it again. (☞ P.3-41)
<LOCAL.1> [#01] REINSERT CARTRIDGE	Ink near end was detected right after the cartridge with much remaining amount of ink has been inserted.	Pull out the inserted cartridge and insert it again. If the message will be displayed again, contact a distributor in your district or our office to call for service.
<LOCAL.1> !CAR [#01]	There is a problem with installed ink cartridges. (In the case of overlapping with other warnings, the display turns to "< LOCAL.1> !CAR/WASH" and [#**] is erased. )	Check the content of the warning details in the guidance function.
*REMOTE.1* !CAR [#01]		
<LOCAL.1> !WASH [#01]	There is a problem with the installed cleaning solution cartridge. (In the case of overlapping with other warnings, the display turns to "< LOCAL.1> !CAR/WASH" and [#**] is erased. )	Check that the cleaning solution cartridge has been set properly.
*REMOTE.1* !WASH [#01]		
INK NEAR END MMCC ----	The ink of the ink cartridge has been nearly used up.	Replace the cartridge generating the warning with a new one.
INK END ---- YYKK	The ink of the ink cartridge has been completely used up.	Replace the cartridge generating the warning with a new one.
NON-ORIGINAL INK ---- YYKK	The ink cartridge is not MIMAKI genuine.	Replace the cartridge generating the warning with a MIMAKI genuine.
WRONG INK IC ---- YYKK	The IC chip of the ink cartridge cannot be read normally.	Remove the cartridge generating the warning once and install it again. If the same warning message still appears, contact your local distributor to call for service.
Kind of INK -----	The ink of the ink cartridge is different in type from the ink currently supplied.	Check the ink type of the cartridge generating the warning..
Color of INK -----	The ink of the ink cartridge is different in color from the ink currently supplied.	Check the ink color of the cartridge generating the warning.
WRONG CARTRIDGE -----	There is trouble with an installed ink cartridge.	Check the cartridge generating the warning.
NO CARTRIDGE -----	An ink cartridge has not been installed in the slot.	Install an appropriate cartridge in the slot generating the warning.
Expiration -----	The specified expiration date of an ink cartridge has passed.	Replace the cartridge generating the warning with a new one. The cartridge may be used until one month passes after the specified expiration date.

Message	Cause	Solution
Expiration:1MONTH -----	The expiration date of an ink cartridge has passed (one month has passed after the specified expiration date).	The red LED blinks. Replace the cartridge generating the warning with a new one. The cartridge may be used until two months pass after the specified expiration date.
Expiration:2MONTH -----	The expiration date of an ink cartridge has passed (two months have passed after the specified expiration date).	Replace the cartridge generating the warning with a new one.
EXPIRED INK IN USE -----	The ink has been extended the expiry month and has been used.	Replace the ink cartridge. (☞ P.1-12)
COMPLETELY EXPIRED -----	For the ink extended the expiry month, six months have passed since the expiry month shown on the cartridge.	Replace the ink cartridge. (☞ P.1-12)
INK REMAIN ZERO -----	Remaining amount of ink in an ink cartridge is zero.	Replace the cartridge generating the warning with a new one.
<LOCAL.1> [#01] Check waste ink<MNT>	The waste ink tank is nearly full.	Replace the waste ink tank then execute [MAINTENANCE]-[Ink Tank Exchange]. (☞ P.5-40)
!Wash Liquid END	The cleaning liquid cartridge is empty.	Replace the cleaning solution cartridge with a new one.
!washLiquidCart.NON	The cleaning liquid cartridge has not been installed.	Install the cleaning solution cartridge.
!WRONG WASH CART.	There is trouble with cleaning liquid cartridge.	Check the cleaning solution cartridge.
** Washing liquid **	Cleaning solution has not been supplied.	Supply the cleaning solution. Execute [MAINTENANCE]-[HD.MAINTENANCE]-[FILL UP INK]. (☞ P.5-21)
!Take-UP CoverOPEN	The cover of the heavy-duty take-up device opens.	Close the cover of the heavy-duty take-up device. If the error message is displayed even if the cover is closed, contact our service and sales office.
!Take-UP LimitDETECT	The control limit sensor of the heavy-duty take-up device is detected.	Move down the position of the tension bar at the take up side. If the error message is displayed even if you move it down, contact our service and sales office.
!Take-UP WRONG	An abnormality occurs in the status of take up of the heavy-duty take-up device.	Conform whether the medium is taken up with the heavy-duty take-up device properly. Confirm whether the paper core take up the medium goes around in circles or not.
!Feeding CoverOPEN	The cover of the heavy-duty feeding device opens.	Close the cover of the heavy-duty feeding device. If the error message is displayed even if the cover is closed, contact our service and sales office.

Message	Cause	Solution
!Feeding LimitDETECT	The control limit sensor of the heavy-duty feeding device is detected.	Move down the position of the tension bar at the drawn side. If the error message is displayed even if you move it down, contact our service and sales office.
!Feeding WRONG	An abnormality occurs in the status of drawn of the heavy-duty feeding device.	Conform whether the medium is set on the heavy-duty feeding device properly.
		Confirm whether the medium goes around in circles or not.

## Error messages

When an error message is displayed, eliminate the error according to the chart below.

If the same error message appears again, contact your dealer or an office of MIMAKI to call for service.

Message	Cause	Solution	
***** ERROR 01 ***** MAIN ROM	An error occurred in the circuit board system. (ROM)	Turn off the power to the machine and turn it on after a while. If the same error message appears again, contact your local distributor to call for service.	
***** ERROR 02 ***** MAIN RAM	An error occurred in the circuit board system. (RAM)		
***** ERROR 03 ***** POWER +5V	An error occurred in the circuit board system. (POWER +5V)		
***** ERROR 03 ***** POWER +24V	An error occurred in the circuit board system. (POWER +24V)		
***** ERROR 03 ***** POWER +42V	An error occurred in the circuit board system. (POWER +42V)		
***** ERROR 04 ***** F-ROM	An error occurred in the circuit board system. (F-ROM)		
***** ERROR 06 ***** SD-RAM	An error occurred in the circuit board system. (SD-RAM)		
***** ERROR 07 ***** HEAD (----)	An error in heads was detected. (Abnormal temperature was detected.)		
***** ERROR 07 ***** VOLTAGE (----)	An error in heads was detected. (Abnormal voltage was detected.)		
***** ERROR 08 ***** LinearENCODER:SENSOR	An error occurred in the linear encoder. (Counting was unable. )		
***** ERROR 08 ***** LinearENCODER:DIR.	An error occurred in the linear encoder. (Error in the mounting direction.)		
***** ERROR 08 ***** LinearENCODER:COUNT	An error occurred in the linear encoder. (Read-out count error)		
***** ERROR 09 ***** FPGA ERROR	An error occurred in the circuit board system. (FPGA PDC)		
***** ERROR 09 ***** HDC ERROR (----)	An error occurred in the circuit board system. (FPGA HDC)		
***** ERROR 10 ***** COMMAND ERROR	The machine received some data other than command data.		Securely connect the interface cable in position. Use an interface cable conforming to the specifications.
***** ERROR 10 ***** CMD (DBL.Side:FRONT)	An error occurred when the machine cannot print on front side.		Check the machine.
	When ON is set for back side printing, the machine received some data other than back side printing data.	Check the setting of the printing data again.	

Message	Cause	Solution
***** ERROR 11 ***** PARAMETER ERROR	Any parameter outside the range of acceptable numeric values was received.	Turn off the main power to the machine and turn it on after a while. If the same error message appears again, contact your local distributor to call for service.
***** ERROR 16 ***** MRL COMMAND	The received data does not follow the command system set by the machine.	Transmit data that is compatible with the command system supported by this machine.
***** ERROR 25 ***** FULL - SPEED	An error occurred in communication between the host computer and the interface board for USB2.0 connection.(Full-Speed mode connection)	Check that the host PC supports the USB2.0 interface. (Communication can be resumed without changing any setting. However, it is recommend to use the connection in High-Speed mode.)
***** ERROR 25 ***** PACKET SIZE OVER	An error occurred in communication between the host computer and the interface board for USB2.0 connection.	Check that the cable is securely connected to the host computer and interface board. Also, check to see if any error has occurred on the host computer.
***** ERROR 25 ***** USB PROTOCOL	An error occurred in communication between the host computer and the interface board for USB2.0 connection.	
***** ERROR 25 ***** USB ENVIRONMENT	An error occurred in communication between the host computer and the interface board for USB2.0 connection.	
***** ERROR 25 ***** USB DATA	An error occurred in communication between the host computer and the machine for USB2.0 connection.	
***** ERROR 30 ***** CAN'T OPERATE	Improper operation was conducted on the operation panel.	
***** ERROR 34 ***** DATA REMAIN	It is being tried to change settings for functions though there remains received data that has not yet been printed.	Print all the received data or execute the data clear function. Then, change settings.
***** ERROR 40 ***** MOTOR ALARM X	An excessive load was applied to the X motor.	Turn off the main power to the machine and turn it on after a while. If the same error message appears again, contact your local distributor to call for service.
***** ERROR 41 ***** MOTOR ALARM Y	An excessive load was applied to the Y motor.	
***** ERROR 42 ***** X OVER CURRENT	An error due to an excessive current of the X motor was detected.	
***** ERROR 43 ***** Y OVER CURRENT	An error due to an excessive current of the Y motor was detected.	
***** ERROR 45 ***** CAPPING:PARAMETER	An error occurred in the capping control. (Improper parameter adjustment value)	

Message	Cause	Solution
***** ERROR 46 ***** WIPER	An error occurred in the wiper control.	Turn off the main power to the machine and turn it on after a while. If the same error message appears again, contact your local distributor to call for service.
***** ERROR 50 ***** MEDIA WIDTH SENSOR	Paper could not be detected. The media set position or media itself is not proper.	If the same error message appears again even after setting the media properly, contact your local distributor to call for service.
***** ERROR 50 ***** MEDIA SET POSITION L ***** ERROR 50 ***** MEDIA SET POSITION R	The set position of the media is not proper. The media detection has not completed.	Set the media to the proper position again. (☞ P.2-9、 P.2-20、 P.2-26)
***** ERROR 51 ***** Y-ORIGIN	Y-origin could not be detected.	Turn off the main power to the machine and turn it on after a while. If the same error message appears again, contact your local distributor to call for service.
***** ERROR 64 ***** TAKE-UP VOLTAGE	An abnormality occurs in the control system of the heavy-duty take-up device.	
***** ERROR 64 ***** FEEDER VOLTAGE	An abnormality occurs in the control system of the heavy-duty feeding device.	
***** ERROR 65 ***** TAKE-UP TENSION-BAR	An abnormality occurs in the control system of the heavy-duty take-up device.	If the error message is displayed even if you set the medium properly, once turn OFF the power supply and after a while, turn it ON again. If the error message is displayed again, contact our service and sales office.
***** ERROR 66 ***** FEEDER TENSION-BAR	An abnormality occurs in the control system of the heavy-duty feeding device.	
***** ERROR 67 ***** TAKE-UP UNIT 00	An abnormality occurs in the heavy-duty take-up device.	Confirm the connection of the heavy-duty take-up device.
		If the error message is displayed even if you connect the device properly, once turn OFF the power supply and after a while, turn it ON again.
		If the error message is displayed again, contact our service and sales office.
***** ERROR 67 ***** TAKE-UP UNIT 01	The heavy-duty take-up device is not connected.	Turn off the main power to the machine and turn it on after a while. If the same error message appears again, contact your local distributor to call for service.
***** ERROR 67 ***** TAKE-UP UNIT 02	The heavy-duty take-up device is connected to a wrong position.	
***** ERROR 67 ***** TAKE-UP UNIT 04	An abnormality occurs in the heavy-duty take-up device.	
***** ERROR 67 ***** FEEDER UNIT 00	An abnormality occurs in the heavy-duty feeding device.	Confirm the connection of the heavy-duty feeding device.
		If the error message is displayed even if you connect the device properly, once turn OFF the power supply and after a while, turn it ON again.

Message	Cause	Solution
***** ERROR 67 ***** FEEDER UNIT 00	An abnormality occurs in the heavy-duty feeding device.	If the error message is displayed again, contact our service and sales office.
***** ERROR 67 ***** FEEDER UNIT 01	The heavy-duty feeding device is not connected.	Once turn OFF the power supply and after a while, turn it ON again. If the error message is displayed again, contact our service and sales office.
***** ERROR 67 ***** FEEDER UNIT 02	The heavy-duty feeding device is connected to a wrong position.	
***** ERROR 67 ***** FEEDER UNIT 04	An abnormality occurs in the heavy-duty feeding device.	
**** ERROR 120 **** ROOM TEMP LOW (XX°C)	The room temperature is out of the usable temperature range (too low).	
**** ERROR 121 **** ROOM TEMP HIGH(XX°C)	The room temperature is out of the usable temperature range (too high).	
**** ERROR 144 **** CARTRIDGE SET!	There is a slot where no cartridge has been inserted.	Set a cartridge.
**** ERROR 200 **** HEAD MEMORY (----)	An error occurred on the head unit memory.	Turn off the main power to the machine and turn it on after a while. If the same error message appears again, contact your local distributor to call for service.
**** ERROR 202 **** DVEICE CONSTRUCTION	The head is not connected. An error occurred on the head slider board. The head is not MIMAKI genuine.	
**** ERROR 203 **** SDRAM SIZE	A SD-RAM of the size required for the machine has not been equipped.	Turn off the main power to the machine and turn it on after a while. If the same error message appears again, contact your local distributor to call for service. (When a usable SD-RAM is available, the machine can be started as is. However, a printing speed may be slow depending on resolution. )
**** ERROR 205 **** 42V HEAD Voltage	An abnormal voltage of head was detected.	Turn off the main power to the machine and turn it on after a while. If the same error message appears again, contact your local distributor to call for service.
**** ERROR 207 **** XXXXXXXXXX	An error is detected on the waveform printed on the lower line of the display.	
**** ERROR 208 **** CHECK MAIN PCB ID XX	Model ID of main PCB is different. (XX is ID code.)	
**** ERROR 211 **** HeaterTEMP(--/--/--)	An abnormal temperature of the media heater was detected.	
**** ERROR 211 **** HeadWARM.TEMP.(----)	An abnormal temperature of the head heater was detected.	
**** ERROR 250 **** Y COORDINATES	An error was detected during scanning operation.	
**** ERROR 251 **** SYSTEM ERROR	A system error occurred.	





# **CHAPTER 7**

## ***Appendix***



**This section attaches a list of the specifications and a list of the functions of this printer.**

- Machine specifications ..... 7-2**
- Ink specifications ..... 7-4**
- Sheet for inquiry ..... 7-5**
- Warning labels ..... 7-6**
- Function Flowchart ..... 7-8**

# Machine specifications

Item		JV33-260BS
Print head	Method	Drop-on-demand piezoelectric print heads
	Specification	1 head
Drawing mode (scan x feed)		720 x 540dpi 540 or 720 x 720dpi 540 x 900dpi 540 or 720 x 1080dpi 720 x 1440dpi 1440 x 1440dpi
Usable inks		BS* ink
Ink supply		Supplying from ink cartridges through tubes. Ink cartridge replacement type : Only at 4 colors: Supplying by Toggle switchover with 2 cartridges/ color
Capacity of ink cartridge		600cc 2 pscks for each color, 1200cc/1 color
Media type		Tarpaulin, FF, PVC
Max. printing width		2632mm
Roll Media size	Maximum	2642mm
	Minimum	210mm
	Thickness	1.0 mm or less
	Roll outside diameter	φ 250mm or less
	Roll weight *1	100kg or less
	Roll inside diameter	3 or 2 inches
	Printing surface	Side facing outward
	Roll end treatment	The roll end is gently fixed to the core with weak-adhesive tape or weak glue for easy removal.
Leaf media size	Maximum	2642mm
	Minimum	210mm
Margin	Leaf media	Left end and right end:25 mm (Default) Front : 40.0 mm    Rear : 98.5 mm
	Roll media	Left end and right end :25 mm (Default) Front : 40.0 mm    Rear : 0.0 mm
Distance accuracy	Absolute accuracy	Whichever the larger one of ± 0.3 mm or ± 0.3 % of the designated
	Reproducibility	Whichever the larger one of ± 0.2 mm or ± 0.1 % of the designated
Perpendicularity		± 0.5 mm / 1000 mm
Media skew		5 mm or less / 10 m variable
Head height adjustment		2.0mm / 3.0mm (from the platen surface) 2 levels adjustable
Cutting of media		Cutting of Y direction by the head cutter, Cutting accuracy (steps) : 0.5 mm or less.
Media delivery		Take-up device supplied as a standard accessory (switching possible between face in and face out).
Waste ink tank		Bottle type ( 2,000 cc)
Interface		USB 2.0
Command		MRL- III
Noise	during standby	Less than 58 dB (FAST-A, Front & Rear & Left & Right 1 m)
	during continuous printing	Less than 65 dB
	during discontinuous printing	Less than 70 dB
Safety Standard		VCCI-Class A, FCC-Class A, UL 60950, CE Marking (EMC,Low Voltage Directive), CB Report, RoHS

Item		JV33-260BS
Power		AC100 - 120 ± 10% , AC220 - 240 ± 10% , 50/60Hz ± 1Hz , 15A or less
Power consumption *2		1333 W or less
Recommended Environment	Available temp.	20 °C to 35 °C
	Humidity	35 to 65% Rh (No condensation)
	Guaranteed temp.	20 °C to 25 °C
	Temperature change	± 10 °C / h or less
	Dust	Equivalent to normal office level
Weight		450 kg
Outside dimensions	Width	2289 mm
	Depth	1302 mm
	Height	1425 mm

\*1. Without deflection of the roll when it is retained at both ends.

\*2. Main unit and heater included.

# Ink specifications

Item		When solvent ink is used
Supply		Dedicated solvent ink cartridges
Color		Black ink cartridge Cyan ink cartridge Magenta ink cartridge Yellow ink cartridge
Ink capacity		600cc per pack
Shelf life		• BS* Ink 1 year from the date of manufacture (at room temperature) Within three months after opening the package
Storage temperature	Storage	0 to 25°C (Average daily temperature) • Be sure to keep a vessel in the airtight condition.
	Transportation	-20 to 60°C • Avoid the condition lower than -20 °C and higher than 60 °C.

**Important!**

- **Do not disassemble ink packs and do not refill them with ink.**
- **Ink could freeze if kept in a cold place for an extended period.**
  - When solvent ink is used, if the ink freezes, thaw it at room temperature (25°C) spending more than three hours before use.

# Sheet for inquiry

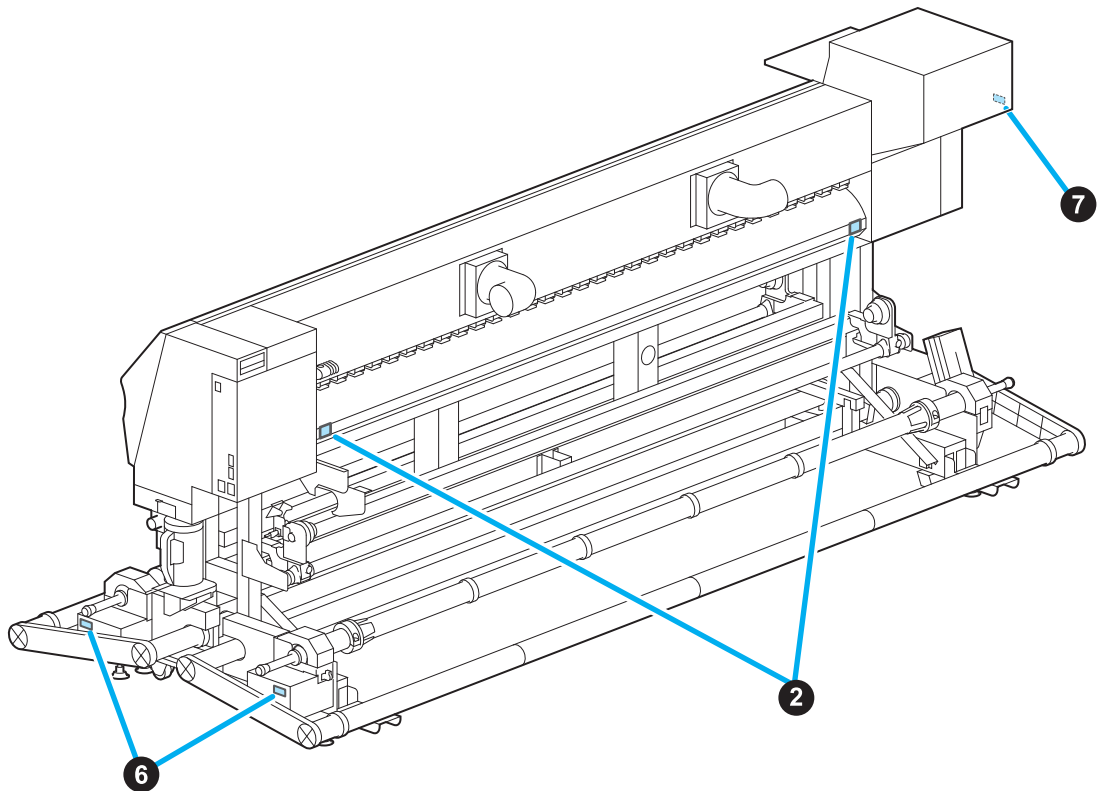
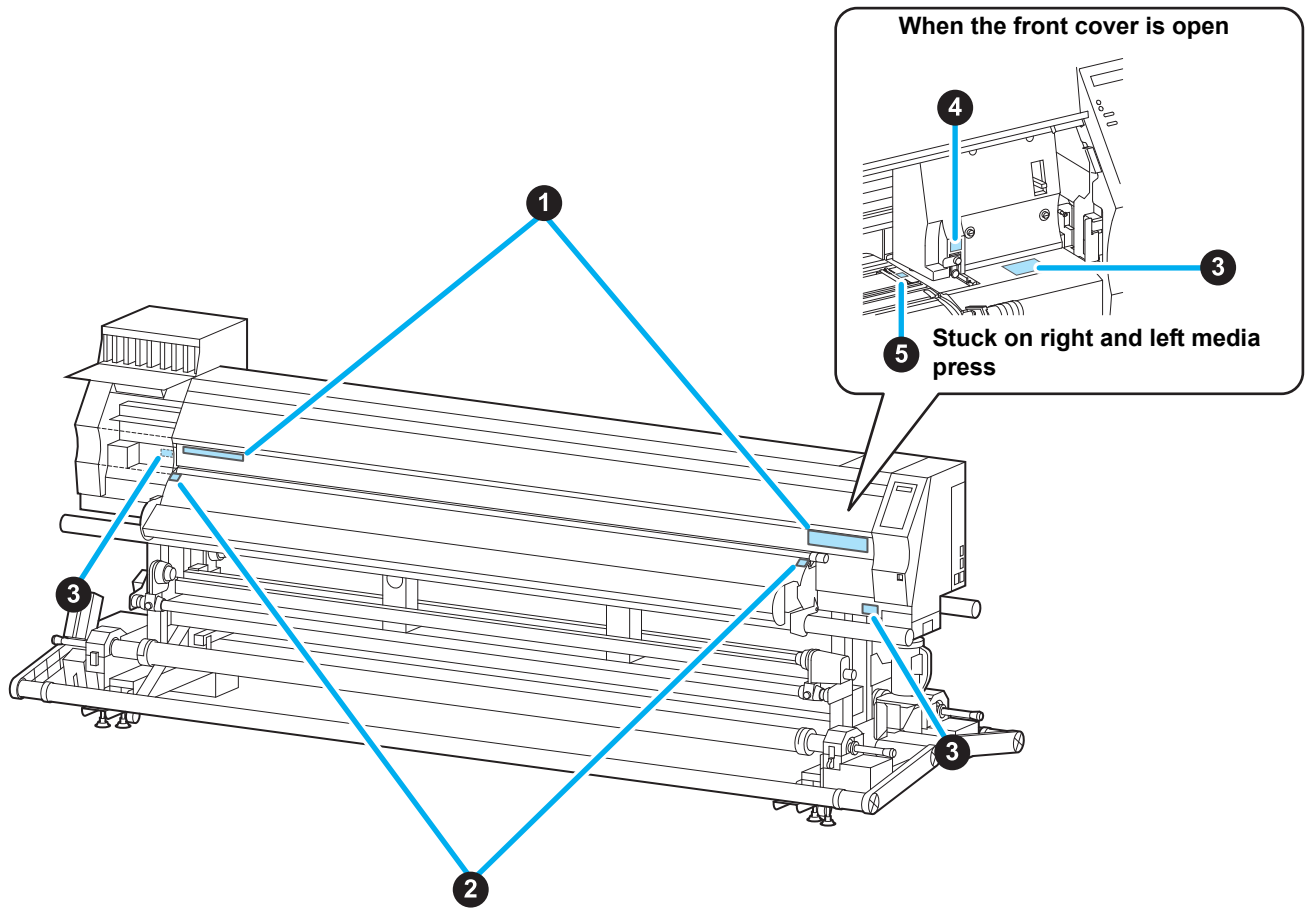
Use this sheet for troubles and abnormal functions of the machine.  
Fill in the following necessary items, and then fax the sheet to our sales office.




























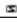





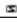





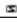


<b>Company name</b>	
<b>Person in charge</b>	
<b>Telephone number</b>	
<b>machine model</b>	
<b>Operating OS</b>	
<b>Machine information *1</b>	
<b>Error message</b>	
<b>Contents of inquiry</b>	

\*1. Refer to "Confirming Machine information" of "Convenient using" then fill in necessary information.  
(☞ P.3-56)

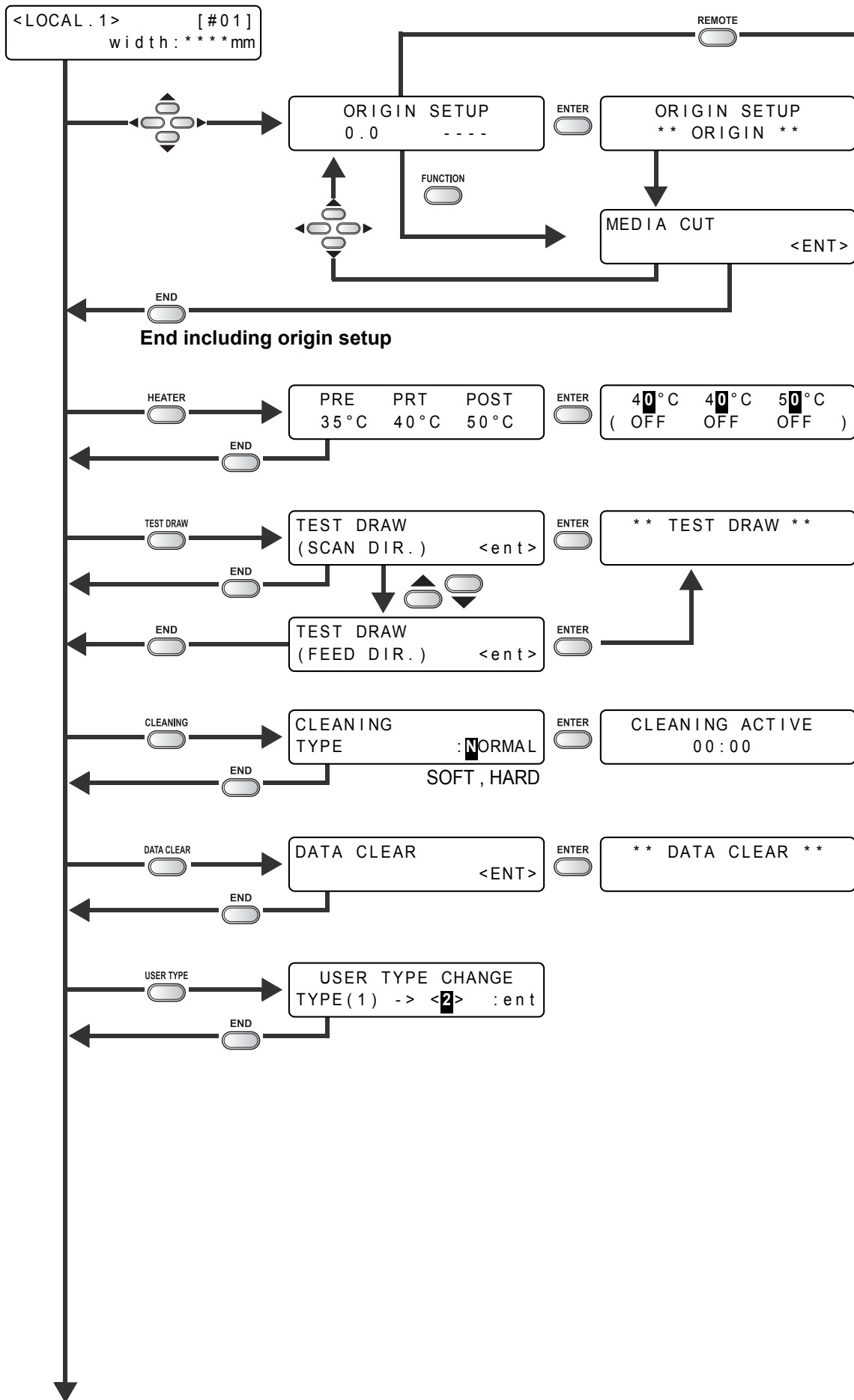
# Warning labels

Warning labels are stuck on the machine. Be sure to fully understand the warning given on the labels. If a warning label is illegible due to stains or has come off, purchase a new one from a distributor or our sales office.



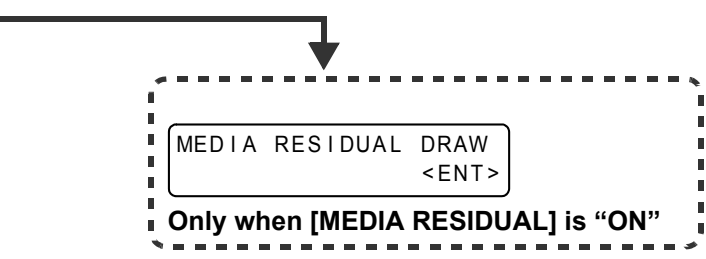
No.	Reorder	Label										
1	M901549	<table border="1"> <tr> <td> <b>注意</b></td> <td> <b>注意</b></td> <td> <b>CAUTION</b></td> <td> <b>ACHTUNG</b></td> <td> <b>ATTENTION</b></td> </tr> <tr> <td>滚轮转动时, 请勿将手插入前面外盖的内部。</td> <td>キャリッジ動作中は、フロントカバーの中に指を入れないでください。</td> <td>-MOVING CARRIAGE- Do not put fingers inside this area</td> <td>-Beweglicher Wagen- Finger nicht in diesen Bereich bringen.</td> <td>-CHARIOT MOBILE- Ne pas mettre de doigts dans cette zone. </td> </tr> </table>	 <b>注意</b>	 <b>注意</b>	 <b>CAUTION</b>	 <b>ACHTUNG</b>	 <b>ATTENTION</b>	滚轮转动时, 请勿将手插入前面外盖的内部。	キャリッジ動作中は、フロントカバーの中に指を入れないでください。	-MOVING CARRIAGE- Do not put fingers inside this area	-Beweglicher Wagen- Finger nicht in diesen Bereich bringen.	-CHARIOT MOBILE- Ne pas mettre de doigts dans cette zone. 
 <b>注意</b>	 <b>注意</b>	 <b>CAUTION</b>	 <b>ACHTUNG</b>	 <b>ATTENTION</b>								
滚轮转动时, 请勿将手插入前面外盖的内部。	キャリッジ動作中は、フロントカバーの中に指を入れないでください。	-MOVING CARRIAGE- Do not put fingers inside this area	-Beweglicher Wagen- Finger nicht in diesen Bereich bringen.	-CHARIOT MOBILE- Ne pas mettre de doigts dans cette zone. 								
2	M903239											
3	M903330											
4	M903405											
5	M904810											
6	M903404	<table border="1"> <tr> <td> <b>WARNING</b></td> <td>Hazarous moving parts. Keep fingers and other body parts away.</td> </tr> <tr> <td> <b>AVERTISSEMENT</b></td> <td>Pieces mobiles dangereuses. Nen Approchez jamais les doigts et dautres parties du corp.</td> </tr> <tr> <td> <b>WARNING</b></td> <td>Gefährliche bewegte teile! Nicht die finger oder andere korperteile in die nahe bringen!</td> </tr> <tr> <td> <b>警告</b></td> <td>危険な可動部です。 指や身体を絶対に近づけないようにしてください。</td> </tr> <tr> <td> <b>警告</b></td> <td>齿轮外露运转部！ 绝对不可用身体和手指接近。 </td> </tr> </table>	 <b>WARNING</b>	Hazarous moving parts. Keep fingers and other body parts away.	 <b>AVERTISSEMENT</b>	Pieces mobiles dangereuses. Nen Approchez jamais les doigts et dautres parties du corp.	 <b>WARNING</b>	Gefährliche bewegte teile! Nicht die finger oder andere korperteile in die nahe bringen!	 <b>警告</b>	危険な可動部です。 指や身体を絶対に近づけないようにしてください。	 <b>警告</b>	齿轮外露运转部！ 绝对不可用身体和手指接近。 
 <b>WARNING</b>	Hazarous moving parts. Keep fingers and other body parts away.											
 <b>AVERTISSEMENT</b>	Pieces mobiles dangereuses. Nen Approchez jamais les doigts et dautres parties du corp.											
 <b>WARNING</b>	Gefährliche bewegte teile! Nicht die finger oder andere korperteile in die nahe bringen!											
 <b>警告</b>	危険な可動部です。 指や身体を絶対に近づけないようにしてください。											
 <b>警告</b>	齿轮外露运转部！ 绝对不可用身体和手指接近。 											
7	M906222	 										

# Function Flowchart

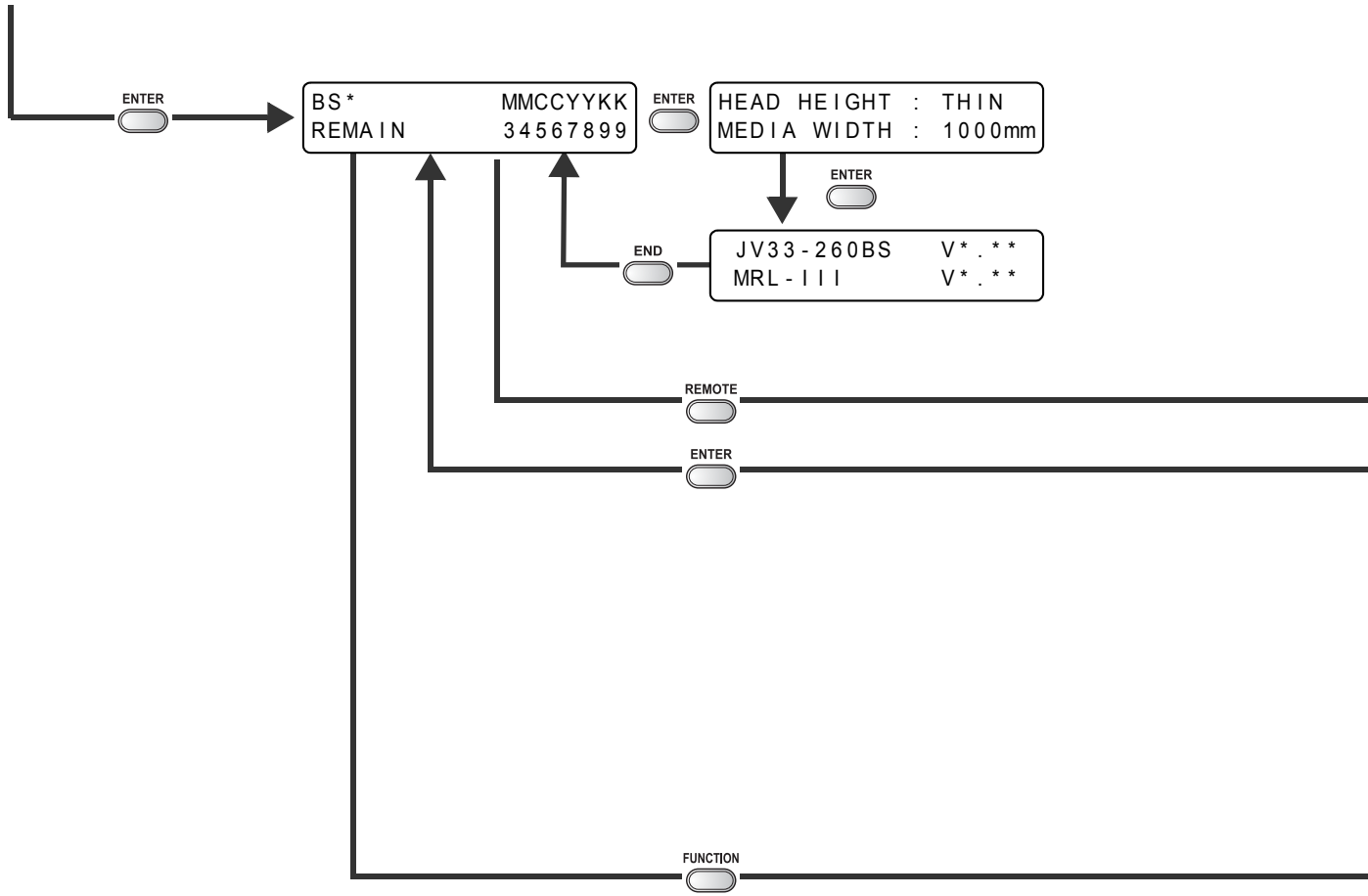


To P7-10





From P7-8



BULK/CART SELECT  
B B B B

Only when both an ink cartridge and the MBIS1 are set in the supply paths of the same color.

NON-ORIGINAL INK  
M-C- ---K

WRONG INK IC  
M-C- ---K

Kind of INK  
M-C- ---K

Color of INK  
M-C- ---K

WRONG CARTRIDGE  
M-C- ---K

NO CARTRIDGE  
M-C- ---K

Expiration:2MONTH  
M-C- ---K

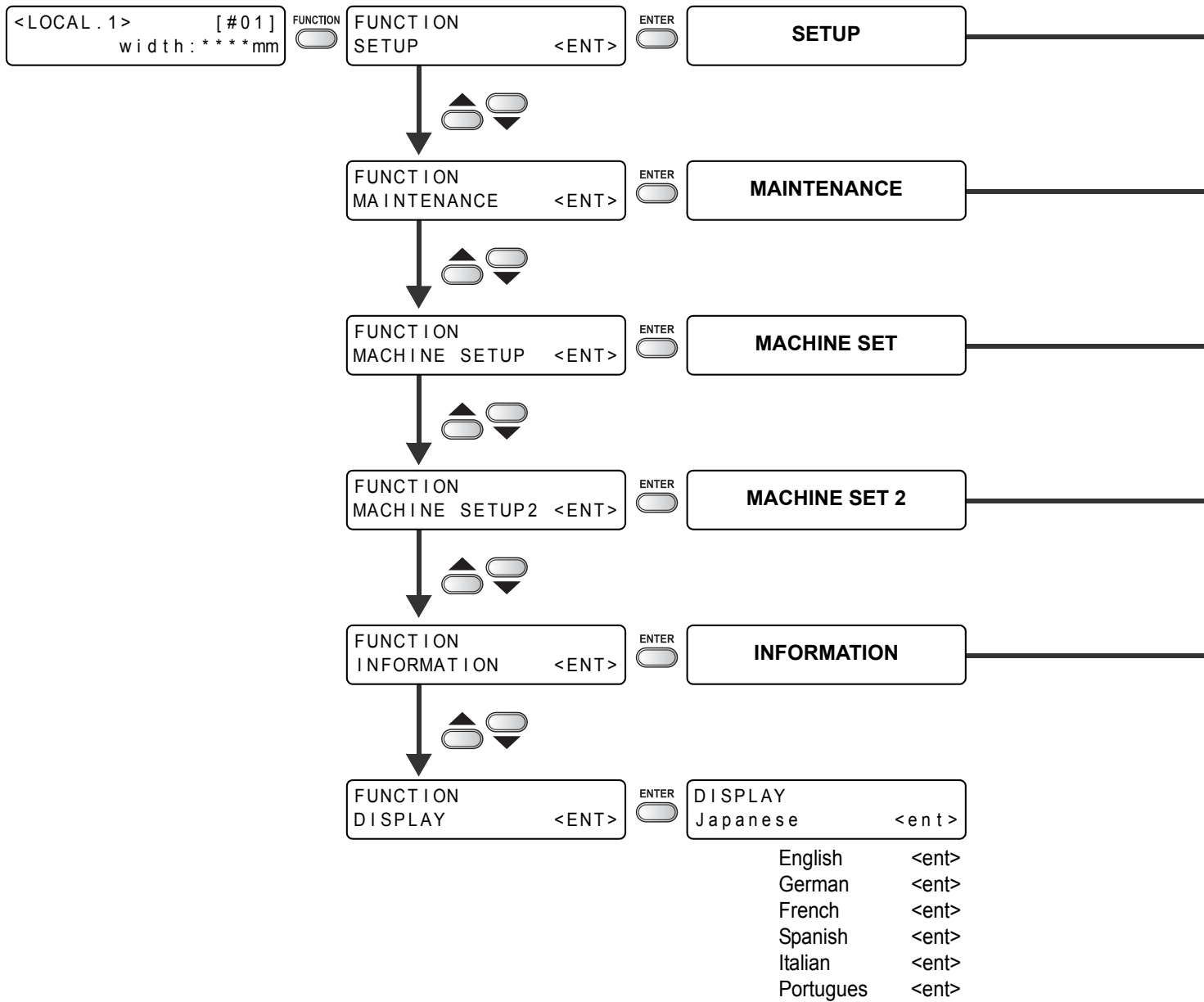
INK REMAIN ZERO  
M-C- ---K

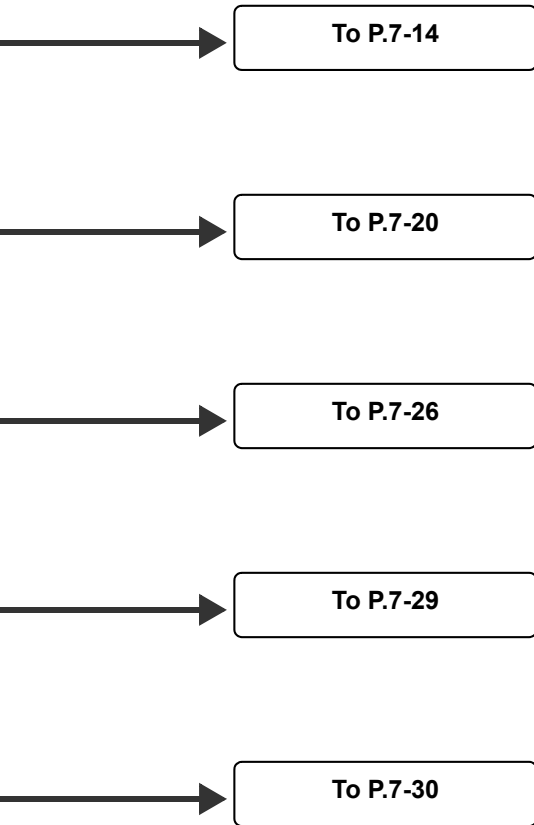
INK END  
M-C- ---K

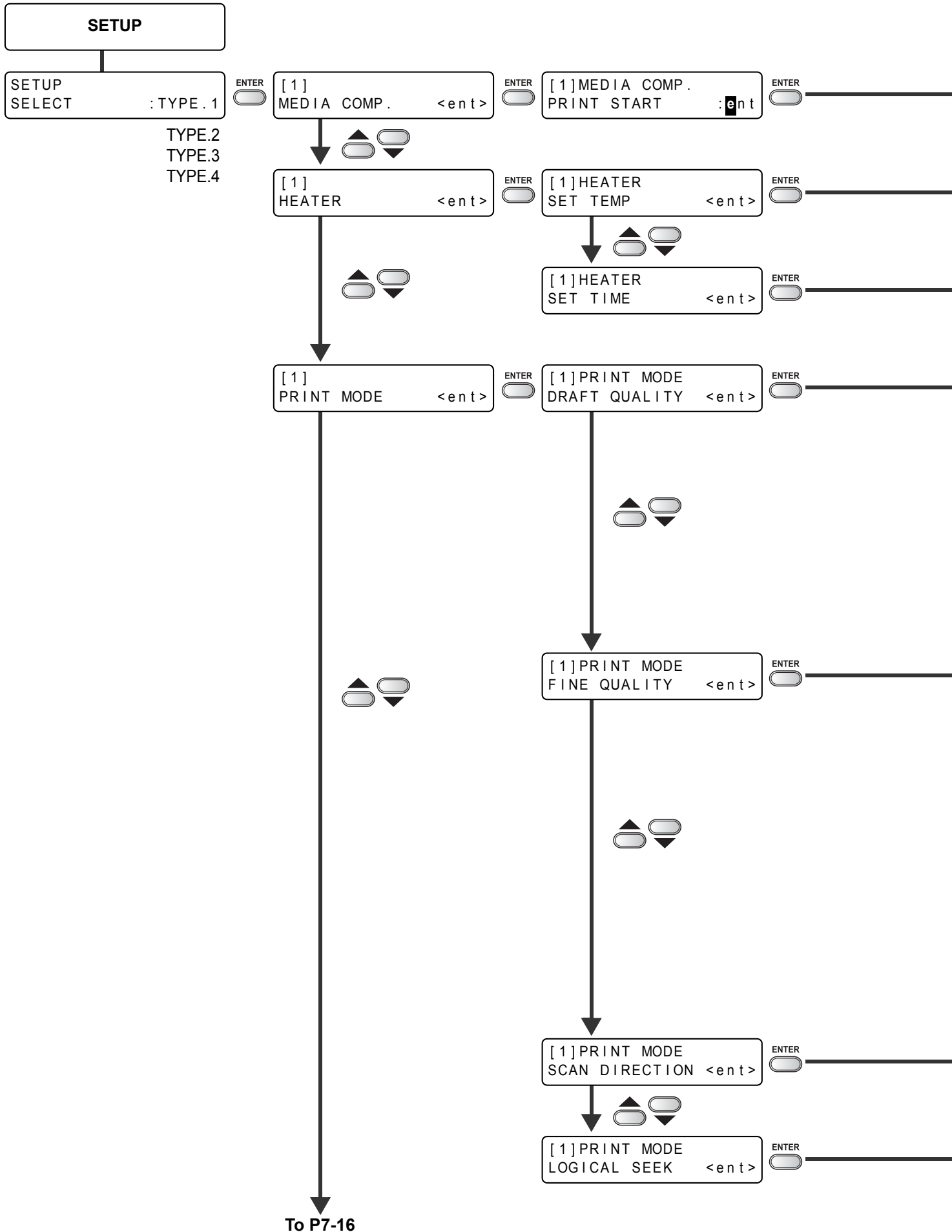
INK NEAR END  
M-C- ---K

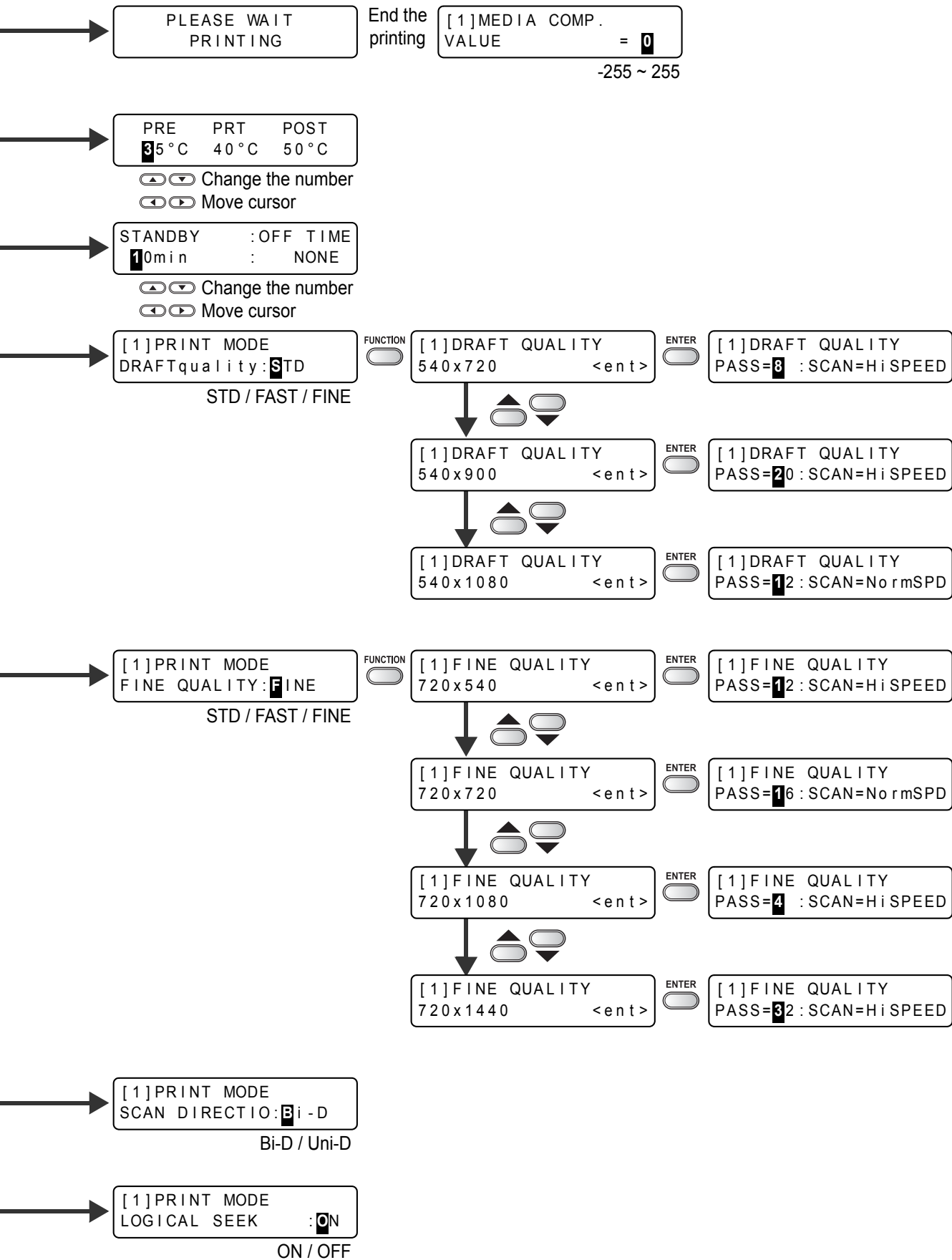
Expiration:1MONTH  
M-C- ---K

Expiration  
M-C- ---K

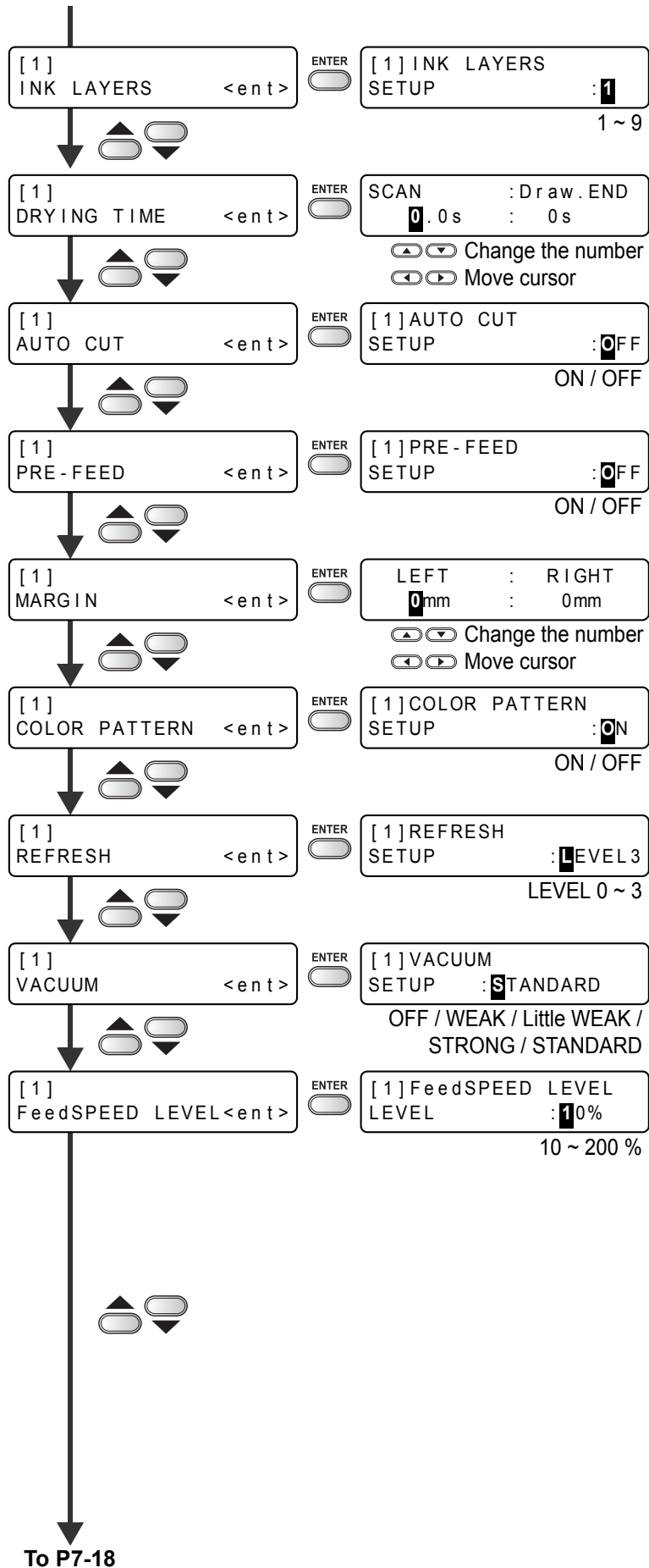








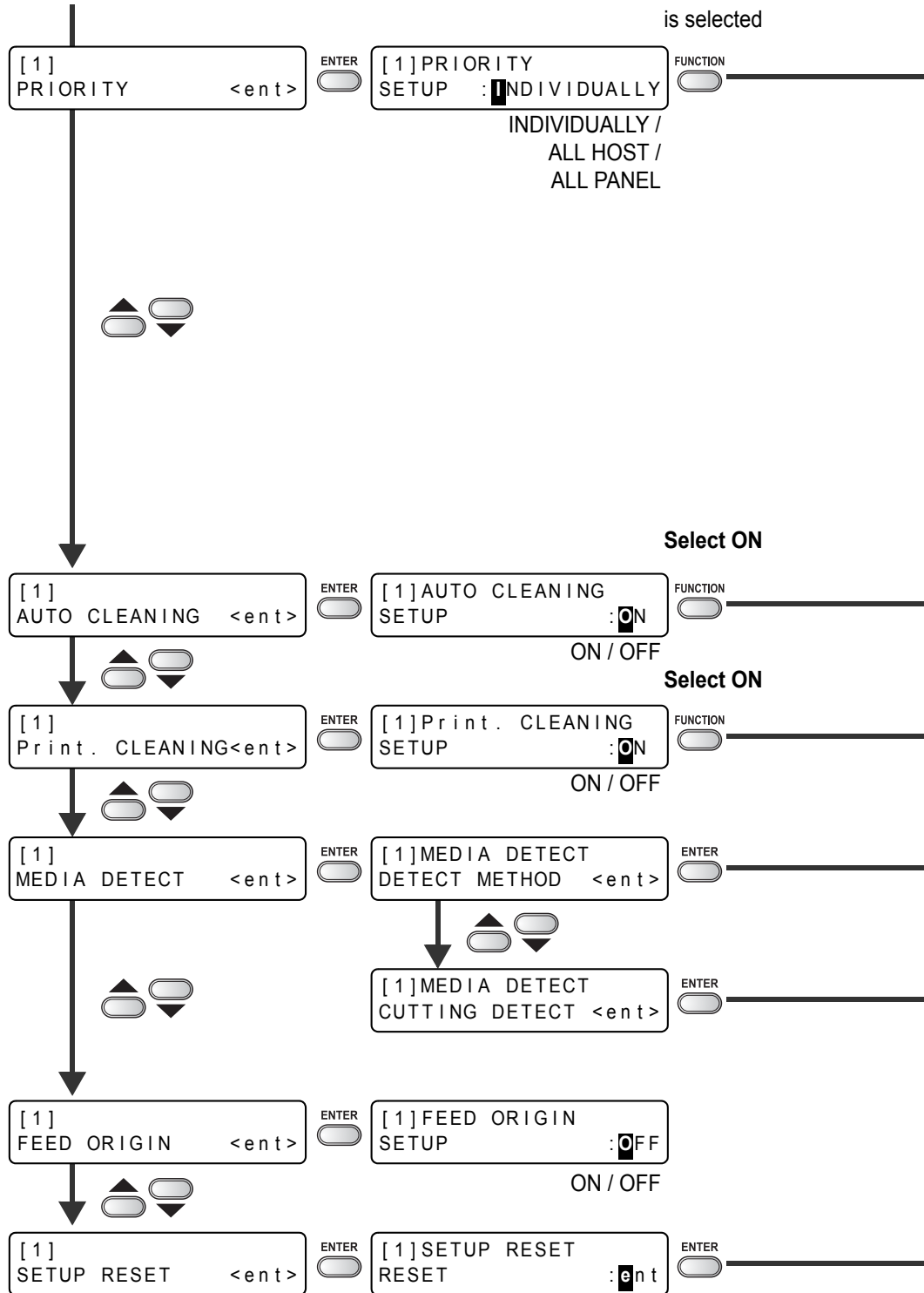
From P7-14

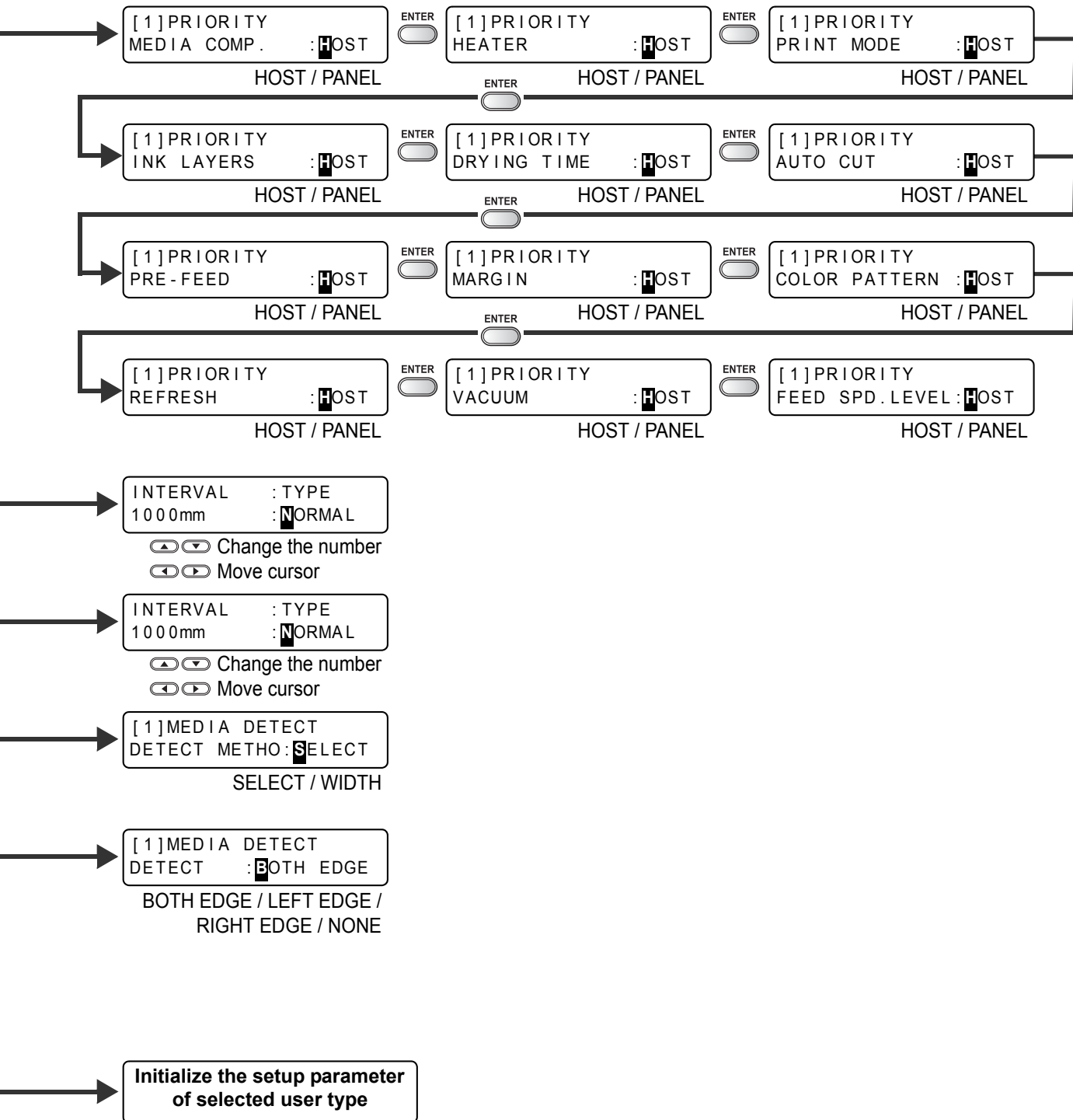


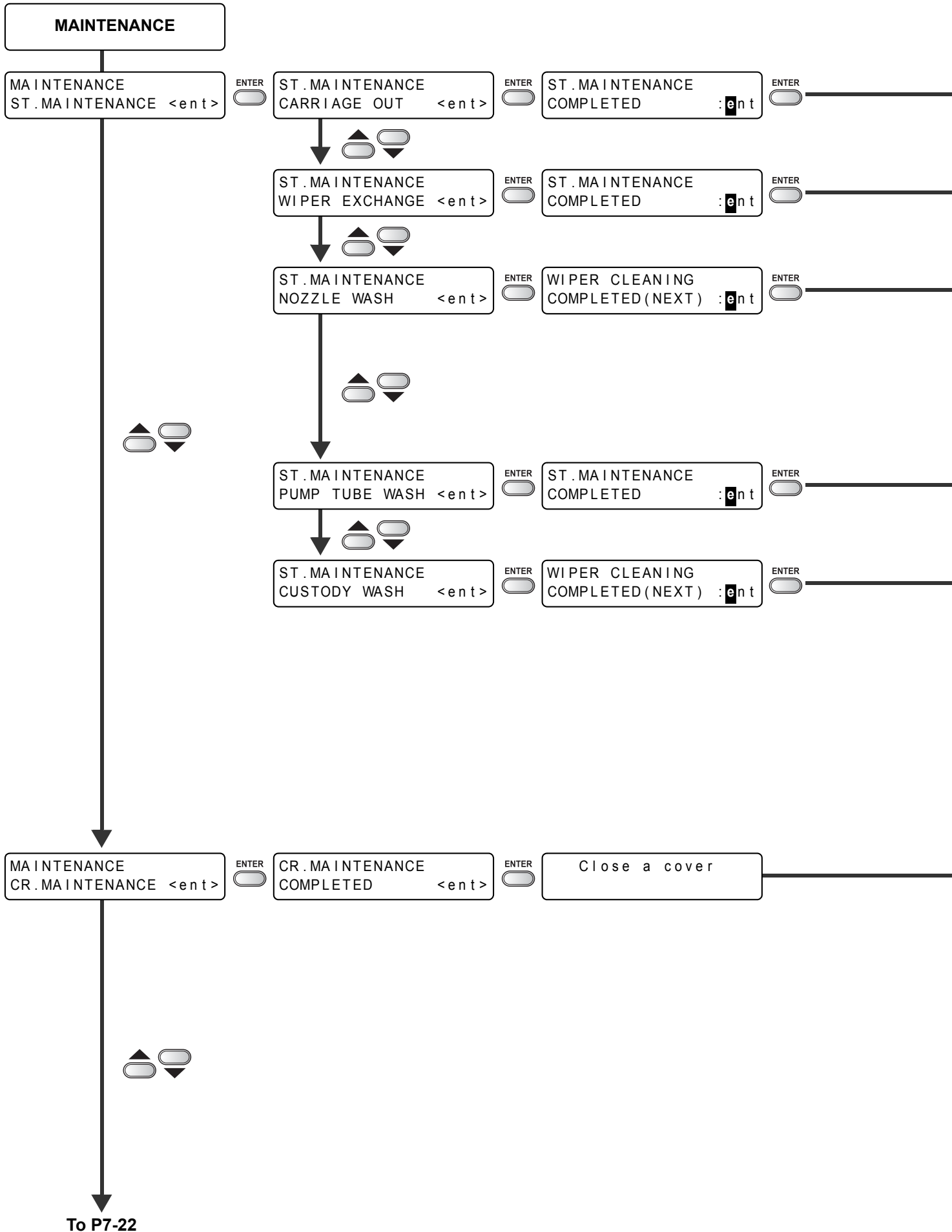


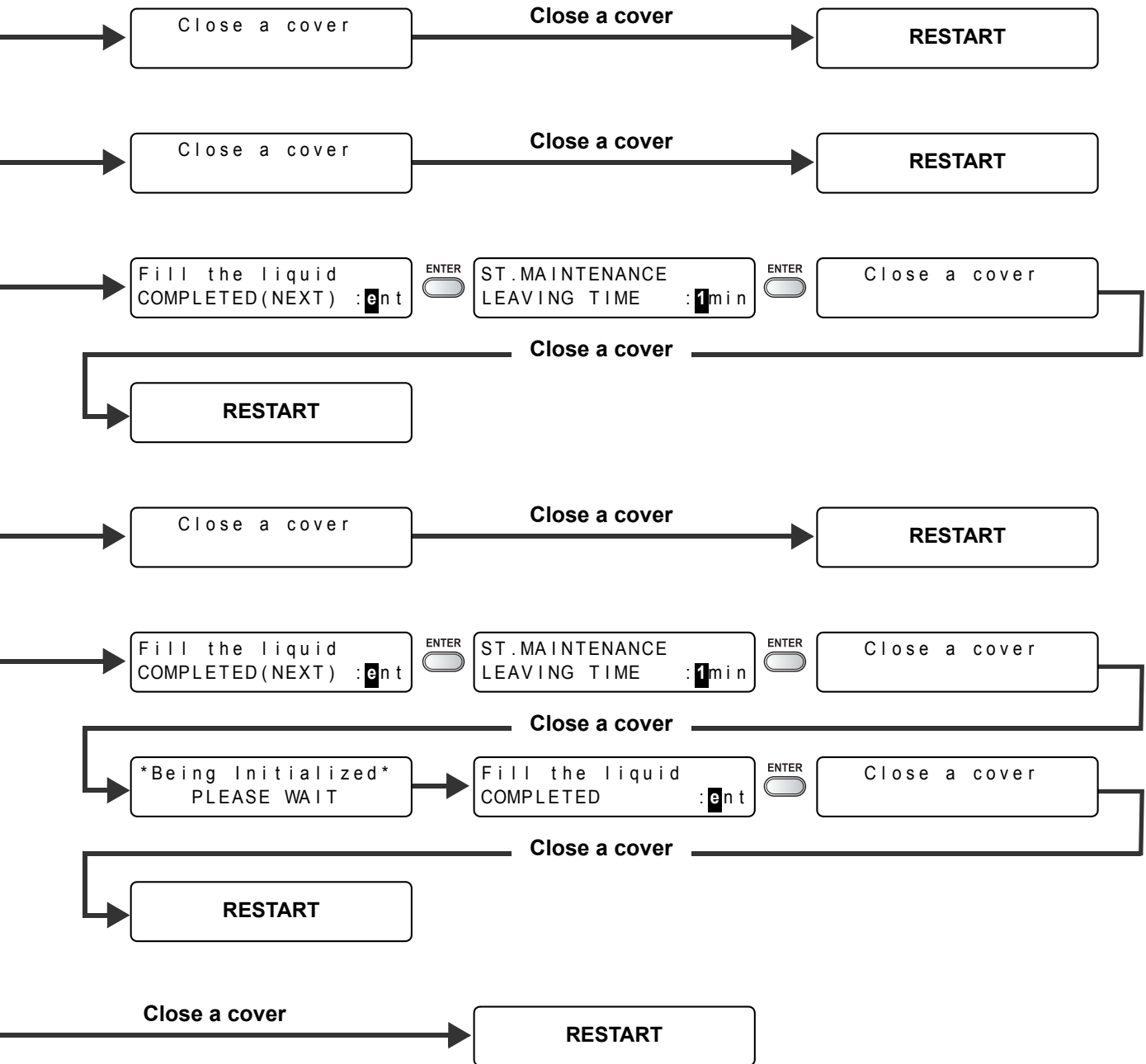


From P7-16









From P7-20

MAINTENANCE  
HD.MAINTENANCE <ent>



HD.MAINTENANCE  
FILL UP INK <ent>



FILLING UP NOW.  
00:00



HD.MAINTENANCE  
DISCHARGE&WASH <ent>



Remove:InkCartridges  
MMCC YYKK



HD.MAINTENANCE  
MaintWashLiquid<ent>



MaintWashLiquid  
FILLING UP <ent>



MaintWashLiquid  
DISCHARGE <ent>



MaintWashLiquid  
DISCHARGE <ent>



MAINTENANCE  
DROP POSITION <ent>



DROP POSITION  
PRINT START :ent



PRINTING  
PLEASE WAIT



MAINTENANCE  
SLEEP SETUP <ent>



SLEEP SETUP  
REFRESH <ent>



SLEEP SETUP  
REFRESHinterval= 1h  
OFF / 1 ~ 168 h



SLEEP SETUP  
PUMP TUBE WASH <ent>



SLEEP SETUP  
WASH INTERVAL = 4h  
OFF / 1 ~ 168 h

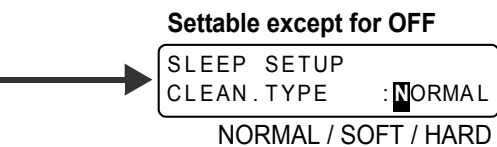
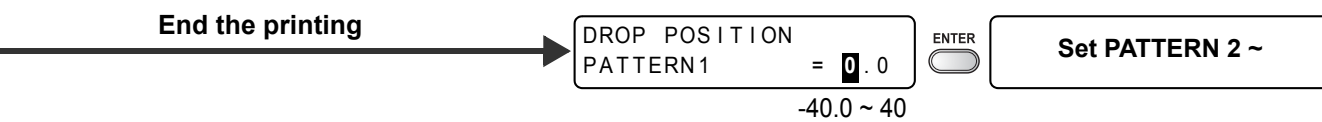
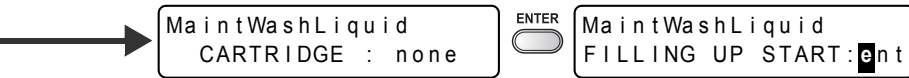
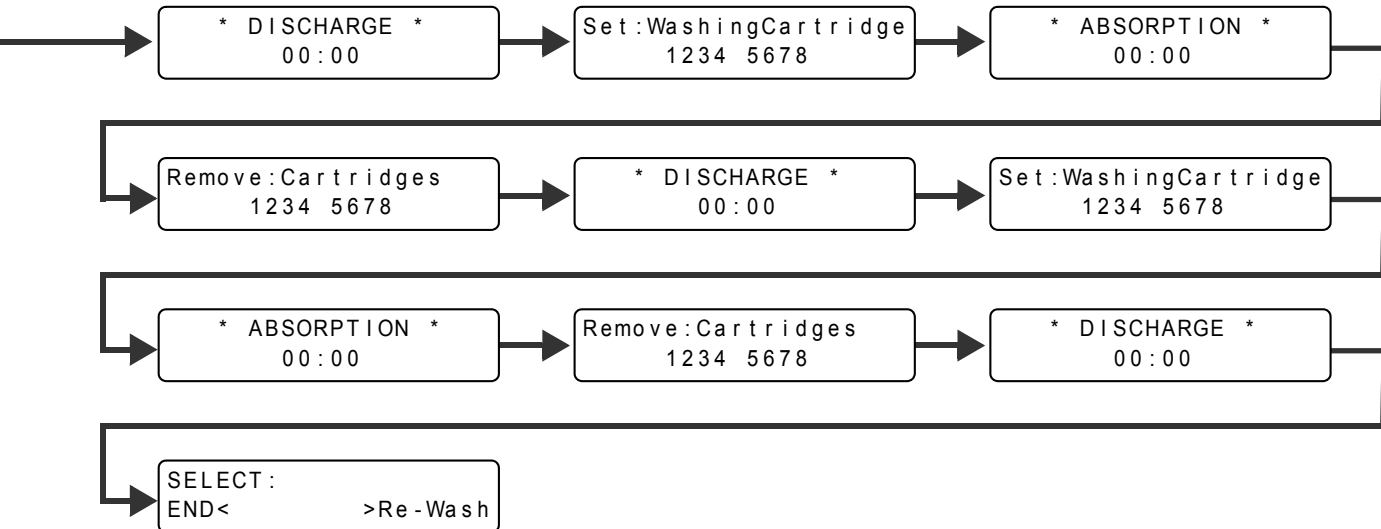
SLEEP SETUP  
CLEANING <ent>



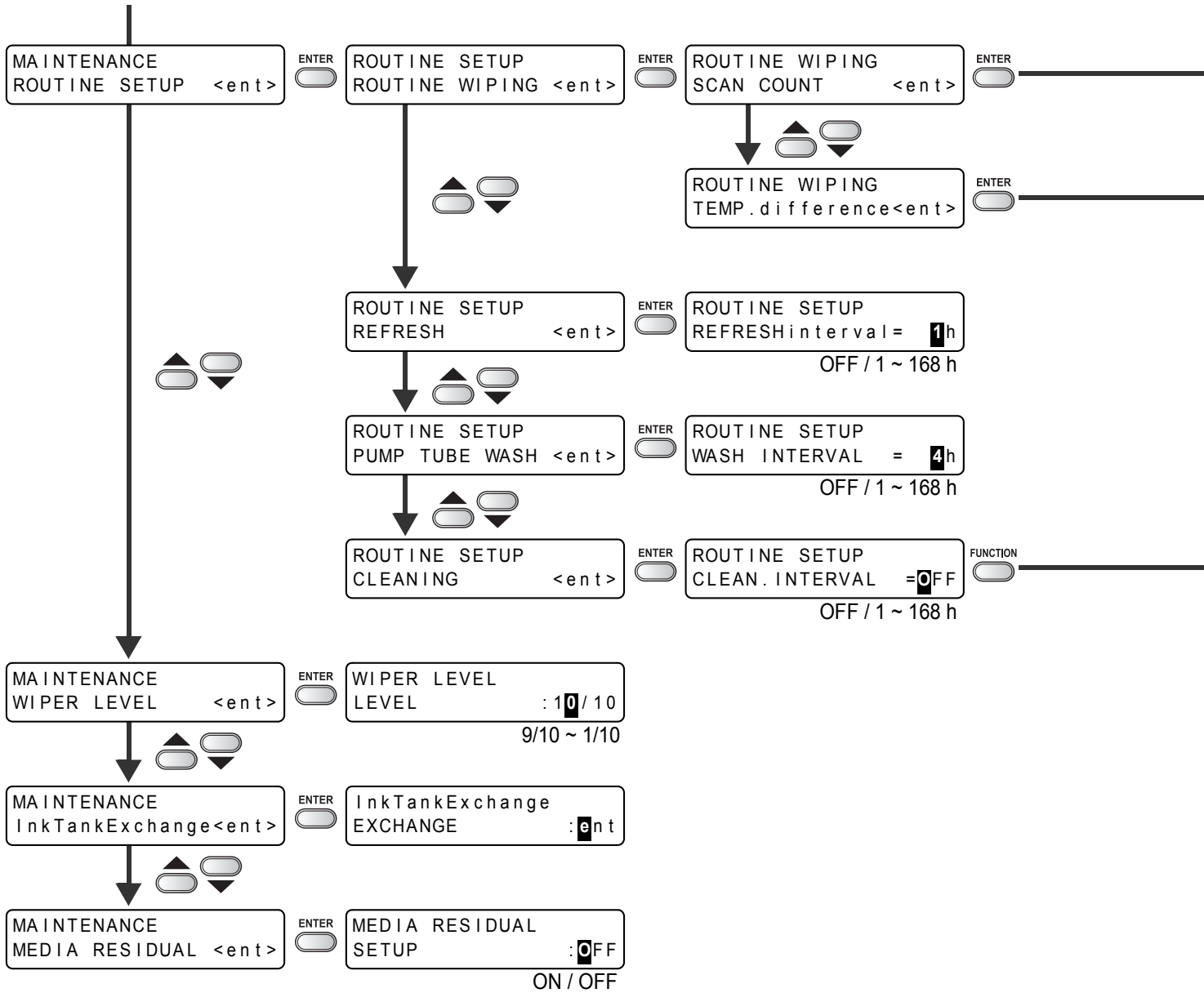
SLEEP SETUP  
CLEAN. INTERVAL = OFF  
OFF / 1 ~ 168 h



To P7-24



From P7-22

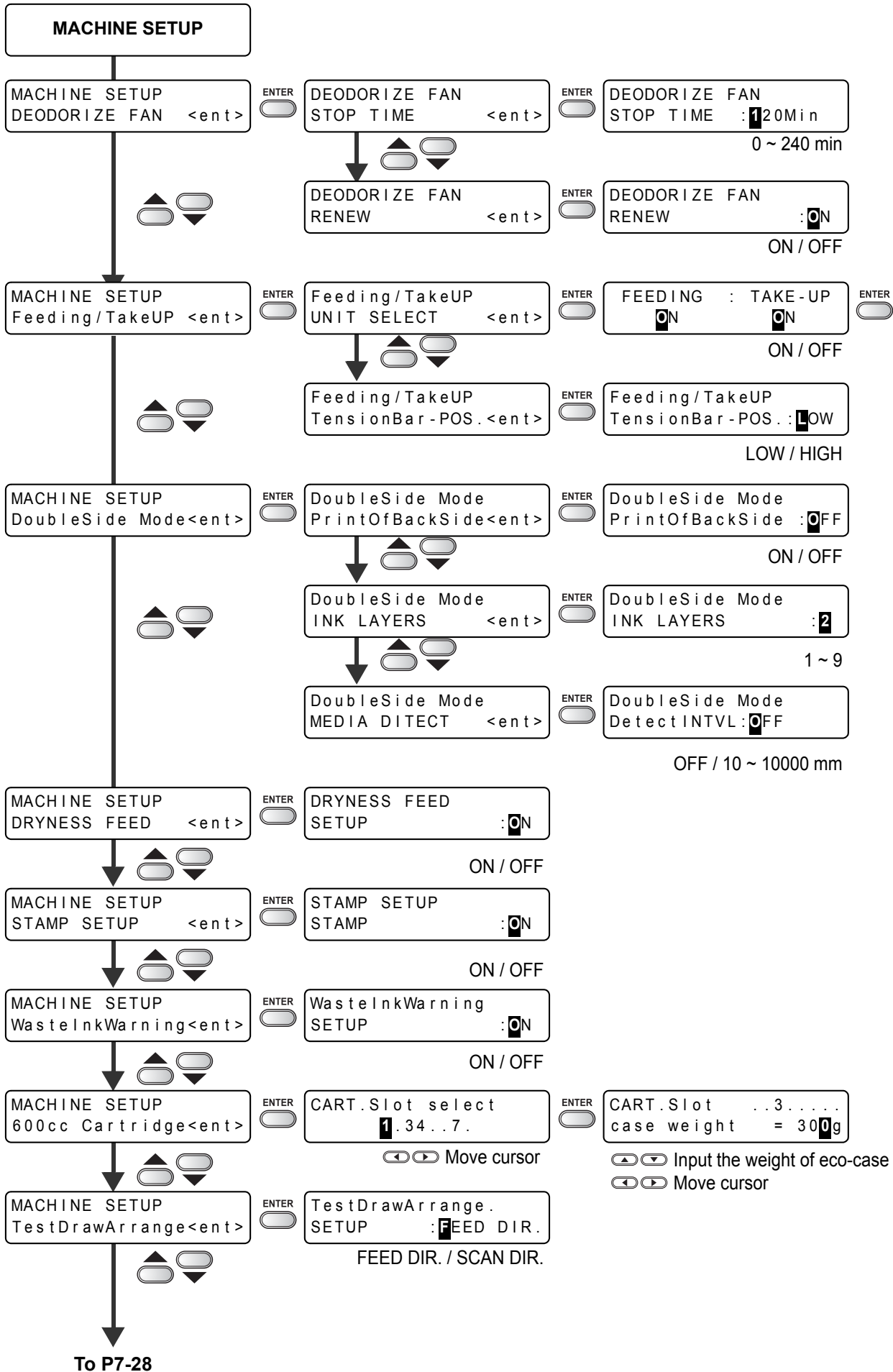




ROUTINE WIPING  
SCAN COUNT = 50

ROUTINE WIPING  
TEMP. Difference = 20 °C

**Settable except for OFF**  
ROUTINE SETUP  
CLEAN . TYPE : NORMAL  
NORMAL / SOFT / HARD





From P7-26

