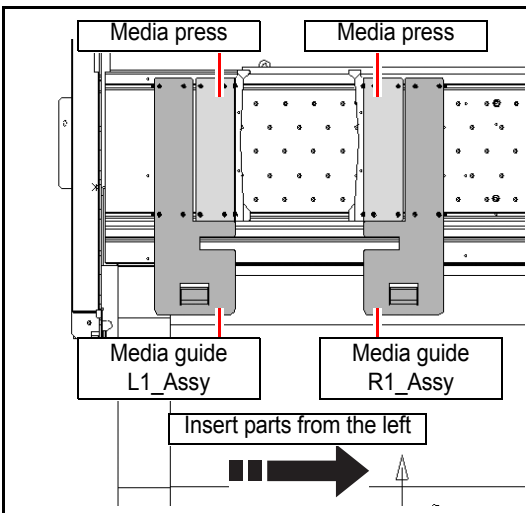
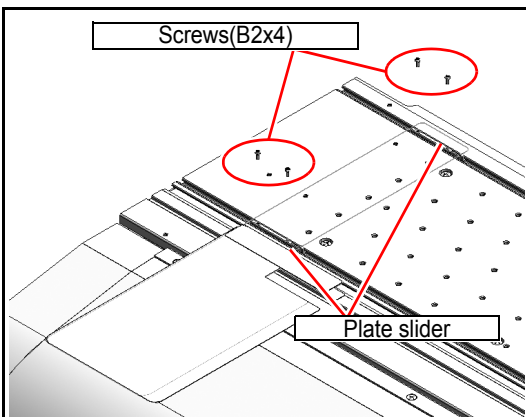


Manual for attaching of Media guide for long media

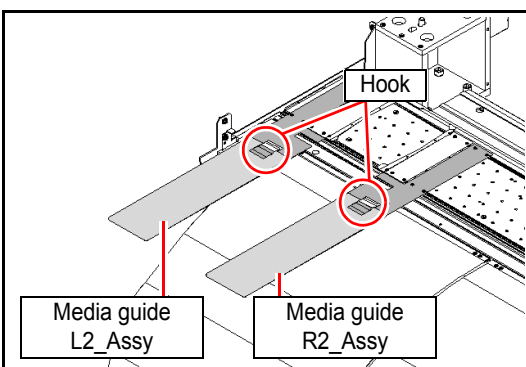


1. Attach the media guide R1_Assy/media guide L1_Assy in the following order:

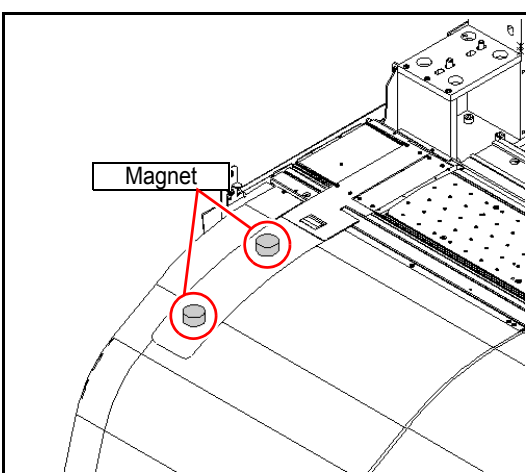
- (1) Media guide R1_Assy
- (2) Media press
- (3) Media press
- (4) Media guide L1_Assy



Fix the media guide with the plate slider and the screw (B2x4 x 8) in the platen flute (same as the media press.)



2. Attach the media guide R2_Assy/media guide L2_Assy on the hook part of the media guide R1_Assy/L1_Assy.



3. After attaching the media guide, affix it along the surface of the A heater with the magnet provided.