

# Care and Maintenance

**UV INKJET PRINTER**

***UCJV300 Series***

***UCJV150 Series***

**Requests for Care and Maintenance**

You can also download the latest manual from official website.

**MIMAKI ENGINEERING CO., LTD.**

<https://mimaki.com/>

D203178-28

Original instructions

# TABLE OF CONTENTS

---

Introduction .....	3
To Ensure Safe Use .....	4
Symbols .....	4

## Maintenance

1. Maintenance Precautions .....	6
2. Maintenance Methods .....	7
Maintenance Items and Timing .....	7
Ink Maintenance .....	8
Wiper Cleaning .....	8
Cap Rubber Cleaning .....	10
NCU Cleaning .....	11
Carriage Underside Cleaning .....	12
Cleaning the Mist Filter .....	13
Ink Discharge Channel Cleaning .....	14
Media Sensor Cleaning .....	15
Media Holder Cleaning .....	16
Jam Sensor Cleaning .....	16
Platen Cleaning .....	17
Cover (Exterior) Cleaning .....	18
When this printer is left unused for a long time.....	18
3. Consumable Item Replacement .....	21
Wiper Replacement .....	21
Cap Absorber Replacement .....	22
Mist Filter Replacement .....	23
LED Glass Replacement .....	24
Exhaust Fan Filter Replacement .....	25
Pinch Roller Replacement .....	26
Media Holder Replacement .....	27
Media Cutter Replacement .....	29
Waste Ink Tank Replacement.....	30
About the Media Cutter .....	33
Pen Line Replacement .....	34

# Introduction

Thank you for purchasing the UV-LED curable inkjet printer UCJV300 Series, 150 Series.

Read the care and maintenance ("this document" hereinafter) thoroughly and make sure you understand its contents to ensure safe and correct use of the product.

Please note that the illustrations contained in this manual are intended to show functions, procedures, or operations and may sometimes differ slightly from the actual machine.

Unauthorized reproduction of any portion of this document is strictly prohibited.

© 2017 MIMAKI ENGINEERING Co., Ltd.










## ● DISCLAIMERS

- MIMAKI ENGINEERING REJECTS ALL LIABILITY FOR DAMAGE ARISING DIRECTLY OR INDIRECTLY FROM THE USE OF THE UCJV300 Series, 150 Series ("THIS MACHINE" HEREINAFTER), WHETHER OR NOT THE PRODUCT IS FAULTY.
- MIMAKI ENGINEERING REJECTS ALL LIABILITY FOR DAMAGE, DIRECT OR INDIRECT, TO MATERIALS CREATED WHILE USING THIS MACHINE.
- USING THIS MACHINE IN CONJUNCTION WITH DEVICES OTHER THAN THOSE RECOMMENDED BY MIMAKI ENGINEERING MAY RESULT IN FIRE OR ACCIDENTS. SUCH INCIDENTS ARE NOT COVERED BY THE PRODUCT WARRANTY. MIMAKI ENGINEERING REJECTS ALL LIABILITY FOR DAMAGE, DIRECT OR INDIRECT, ARISING FROM SUCH INCIDENTS.
- USE ONLY GENUINE MIMAKI ENGINEERING INK AND MAINTENANCE LIQUID. USE OF OTHER PRODUCTS MAY RESULT IN FAILURES OR REDUCE PRINT QUALITY. SUCH INCIDENTS ARE NOT COVERED BY THE PRODUCT WARRANTY. MIMAKI ENGINEERING REJECTS ALL LIABILITY FOR DAMAGE, DIRECT OR INDIRECT, ARISING FROM SUCH INCIDENTS.
- DO NOT ATTEMPT TO REFILL THE INK BOTTLES WITH UNAUTHORIZED INK. SUCH INCIDENTS ARE NOT COVERED BY THE PRODUCT WARRANTY. MIMAKI ENGINEERING REJECTS ALL LIABILITY FOR DAMAGES, DIRECT OR INDIRECT, ARISING FROM SUCH INCIDENTS.
- USE ONLY GENUINE MIMAKI ENGINEERING ANTI FREEZING LIQUID. USE OF OTHER ANTI FREEZING LIQUID MAY CAUSE FAILURES OR REDUCE PRINT QUALITY. SUCH INCIDENTS ARE NOT COVERED BY THE PRODUCT WARRANTY. MIMAKI ENGINEERING REJECTS ALL LIABILITY FOR DAMAGES, DIRECT OR INDIRECT, ARISING FROM SUCH INCIDENTS.
- AVOID USING UV-LED UNITS OR UV POWER SUPPLY UNITS OTHER THAN THOSE SPECIFIED BY MIMAKI ENGINEERING. USING DEVICES OTHER THAN GENUINE MIMAKI ENGINEERING DEVICES MAY RESULT IN FAILURE, ELECTRIC SHOCK, OR FIRE. SUCH INCIDENTS ARE NOT COVERED BY THE PRODUCT WARRANTY. MIMAKI ENGINEERING REJECTS ALL LIABILITY FOR DAMAGES, DIRECT OR INDIRECT, ARISING FROM SUCH INCIDENTS.

# To Ensure Safe Use

## Symbols

In this manual, the symbols indicate and explain precautions. Make sure you fully understand the meaning of each symbol and use the machine safely and correctly.

Explanation		
 <b>WARNING</b>	Warning	Indicates a potential hazard that may result in death or serious injury if handled improperly or if instructions are disregarded.
 <b>CAUTION</b>	Caution	Indicates a potential hazard that may result in minor or moderate injury if handled improperly or if instructions are disregarded.
 <b>NOTICE</b>	Notice	Indicates a potential hazard that may result in property damage if handled improperly or if instructions are disregarded.
	Warning sign	Indicates something that requires attention. Warning specifics are drawn inside the symbol.
	Mandatory action sign	Indicates an action that must be carried out. The specifics of the mandatory action are drawn inside the symbol.
	Prohibition sign	Indicates a prohibited action. The specifics of the prohibited action are drawn inside the symbol.
 <b>Important!</b>	Important	Indicates important information related to use of this machine.
	Tip	Indicates useful reference information.
	Reference information	Indicates the corresponding page for related information.

# Maintenance

To ensure years of precise performance, maintain the machine periodically based on frequency of use. Read the maintenance precautions thoroughly before maintaining this product.

# 1. Maintenance Precautions



- This machine includes parts that must be replaced periodically. We therefore recommend taking out a maintenance contract. Carry out maintenance periodically and replace consumable items to prevent quality defects and accidents.

## ⚠ WARNING



- Clean periodically. Debris and dust will accumulate on electrical components when the machine is used for extended periods. There is a risk of failure, electric shock, or fire due to current leakage.
- Do not clean by blowing—e.g., avoid using air blowers. Doing so may lead to failure, electric shock, or fire involving the machine if airborne debris or dust gets inside electrical components. Wipe using a soft cloth soaked in diluted neutral detergent and thoroughly wrung out. A vacuum cleaner may also be used for cleaning.



- Do not allow liquids to get inside the machine. Otherwise there is a risk of failure, electric shock, or fire.

## ⚠ CAUTION



- The UV-LED unit becomes extremely hot. Be careful not to touch the LED after it has been turned off until it has sufficiently cooled.



- For heavy soiling, wipe using a soft cloth soaked in diluted neutral detergent and thoroughly wrung out.



- Pay close attention to ventilation and be sure to wear safety glasses, gloves, and a mask when handling ink, maintenance liquid, waste ink, or other solutions used with the machine. Leaking ink may adhere to the skin or get into the eyes or mouth.



## NOTICE



- Never touch the print head nozzle surface. Do not allow water or alcohol to come into contact with the print nozzle surface. This will increase the risk of machine failure or ejection failures (e.g., nozzle clogging or deflection).
- Do not use cotton swabs to clean around the head or carriage. Fibers from cotton swabs may adhere to the head nozzle surface and lead to ejection failures (e.g., nozzle clogging or deflection).
- Do not splash ink or maintenance liquid on the covers. Exposure to splashing ink or maintenance liquid may damage or deform the cover.
- Do not use benzine, thinner, or any chemical agent containing abrasives. Use of these chemicals may result in damage to or deformation of parts.
- Do not move the carriage by hand. To move the carriage, use the carriage out function on the menu.

## 2. Maintenance Methods

### Maintenance Items and Timing

UCJV300/150

Timing	Item
At the end of the work day	Clean the wiper and wiper bracket. <a href="#">"Wiper Cleaning"(P. 8)</a>
	Clean the wiper cleaner. <a href="#">"Wiper Cleaning"(P. 8)</a>
	Clean the cap rubber. <a href="#">"Cap Rubber Cleaning"(P. 10)</a>
	Clean the NCU. <a href="#">"NCU Cleaning"(P. 11)</a>
	Clean the underside of the UV- LED lamp. <a href="#">"Carriage Underside Cleaning"(P. 12)</a>
	Clean the underside of the carriage. <a href="#">"Carriage Underside Cleaning"(P. 12)</a>
	Mist filter 1 Soak up ink with a paper towel. <a href="#">"Cleaning the Mist Filter"(P. 13)</a>
	Clean the media sensor. <a href="#">"Media Sensor Cleaning"(P. 15)</a>
	Clean the media holder. <a href="#">"Media Holder Cleaning"(P. 16)</a>
	Clean the jam sensor. <a href="#">"Jam Sensor Cleaning"(P. 16)</a>
At the end of the week's work	Ink pad in the waste ink holder under the wiper Soak up ink with a paper towel. <a href="#">"Wiper Cleaning"(P. 8)</a>
	Mist filter 2 Soak up ink with a paper towel. <a href="#">"Cleaning the Mist Filter"(P. 13)</a>
	Clean the ink discharge channel. <a href="#">"Ink Discharge Channel Cleaning"(P. 14)</a>
	Clean the platen. <a href="#">"Platen Cleaning"(P. 17)</a>
	Clean the cover (exterior). <a href="#">"Cover (Exterior) Cleaning"(P. 18)</a>
	Check the waste ink levels in the waste ink tank.
When noticeably dirty	Replace with new exhaust fan filter. <a href="#">"Exhaust Fan Filter Replacement"(P. 25)</a>
	Replace the exhaust fan box.
When not used for more than a week	Clean the wiper and cap and wash the ink discharge channels. After cleaning, store without turning off the main power supply. <a href="#">"When this printer is left unused for a long time"(P. 18)</a>
Periodically	Shake the Ink bottle. <a href="#">"Ink Maintenance"(P. 8)</a>

### Items Required for Maintenance

To order replacement consumable items, contact your local dealer or our service office. For more information on consumable items, refer to our website (<https://mimaki.com/supply/inkjet.html>).



- Avoid storing this product in locations accessible to children.

### Ink Maintenance

If ink constituents are sedimented, the ink density may become uneven. We recommend shaking the Ink bottle periodically to keep printing consistent.

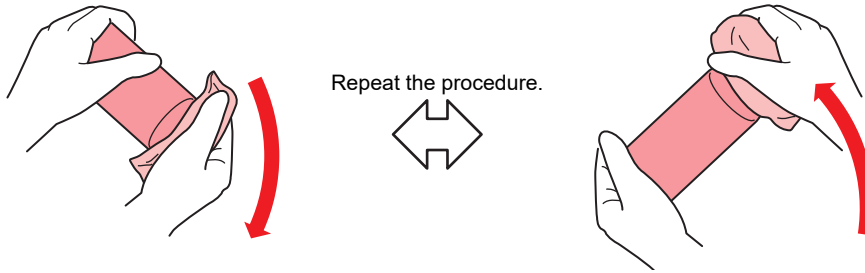
UV ink: once a month.

White ink: once a day.

#### ● Shaking the Ink bottle

##### 1 Shake the Ink bottle to the left and right slowly at least 20 times.

- Tighten the ink bottle lid securely, then shake the bottle slowly from left to right to ensure that the ink moves inside, holding the ink bottle lid with a paper towel.



- Shake slowly. If the bottle is shaken too violently, ink may leak out or the air mixed in the ink may cause nozzle clogging.
- If the ink bottle is partially used, tilt it slowly until the ink bottle is upright.

### Wiper Cleaning

The wiper wipes off ink adhering to the print head nozzle surface. Continuing to use the dirty wiper may cause the wiper to which dried ink and dust are attached to rub against the nozzle surface, leading to printing defects (e.g., nozzle clogging or deflection).



- Be careful to avoid leaving fragments from the cleaning stick behind when cleaning. These fragments will increase the risk of ejection failures (e.g., nozzle clogging or deflection).

##### 1 On the LOCAL mode screen, select [MENU] > [Maintenance], then press the [ENTER] key.

- The Maintenance menu is displayed.

##### 2 Select [Station] > [Carriage Out] > [Station Maint.], then press the [ENTER] key.

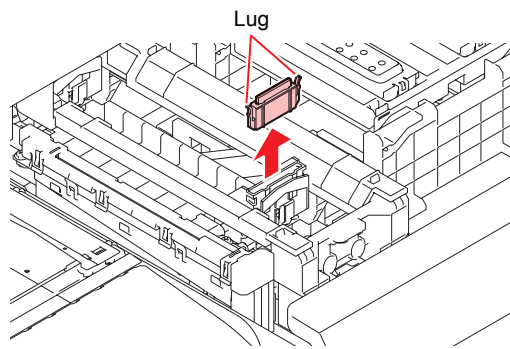
- The carriage moves over the platen.

##### 3 Open the front cover.



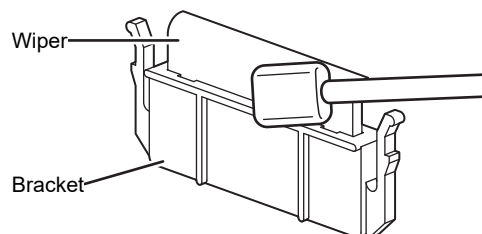
## 4 Detach the wiper.

- Pull out the wiper by holding the protrusions at both ends of the wiper bracket.



## 5 Clean the wiper and bracket.

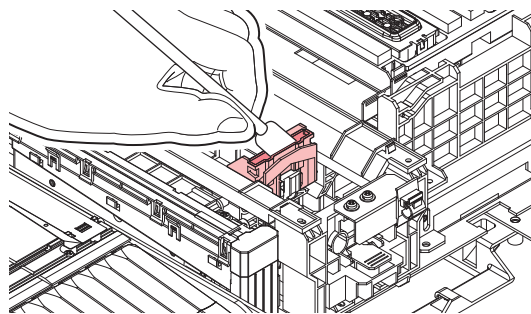
- Wipe off any ink and dust adhering using a cleaning stick moistened with maintenance liquid. Wipe off the maintenance liquid. Make sure none remains.



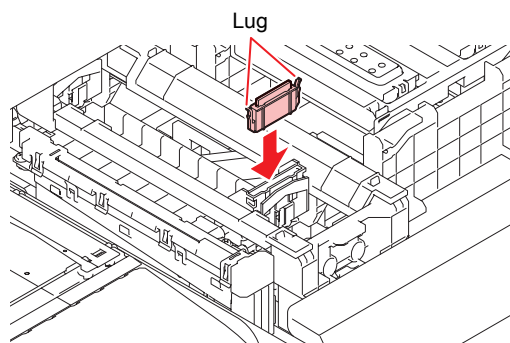
- Replace dirty or warped wipers with new ones. (👉 ["Wiper Replacement"\(P. 21\)](#))

## 6 Clean the wiper slider.

- Wipe off any ink and dust adhering using a cleaning stick moistened with maintenance liquid. Wipe off the maintenance liquid. Make sure none remains.

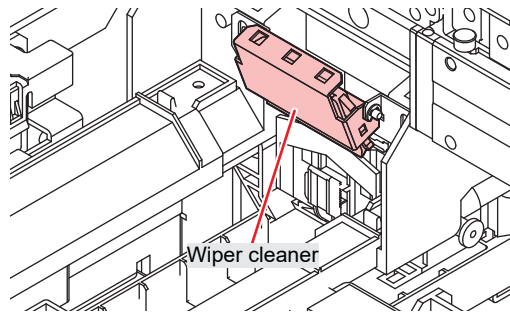


## 7 Mount the wiper at the original position.



## 8 Clean the wiper cleaner.

- Wipe off any ink and dust adhering using a cleaning stick moistened with maintenance liquid. Wipe off the maintenance liquid. Make sure none remains.



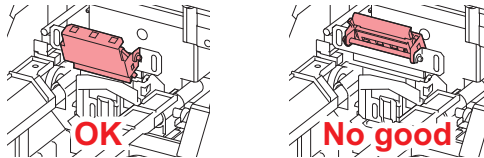
- Only clean the front side of the wiper cleaner. There is no need to clean the backside.



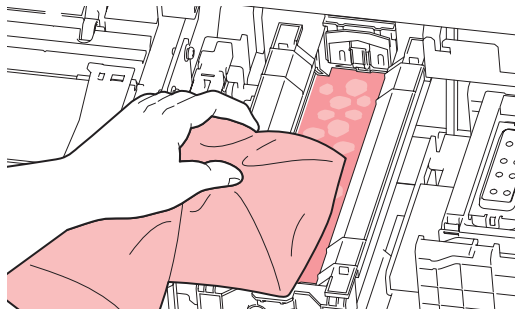
- Do not remove the wiper cleaner from the bracket.



- After cleaning is completed, check to confirm that the wiper cleaner is not facing up.



- Soak up ink in the waste ink holder with a paper towel once a week. Doing so may result in leaking ink.



- Do not remove the absorbent material in the absorbent material case. Doing so may result in leaking ink.

## 9 Once cleaning is complete, close the cover, then press the [ENTER] key.

### Cap Rubber Cleaning

The cap prevents the print head nozzle surface from drying out. Continuing to use a dirty cap may affect ink take-up and lead to print defects (e.g., nozzle clogging, deflection).



- Be careful to avoid leaving fragments from the cleaning stick behind when cleaning. These fragments will increase the risk of ejection failures (e.g., nozzle clogging or deflection).

## 1 On the LOCAL mode screen, select [MENU] > [Maintenance], then press the [ENTER] key.

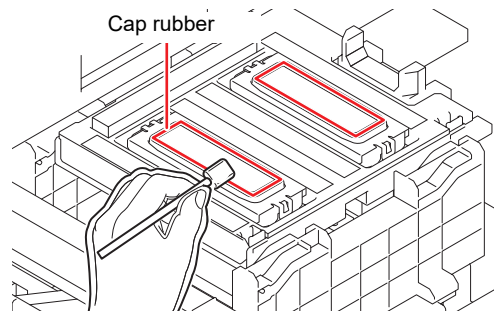
- The Maintenance menu is displayed.

**2** Select [Station] > [Carriage Out] > [Station Maint.], then press the [ENTER] key.

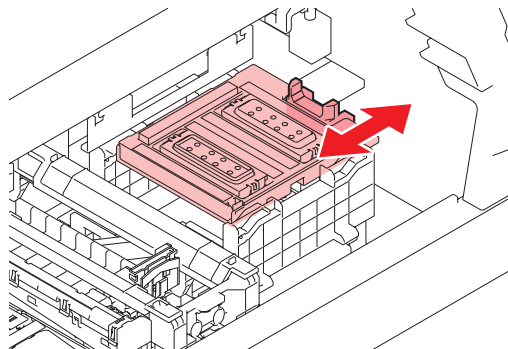
- The carriage moves over the platen.

**3** Open the front cover.**4** Clean the cap rubber.

- Wipe off any ink and dust adhering using a cleaning stick moistened with maintenance liquid. Wipe off the maintenance liquid. Make sure none remains.

**5** Check to confirm that the cap slider is not tilted once cleaning is complete.

- If the cap slider is tilted, move the slider block to the left or right to correct the tilt.

**6** Close the front cover, then press the [ENTER] key.

## NCU Cleaning

The NCU uses a sensor to monitor the ink droplets ejected from the print head nozzles. Continuing to use the dirty NCU may prevent the nozzle check function from operating correctly.



- Be careful to avoid leaving fragments from the cleaning stick behind when cleaning. These fragments will increase the risk of ejection failures (e.g., nozzle clogging or deflection).

**1** On the LOCAL mode screen, select [MENU] > [Maintenance], then press the [ENTER] key.

- The Maintenance menu is displayed.

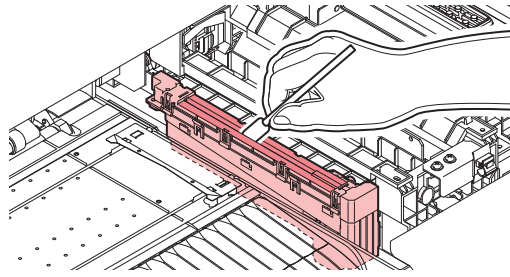
**2** Select [Station] > [Carriage Out] > [Station Maint.], then press the [ENTER] key.

- The carriage moves over the platen.

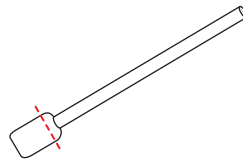
**3** Open the front cover.

### 4 Clean the NCU.

- Wipe off any ink and dust adhering using a cleaning stick moistened with maintenance liquid. Wipe off the maintenance liquid. Make sure none remains.



- Insert the cleaning stick as far as the line shown in the illustration.



### 5 Once cleaning is complete, close the cover, then press the [ENTER] key.

## Carriage Underside Cleaning

The underside of the carriage becomes coated with ink wiped off by the wiper. Continuing to use the dirty carriage underside will rub dried ink and attached dust on to the media, resulting in contaminated prints.

The print head uses an extremely delicate mechanism. Take great care when handling it.



- Be careful to avoid leaving fragments from the cleaning stick behind when cleaning. These fragments will increase the risk of ejection failures (e.g., nozzle clogging or deflection).

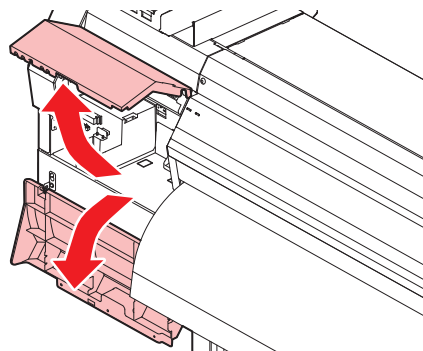
### 1 On the LOCAL mode screen, select [MENU] > [Maintenance], then press the [ENTER] key.

- The Maintenance menu is displayed.

### 2 Select [Station] > [Carriage Out] > [Head Maint.], then press the [ENTER] key.

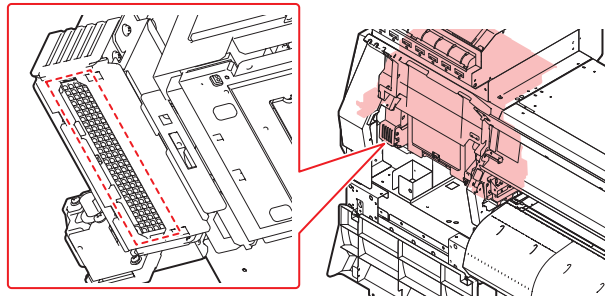
- The carriage moves to the maintenance space.

### 3 Open the maintenance covers.



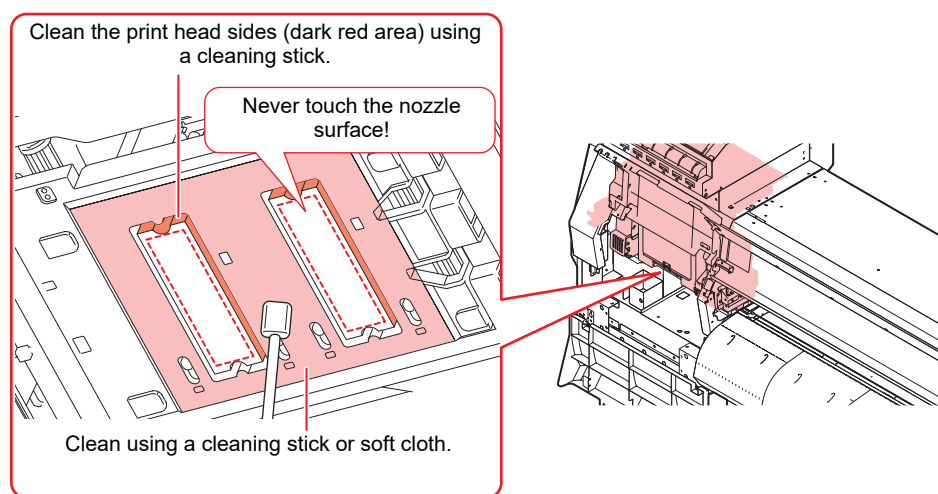
#### 4 Clean the UV-LED lamp.

- Wipe off any adhering ink using a cleaning stick moistened with maintenance liquid. Wipe off the maintenance liquid. Make sure none remains.



#### 5 Clean around the print head.

- Wipe off any ink and dust adhering using a cleaning stick moistened with maintenance liquid. Wipe off the maintenance liquid. Make sure none remains.

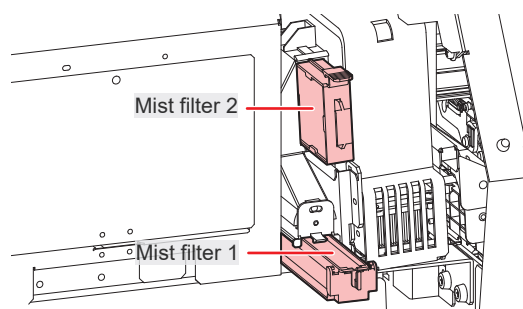


- Never touch the print head nozzle surface.

#### 6 Once cleaning is complete, close the cover, then press the [ENTER] key.

### Cleaning the Mist Filter

The mist filter absorbs the mist generated when ink droplets are discharged from the print head. Continuing to use it when it is dirty will result in contaminated prints.



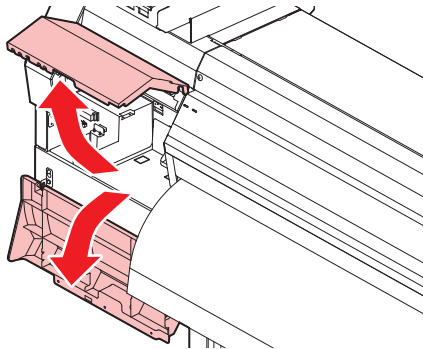
#### 1 On the LOCAL mode screen, select [MENU] > [Maintenance], then press the [ENTER] key.

- The Maintenance menu is displayed.

### 2 Select [Station] > [Carriage Out] > [Head Maint.], then press the [ENTER] key.

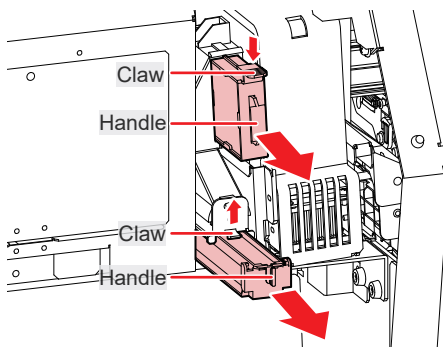
- The carriage moves to the maintenance space.

### 3 Open the maintenance covers.



### 4 Remove the mist filter.

- To remove the mist filter, pull the knob to the front while pushing the tabs in the direction indicated by the arrows.



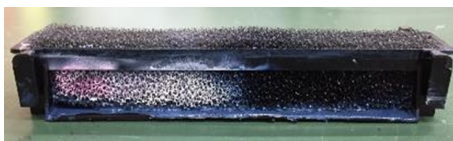
### 5 Clean the filter.

- Remove the filter and press down on it with a paper towel to remove the dirt.
- Wipe off the dirt adhering to the filter case.



- Replace the mist filter if it gets very dirty—for example, due to liquefaction of ink adhering to the filter.

 ["Mist Filter Replacement"\(P. 23\)](#)



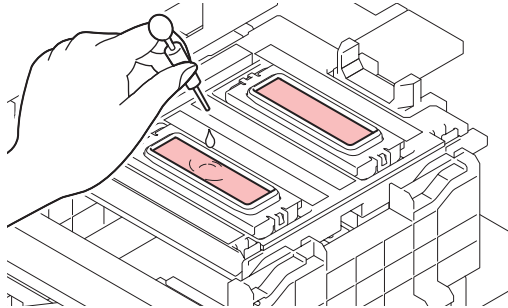
### 6 Mount the mist filter in its original position.

### 7 Once cleaning is complete, close the cover, then press the [ENTER] key.

## Ink Discharge Channel Cleaning

Clean the ink discharge channel regularly to prevent clogging of the ink discharge channel below the cap.

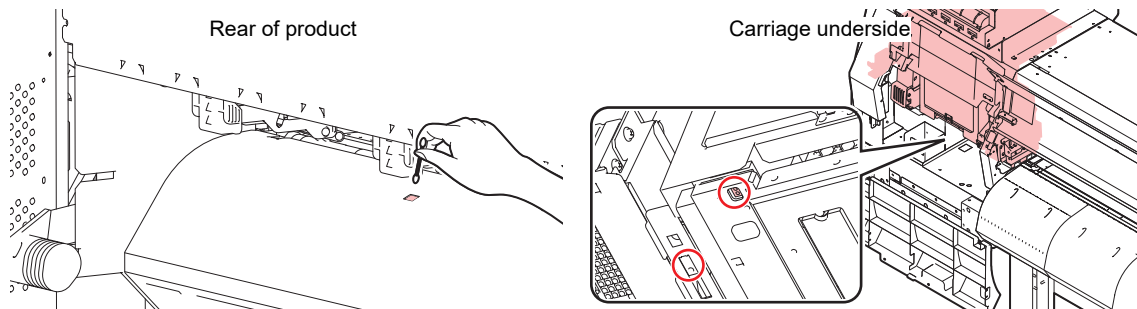
- 1** On the LOCAL mode screen, select [MENU] > [Maintenance], then press the [ENTER] key.
  - The Maintenance menu is displayed.
- 2** Select [Station Maint.] > [Pump tube cleaning], then press the [ENTER] key.
  - The carriage moves over the platen.
  - "Fill the Liquid. Exit Next [ENT]" appears on the display.
- 3** Open the front cover.
- 4** Fill the cap with maintenance liquid.
  - Use a syringe to draw up some maintenance liquid and fill until it almost overflows from the cap.



- 5** Close the front cover, then press the [ENTER] key.
  - Pump tube (ink discharge channel below the cap) washing starts.

## Media Sensor Cleaning

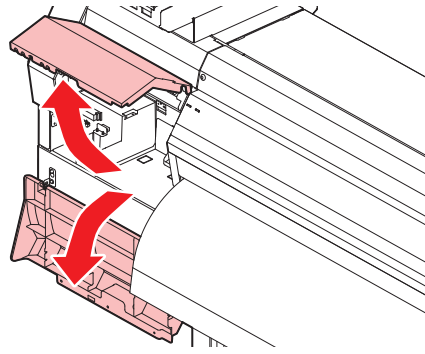
Media sensors are located on the rear cover and carriage underside. The media cannot be detected correctly if dust or debris accumulates on the sensors. Remove any debris using cotton swabs or a soft cloth.



### ● Cleaning the carriage underside sensor

- 1** On the LOCAL mode screen, select [MENU] > [Maintenance], then press the [ENTER] key.
  - The Maintenance menu is displayed.
- 2** Select [Station] > [Carriage Out] > [Head Maint.], then press the [ENTER] key.
  - The carriage moves to the maintenance space.

### 3 Open the maintenance covers.



### 4 Clean the media sensor.

### 5 Once cleaning is complete, close the cover, then press the [ENTER] key.

## Media Holder Cleaning

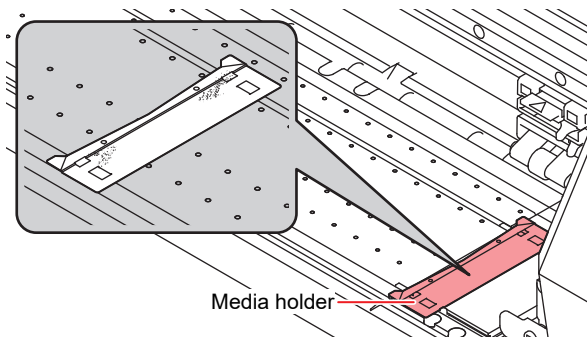


- Turn off the main power supply and unplug the power cable before carrying out maintenance.



- Do not allow liquids to get inside the machine. Otherwise there is a risk of failure, electric shock, or fire.

Continuing to use the dirty platen will prevent proper feeding of the media. It will also cause dried ink and attached dust to rub against the head nozzle surface and lead to ejection failures (e.g., nozzle clogging or deflection).



- For heavy soiling, wipe using a soft cloth soaked in diluted neutral detergent and thoroughly wrung out.

## Jam Sensor Cleaning

A jam sensor unit is located on the side of the UV-LED unit on the right of the carriage. Ink or dust buildup on the sensor unit may cause media jams. Clean using a paper towel.

### 1 On the LOCAL mode screen, select [MENU] > [Maintenance], then press the [ENTER] key.

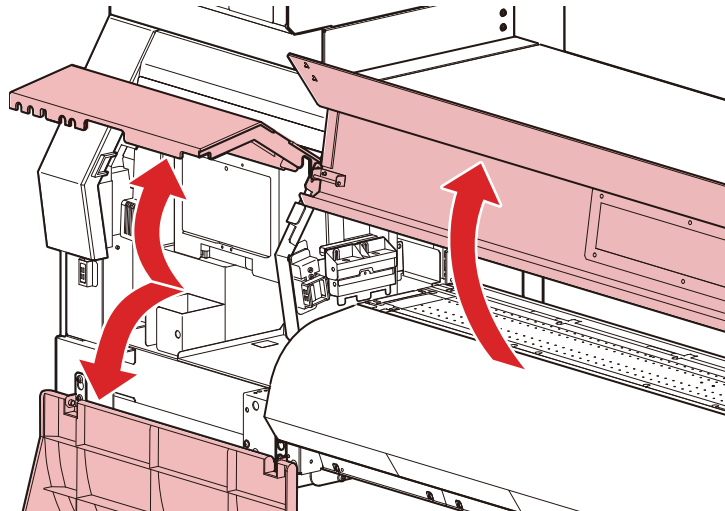
- The Maintenance menu is displayed.

### 2 Select [Station] > [Carriage Out] > [Head Maint.], then press the [ENTER] key.

- The carriage moves to the maintenance space.

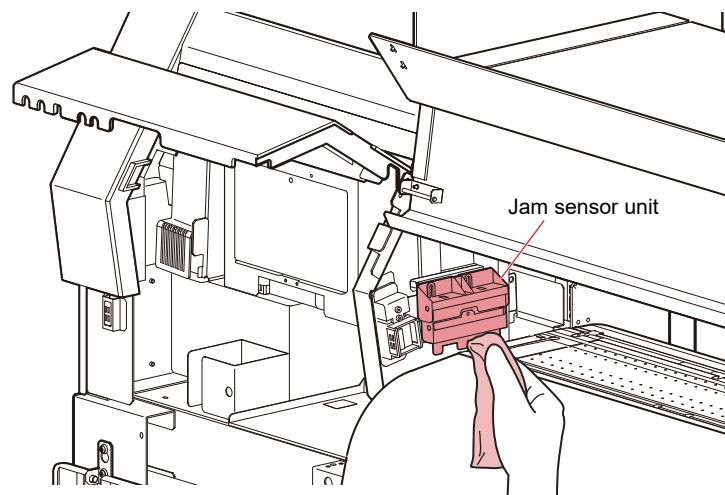


### 3 Open the front cover and maintenance covers.



### 4 Clean the jam sensor unit.

- In particular, clean underneath the jam sensor, from both the front cover and maintenance cover sides.
- Wipe off any ink and dust adhering using a paper towel moistened with maintenance liquid. Wipe away any remaining maintenance liquid after cleaning.



### 5 Once cleaning is complete, close the cover, then press the [ENTER] key.

## Platen Cleaning

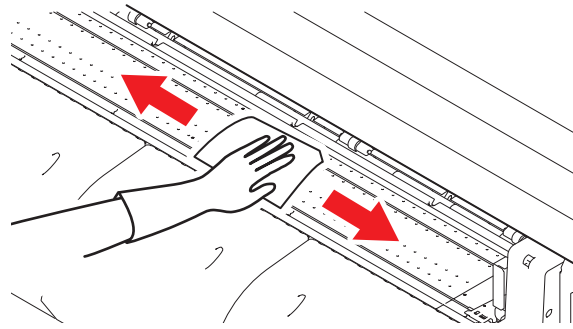


- Turn off the main power supply and unplug the power cable before carrying out maintenance.



- Do not allow liquids to get inside the machine. Otherwise there is a risk of failure, electric shock, or fire.

Continuing to use the dirty platen will prevent proper feeding of the media. It will also cause dried ink and attached dust to rub against the head nozzle surface and lead to ejection failures (e.g., nozzle clogging or deflection).



- The grooves in which the media holder slides and the media is cut are susceptible to dust accumulation. Remove any debris carefully.

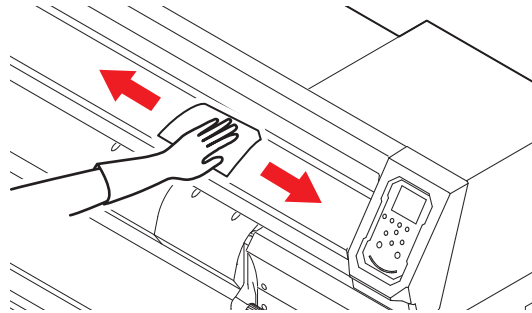


- For heavy soiling, wipe using a soft cloth soaked in diluted neutral detergent and thoroughly wrung out.

### Cover (Exterior) Cleaning



- Do not allow liquids to get inside the machine. Otherwise there is a risk of failure, electric shock, or fire.



- For heavy soiling, wipe using a soft cloth soaked in diluted neutral detergent and thoroughly wrung out.

### When this printer is left unused for a long time

Clean as follows if the product is not used for one week or longer:

#### Check beforehand

Is [Near End] or [Ink End] displayed?

- Maintenance liquid and ink is aspirated during the washing operation. Washing is not possible if an error occurs during this process. Replace with new ink.

- 1** On the LOCAL mode screen, select [MENU] > [Maintenance], then press the [ENTER] key.
  - The Maintenance menu is displayed.
- 2** Select [Station Maint.] > [Custody Wash], then press the [ENTER] key.
  - The carriage moves over the platen.

**3** Open the front cover.

**4** Clean the wiper and bracket.

-  "Wiper Cleaning"(P. 8)

**5** Press the [ENTER] key once cleaning is complete.

- "Cap Cleaning Completed (Next) [ENT]" appears on the display.

**6** Clean the cap rubber.

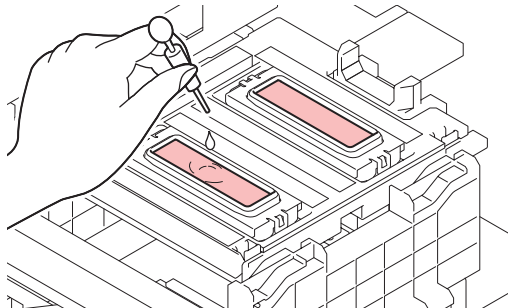
-  "Cap Rubber Cleaning"(P. 10)

**7** Once cleaning is complete, close the cover, then press the [ENTER] key.

- "Fill the Liquid. Exit Next [ENT]" appears on the display.

**8** Fill the cap with maintenance liquid.

- Use a syringe to draw up some maintenance liquid and fill until it almost overflows from the cap.



**9** Press   to enter the leaving time. (Supported from firmware version 3.2 onward)

- The recommended leaving time is 1 minute.

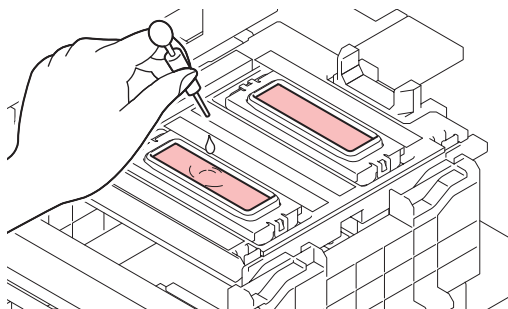
**10** Close the front cover, then press the [ENTER] key.

- Print nozzle washing starts. The elapsed time is displayed on the display.
- Cleaning is performed automatically once print nozzle washing has ended.
- "Fill the Liquid. Exit Next [ENT]" appears on the display.

**11** Open the front cover.

**12** Fill the cap with maintenance liquid.

- Use a syringe to draw up some maintenance liquid and fill until it almost overflows from the cap.

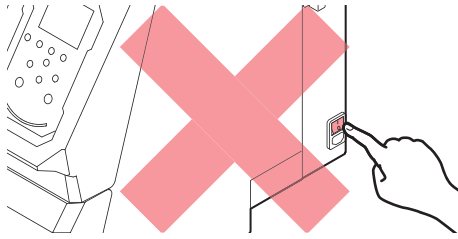


**13** Close the front cover, then press the [ENTER] key.

- Pump tube (ink discharge channel below the cap) washing starts.



- Do not turn off the main power supply. Turning off the main power supply will disable the automatic maintenance function (including nozzle clogging prevention function and waste ink draining channel cleaning function). This will increase the risk of print defects (e.g., nozzle clogging, deflection).




- Do not leave media loaded on the platen. This may leave irregularities or ripples in the media.



- When the machine is not in use, raise the clamp lever to separate the pinch rollers from the grit rollers. Leaving the pinch rollers in the lowered position for an extended period of time may cause the pinch rollers to become deformed. Deformation of the pinch rollers may prevent the media from being fed correctly.



- Perform the following if the "Check Waste Ink Tank" message appears on the display.  
 ["Waste Ink Tank Replacement"\(P. 30\)](#)

# 3. Consumable Item Replacement

To order replacement consumable items, contact your local dealer or our service office. For more information on consumable items, refer to our website (<https://mimaki.com/supply/inkjet.html>).



- Avoid storing this product in locations accessible to children.

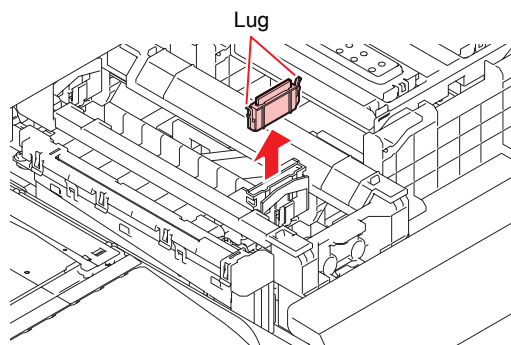


- When disposing of the product, contact an industrial waste disposal operator or dispose of the product in accordance with the local laws and regulations.

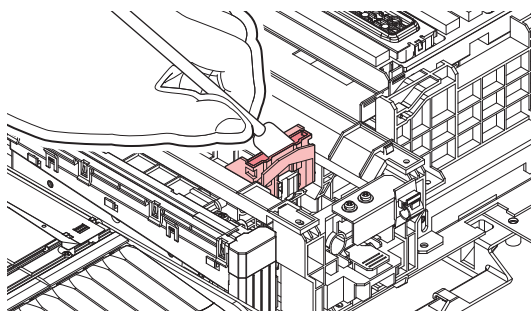
## Wiper Replacement

This product maintains a count of the number of wiping cycles. The "Replace Wiper" message appears when a preset count is reached. Replace dirty or warped wipers with new ones.

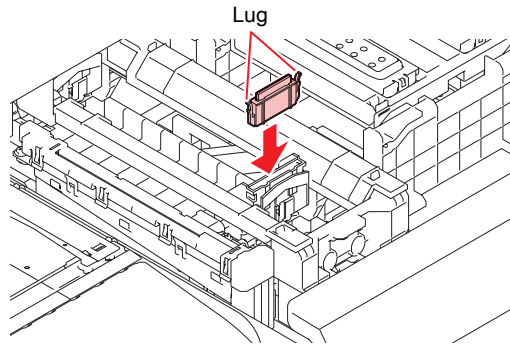
- 1 "Replace Wiper" appears on the display.**
- 2 On the LOCAL mode screen, select [MENU] > [Maintenance], then press the [ENTER] key.**
  - The Maintenance menu is displayed.
- 3 Select [Station Maint.] > [Replace Wiper], then press the [ENTER] key.**
  - The carriage moves over the platen.
- 4 Open the front cover.**
- 5 Detach the wiper.**
  - Pull out the wiper by holding the protrusions at both ends of the wiper bracket.



- 6 Clean the wiper slider.**
  - Wipe off any ink and dust adhering using a cleaning stick moistened with maintenance liquid. Wipe off the maintenance liquid. Make sure none remains.



## 7 Mount a new wiper.



## 8 Once replacement is complete, close the cover, then press the [ENTER] key.

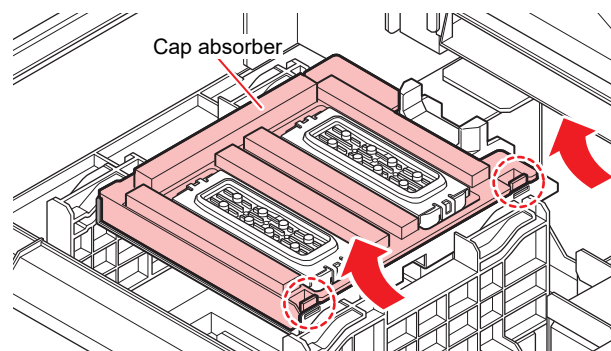
- The wiper usage count is reset.

## Cap Absorber Replacement

This product maintains a usage count. The "Replace Cap Absorber" message appears on the display when a preset count is reached. (This is supported in firmware version 2.5 and later.)

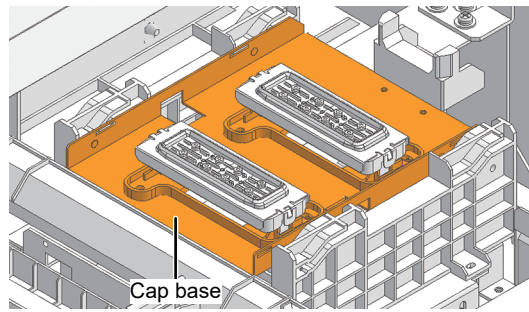
If the cap absorber is very dirty or if ink drips on to the media, replace with a new cap absorber.

- 1** The "Replace Cap Absorber" message appears on the display.
- 2** On the LOCAL mode screen, select [MENU] > [Maintenance], then press the [ENTER] key.
  - The Maintenance menu is displayed.
- 3** Select [Station] > [Carriage Out] > [Station Maint.], then press the [ENTER] key.
  - The carriage moves over the platen.
  - The cap absorber usage count is reset.
- 4** Turn off the power.
- 5** Open the front cover.
- 6** Remove the cap absorber.
  - Push up the two tabs at the front to remove the cap absorber.



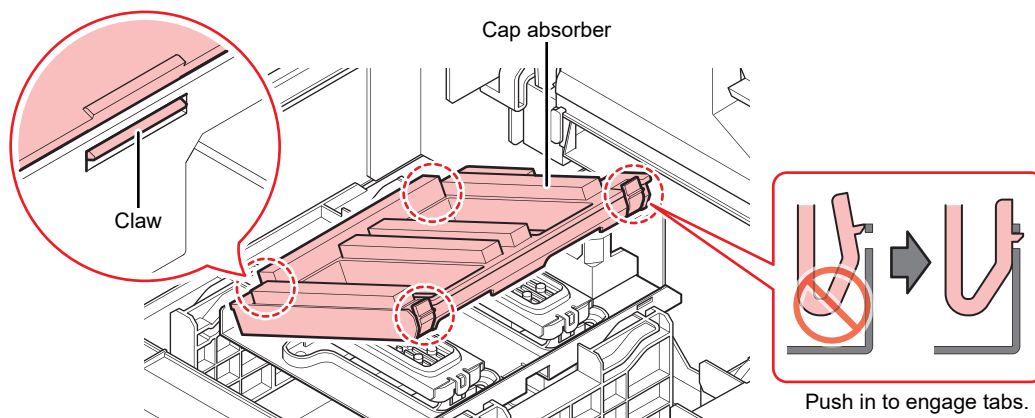
- Avoid ink dripping when removing the cap absorber.

## 7 Clean the carriage base.



## 8 Mount a new cap absorber.

- Push the tabs on the cap absorber into the slits at the rear of the C slider, and clip in the tabs at the front.



## 9 Once replacement is complete, move the wiper back to the rear by hand.

## 10 Close the front cover, then turn on the power.

- Check to confirm that the carriage returns to the station.

## Mist Filter Replacement

Check the mist filter. Replace if very dirty.

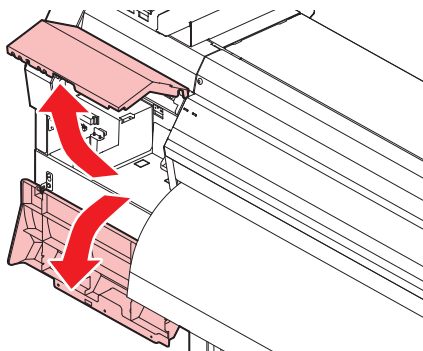
### 1 On the LOCAL mode screen, select [MENU] > [Maintenance], then press the [ENTER] key.

- The Maintenance menu is displayed.

### 2 Select [Station] > [Carriage Out] > [Head Maint.], then press the [ENTER] key.

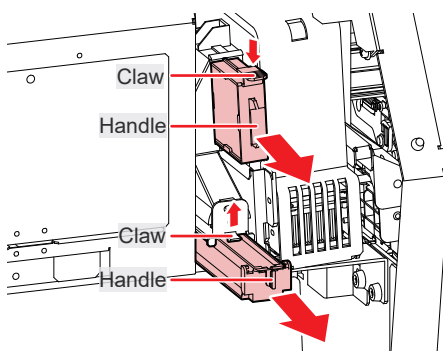
- The carriage moves to the maintenance space.

#### 3 Open the maintenance covers.



#### 4 Remove the mist filter box.

- Push the tabs in the direction indicated by the arrows and slide in the direction indicated by the arrows to remove.



#### 5 Replace the mist filter with a new one.

#### 6 Mount the mist filter box.

- Insert until it clicks into place. Confirm that the tabs are engaged.

#### 7 Once replacement is complete, close the cover, then press the [ENTER] key.

## LED Glass Replacement

Replace with new LED glass if the ink hardens and the existing LED glass becomes dirty.

#### 1 On the LOCAL mode screen, select [MENU] > [Maintenance], then press the [ENTER] key.

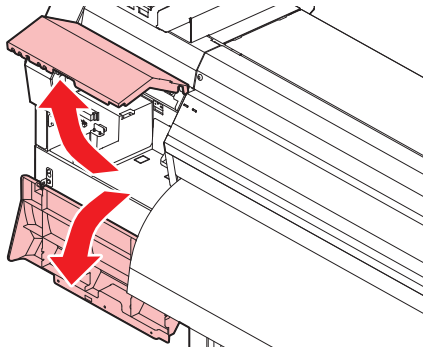
- The Maintenance menu is displayed.

#### 2 Select [Station] > [Carriage Out] > [Head Maint.], then press the [ENTER] key.

- The carriage moves to the maintenance space.

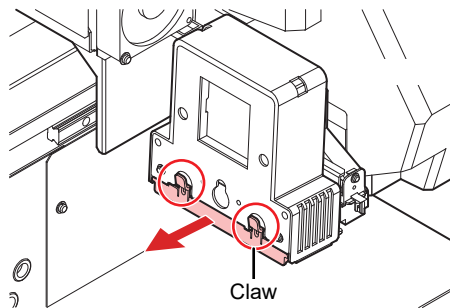


### 3 Open the maintenance covers.



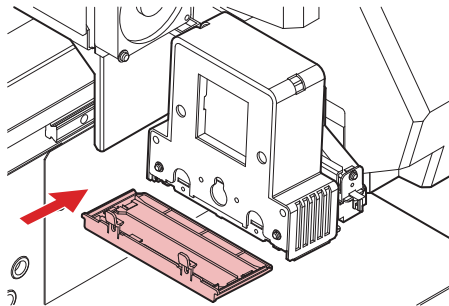
### 4 Remove the LED glass.

- Unclip the tabs and slide in the direction indicated by the arrow to remove.
- Be careful not to apply too much force when unclipping the tabs. Disregarding this precaution may cause the tabs to break.



### 5 Mount a new LED glass.

- Insert until it clicks into place. Confirm that the tabs are engaged.



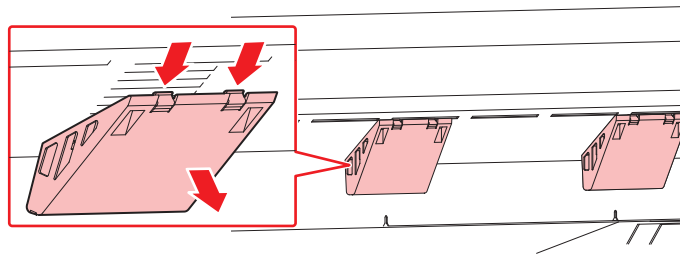
### 6 Once replacement is complete, close the cover, then press the [ENTER] key.

## Exhaust Fan Filter Replacement

Check the exhaust fan filter condition. Replace if very dirty.

#### 1 Remove the exhaust fan BOX.

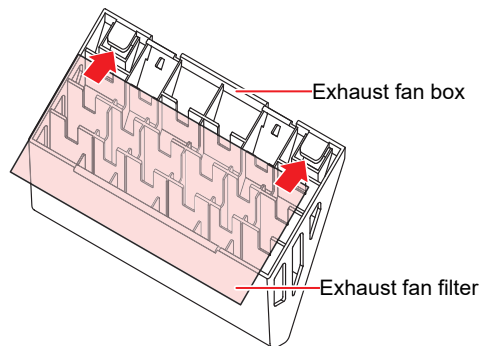
- Push the tabs at the front to remove the exhaust fan box.



- Replace the very dirty exhaust fan box with new one.

#### 2 Mount a new exhaust fan filter in the exhaust fan box.

- Press the exhaust fan filter into the space under the tabs of the exhaust fan box.



#### 3 Mount the exhaust fan box.

- Insert the tabs of the exhaust fan box into the slits of the machine, and clip in the tabs at the front.

## Pinch Roller Replacement

Replace worn or dirty pinch rollers with new ones.

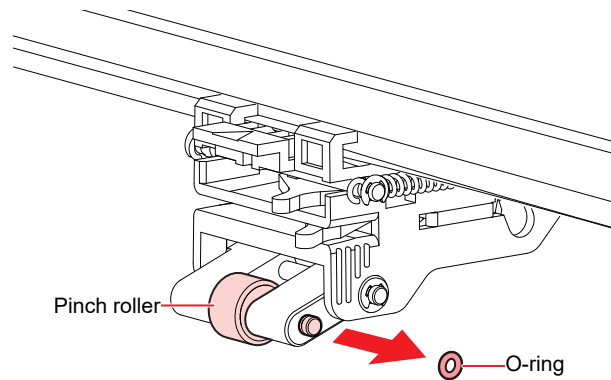


- Turn off the main power supply and unplug the power cable before replacing the pinch rollers.

#### 1 Open the front cover.

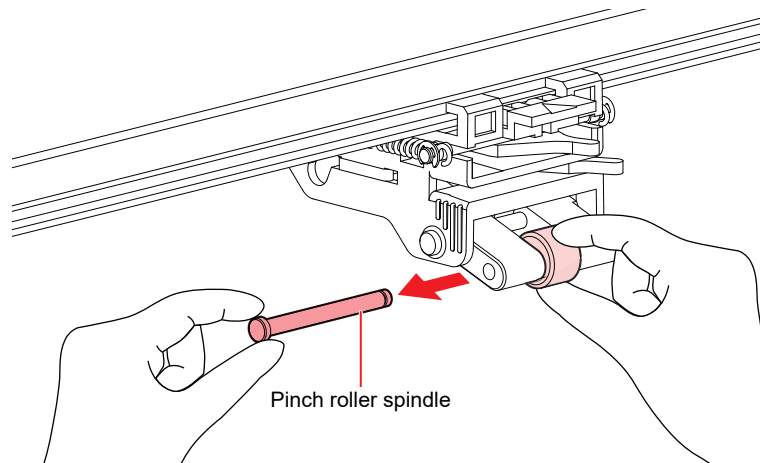
#### 2 Raise the clamp lever.

### 3 Remove the O-ring retaining the pinch rollers.



- The pinch rollers are small. Be careful to avoid dropping them into the product interior.

### 4 Remove the pinch roller spindle.



### 5 Mount new pinch rollers, and secure them using the O-ring.

### 6 Close the front cover.

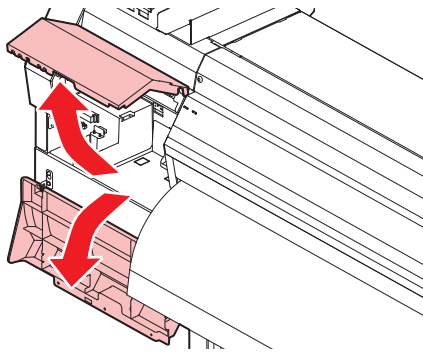
## Media Holder Replacement

If the media holder becomes deformed and touches the carriage or print head, replace with a new media holder.

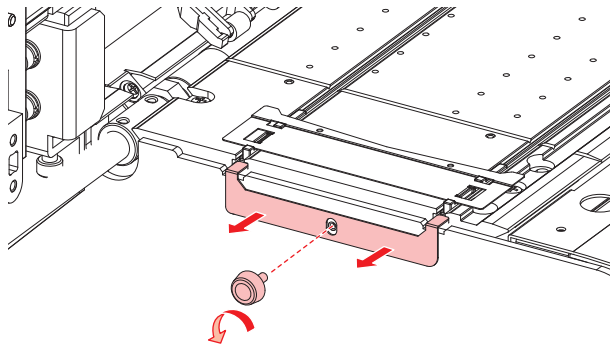


- Turn off the main power supply and unplug the power cable before replacing the pinch rollers.

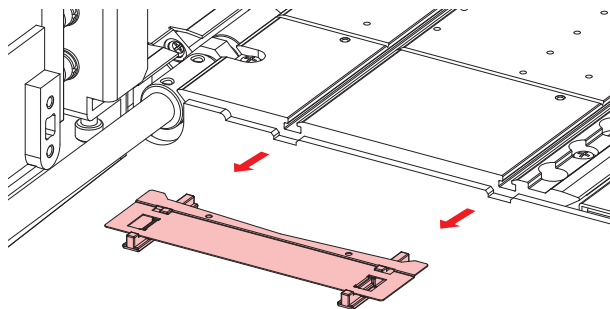
**1** Open the maintenance covers.



**2** Remove the side screw, and detach the media holder stopper.

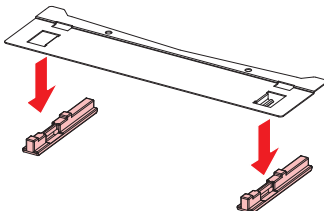


**3** Remove the media holder.



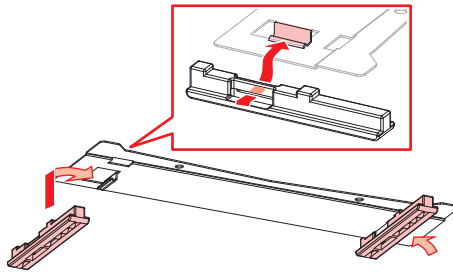
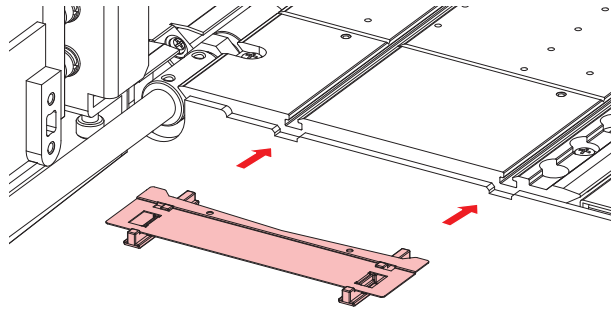
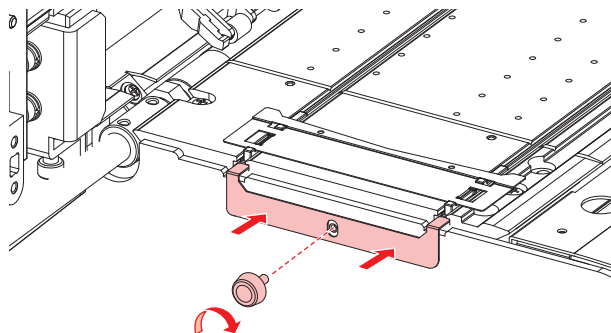
**4** Remove the sliders from the media holder.

- Be careful to avoid misplacing the sliders.



**5 Mount the sliders on to the new media holder.**

- Engage the holes in the sliders on to the lugs on the media holder.

**6 Mount the new media holder on to the platen.****7 Secure the media holder stopper with the screw.****8 Close the maintenance covers.**

## Media Cutter Replacement

Replace cutters when blades are chipped or blunt.



- Avoid touching the cutter blade. Failure to do so may result in injury.



- Avoid storing this product in locations accessible to children.

**1 On the LOCAL mode screen, select [MENU] > [Cutting], then press the [ENTER] key.**

- The Cutting menu is displayed.

## 2 Select [Tool Change], then press the [ENTER] key.

- The cutter unit moves over the platen.

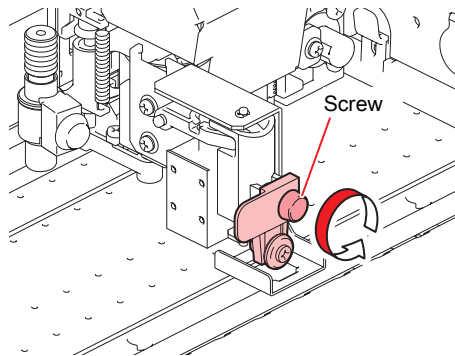
## 3 Open the front cover.



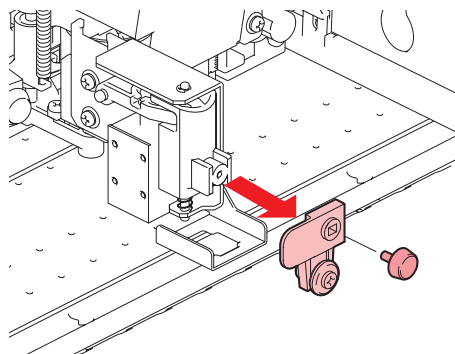
- The cutter unit can be moved manually. Move the carriage slowly to a position allowing easy access for replacement.

## 4 Replace the media cutter.

- (1) Unscrew the cutter screw.



- (2) Remove the cutter.



- (3) Mount a new cutter.

- (4) Tighten the screw to clamp the cutter.

## 5 Once replacement is complete, close the cover, then press the [ENTER] key.



- When disposing of the product, contact an industrial waste disposal operator or dispose of the product in accordance with the local laws and regulations.

## Waste Ink Tank Replacement

Ink used during head cleaning and other processes is collected in the waste ink tank at the lower right of the machine.

This product keeps track of the waste ink level. A "Check Waste Ink Tank" message appears when the preset level is reached. Use this a guide for replacing the waste ink tank.






- For a 2-liter tank, the preset level is 80 % (1.6 L).
- Continuing to use the product without disposing of the waste ink may result in waste ink overflowing from the waste ink tank. Visually check ink levels in the waste ink tank about once a week.



- Pay close attention to ventilation and be sure to wear safety glasses, gloves, and a mask when handling ink, maintenance liquid, waste ink, or other solutions used with the machine. Leaking ink may adhere to the skin or get into the eyes or mouth.

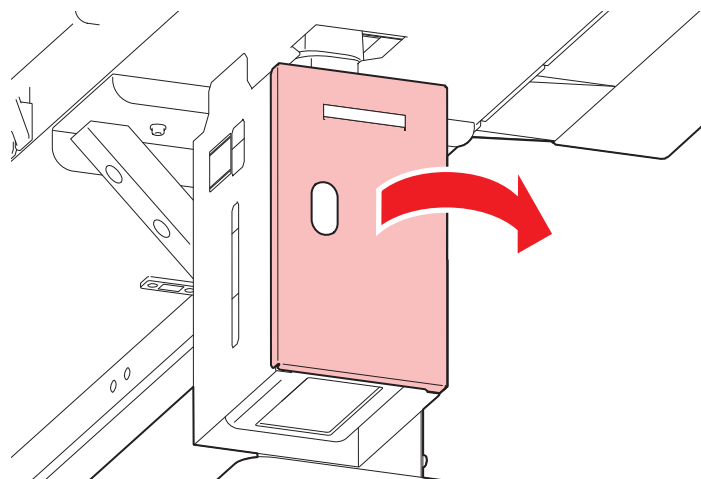


## When "Check Waste Ink Tank" message appears

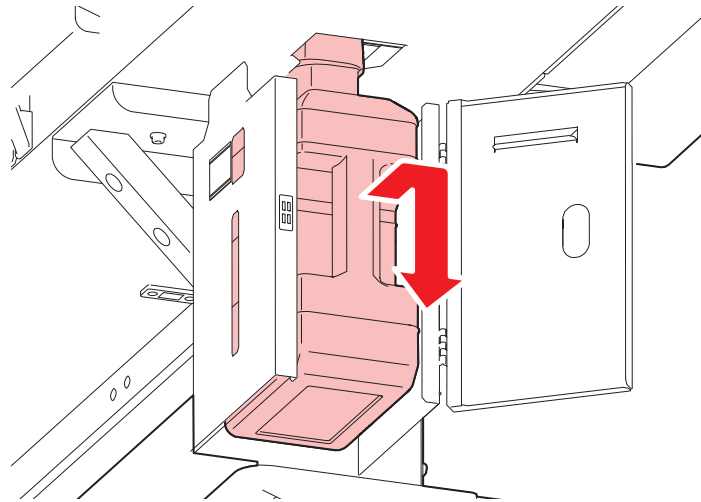
- 1** The "Check Waste Ink Tank" message appears on the display.
- 2** Check the waste ink levels in the waste ink tank.
  - If you note any discrepancies from actual levels, proceed to the next step.
  - If there is no discrepancy, replace (dispose of) the waste ink tank referring to  ["Replacing the Waste Ink Tank"\(P. 31\)](#).
- 3** On the LOCAL mode screen, select [MENU] > [Maintenance], then press the [ENTER] key.
  - The Maintenance menu is displayed.
- 4** Select [Replace Wasteinktank], then press the [ENTER] key.
  - "Replace Wasteinktank Level: 80 % (1.6 L)" appears on the display.
- 5** Press   to adjust the level.
- 6** Press the [ENTER] key once adjustment is complete.

## Replacing the Waste Ink Tank

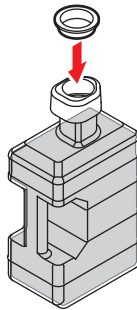
- 1** On the LOCAL mode screen, select [MENU] > [Maintenance], then press the [ENTER] key.
  - The Maintenance menu is displayed.
- 2** Select [Replace Wasteinktank], then press the [ENTER] key.
  - "Replace Wasteinktank Level: 80 % (1.6 L)" appears on the display.
- 3** Open the waste ink tank cover.



**4** Hold the handle on the waste ink tank and slide out.

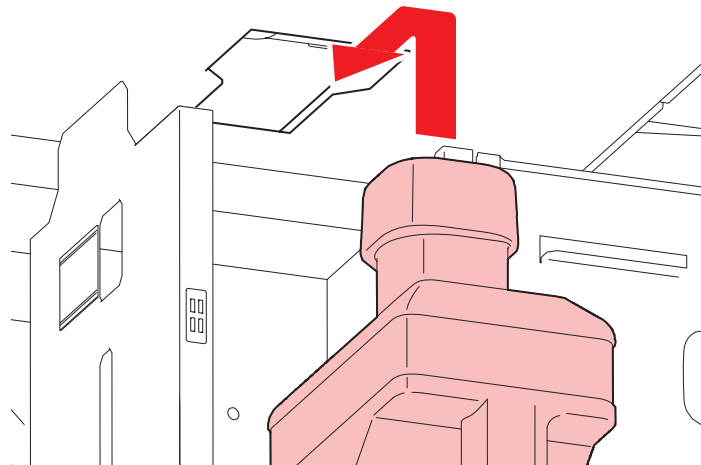


**5** Attach the cap to the removed waste ink tank, and use tape to prevent leakage of waste ink.

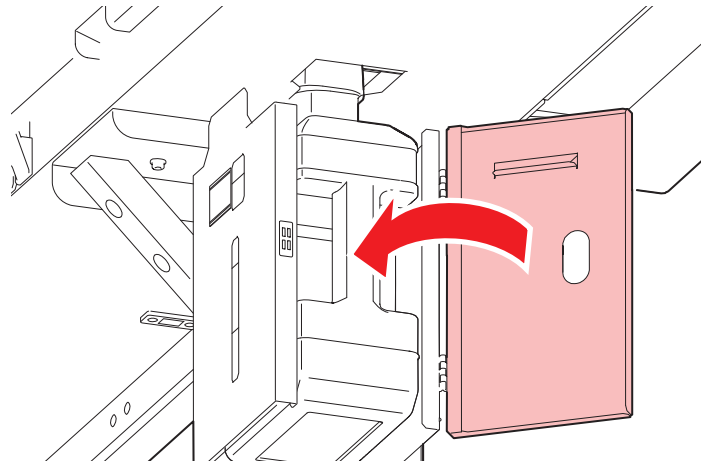


- When disposing of the product, contact an industrial waste disposal operator or dispose of the product in accordance with the local laws and regulations.

**6** Mount a new waste ink tank.





**7 Close the waste ink tank cover.****8 Press the [ENTER] key.**

- The waste ink level will be reset.

## About the Media Cutter

Replace cutters when blades are chipped or blunt.

To order replacement consumable items, contact your local dealer or our service office.

Item	Code
Pen adapter	SPA-0169
Eccentric cutter holder	SPA-0001
Eccentric cutter holder	SPA-0090
Eccentric blade for PVC sheets	SPB-0001
Eccentric blade for small letters	SPB-0003
Eccentric blade for rubber sheets	SPB-0005
Eccentric blade for reflective sheets	SPB-0006
Eccentric blade for fluorescent sheets	SPB-0007
Low pressure eccentric blade for PVC sheets	SPB-0030
Eccentric blade for thick rubber sheets	SPB-0084

For more information on other consumable items, refer to our website. <https://mimaki.com/supply/inkjet.html>



- Avoid touching the cutter blade. Failure to do so may result in injury.
- Do not shake or swing the cutter holder. Doing so may cause the blade to come off.



- Avoid storing this product in locations accessible to children.



- When disposing of the product, contact an industrial waste disposal operator or dispose of the product in accordance with the local laws and regulations.

### ● Replacing Cutters

Installing Cutting Tools

## Pen Line Replacement

This machine can be used with the following pen lines.

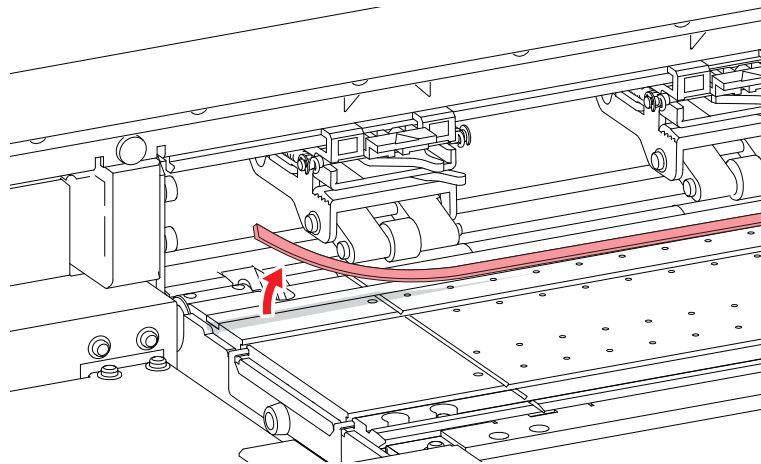
- Pen line rubber  
Used for pen writing or cutting
- Pen line sponge  
Used for half cut (cutting across a dotted line)

To order replacement consumable items, contact your local dealer or our service office.

Item	Code
PEN LINE RUBBER FOR 300/150-160	SPC-0770
PEN LINE RUBBER FOR 300/150-130	SPC-0771
PEN LINE RUBBER FOR 150-107	SPC-0772
PEN LINE RUBBER FOR 150-75	SPC-0773
PEN LINE SPONGE FOR 300/150-160	SPC-0775
PEN LINE SPONGE FOR 300/150-130	SPC-0776
PEN LINE RUBBER FOR 150-107	SPC-0777
PEN LINE RUBBER FOR 150-75	SPC-0778

For more information on other consumable items, refer to our website. <https://mimaki.com/supply/inkjet.html>

- 1 Open the front cover.**
- 2 Use tweezers to peel off the end of the pen line.**
  - Wipe off any adhesive remaining in the platen slot with alcohol.



- 3 Attach double-sided tape in the platen slot.**
  - Peel off the base paper from the double-sided tape.
- 4 Attach the pen line on the double-sided tape.**
  - Make sure the pen line lies flat.
- 5 Close the front cover.**

## **Requests for Care and Maintenance**

---

---

February, 2023

**MIMAKI ENGINEERING CO.,LTD.**

2182-3 Shigeno-otsu, Tomi-shi, Nagano 389-0512 JAPAN

---

---

D203178-28-01022023

