

UV INKJET PRINTER**UCJV300 Series****UCJV150 Series****Safety Precautions**

安全上の注意

Safety Precautions**English**

Introduction.....	2
To Ensure Safe Use.....	4
Notes on Handling Ink or any Other Liquid Used with the Machine.....	9
Installation Precautions	12
Safety Interlocks.....	15
Warning Label.....	16

日本語

はじめに	18
安全にお使いいただくために.....	20
インクやその他本機で使用されている液体を取り扱うとき の注意事項.....	25
設置上のご注意	28
安全インターロックについて.....	31
警告ラベル.....	32

Introduction

Thank you for purchasing the UV-LED curable inkjet printer UCJV300 Series, 150 Series.

Read the safety precautions ("this document" hereinafter) thoroughly and make sure you understand its contents to ensure safe and correct use of the product.

Please note that the illustrations contained in this manual are intended to show functions, procedures, or operations and may sometimes differ slightly from the actual machine.

Unauthorized reproduction of any portion of this document is strictly prohibited.

© 2017 MIMAKI ENGINEERING Co., Ltd.

● DISCLAIMERS

- MIMAKI ENGINEERING REJECTS ALL LIABILITY FOR DAMAGE ARISING DIRECTLY OR INDIRECTLY FROM THE USE OF THE UCJV300 Series, 150 Series ("THIS MACHINE" HEREINAFTER), WHETHER OR NOT THE PRODUCT IS FAULTY.
- MIMAKI ENGINEERING REJECTS ALL LIABILITY FOR DAMAGE, DIRECT OR INDIRECT, TO MATERIALS CREATED WHILE USING THIS MACHINE.
- USING THIS MACHINE IN CONJUNCTION WITH DEVICES OTHER THAN THOSE RECOMMENDED BY MIMAKI ENGINEERING MAY RESULT IN FIRE OR ACCIDENTS. SUCH INCIDENTS ARE NOT COVERED BY THE PRODUCT WARRANTY. MIMAKI ENGINEERING REJECTS ALL LIABILITY FOR DAMAGE, DIRECT OR INDIRECT, ARISING FROM SUCH INCIDENTS.
- USE ONLY GENUINE MIMAKI ENGINEERING INK AND MAINTENANCE LIQUID. USE OF OTHER PRODUCTS MAY RESULT IN FAILURES OR REDUCE PRINT QUALITY. SUCH INCIDENTS ARE NOT COVERED BY THE PRODUCT WARRANTY. MIMAKI ENGINEERING REJECTS ALL LIABILITY FOR DAMAGE, DIRECT OR INDIRECT, ARISING FROM SUCH INCIDENTS.
- DO NOT ATTEMPT TO REFILL THE INK BOTTLES WITH UNAUTHORIZED INK. SUCH INCIDENTS ARE NOT COVERED BY THE PRODUCT WARRANTY. MIMAKI ENGINEERING REJECTS ALL LIABILITY FOR DAMAGE, DIRECT OR INDIRECT, ARISING FROM SUCH INCIDENTS.
- USE ONLY GENUINE MIMAKI ENGINEERING ANTI FREEZING LIQUID. USE OF OTHER ANTI FREEZING LIQUID MAY CAUSE FAILURES OR REDUCE PRINT QUALITY. SUCH INCIDENTS ARE NOT COVERED BY THE PRODUCT WARRANTY. MIMAKI ENGINEERING REJECTS ALL LIABILITY FOR DAMAGE, DIRECT OR INDIRECT, ARISING FROM SUCH INCIDENTS.
- AVOID USING UV-LED UNITS OR UV POWER SUPPLY UNITS OTHER THAN THOSE SPECIFIED BY MIMAKI ENGINEERING. USING DEVICES OTHER THAN GENUINE MIMAKI ENGINEERING DEVICES MAY RESULT IN FAILURE, ELECTRIC SHOCK, OR FIRE. SUCH INCIDENTS ARE NOT COVERED BY THE PRODUCT WARRANTY. MIMAKI ENGINEERING REJECTS ALL LIABILITY FOR DAMAGE, DIRECT OR INDIRECT, ARISING FROM SUCH INCIDENTS.

● TV and radio interference



- The machine emits high-frequency electromagnetic radiation while operating. Under certain circumstances, this may result in TV or radio interference. We make no guarantee that this machine will not affect special radio or TV equipment.
-

If radio or TV interference occurs, check the radio or TV reception after turning off the machine. If the interference disappears when the power is turned off, the machine is likely to be the cause of the interference.

Try any of the following solutions or combinations of these solutions:

- Change the orientation of the TV or radio antenna to find a position where interference does not occur.
- Move the TV or radio away from this machine.
- Plug the TV or radio into a power outlet on a power circuit other than the power circuit to which this machine is connected.

● Voluntary restraint of electromagnetic interference

This product is VCCI Class A information technology equipment. Use of this product at home may cause jamming. Such incidents may require the user to take appropriate measures. VCCI-A

● FCC (Federal Communications Commission) regulations

The machine has been tested and certified to comply with restrictions applying to Class A digital devices under Part 15 of the FCC regulations. These restrictions are designed to provide suitable protection from harmful interference when the printer is used in commercial environments.

This product may generate, use, or emit radio frequency energy and may cause harmful interference with radio communications if not installed or used in accordance with the operating manual.

Use of this product in residential areas may cause harmful interference. If so, the user is responsible for rectifying such interference.



- Use only the cables recommended by Mimaki Engineering when connecting to the machine. Use of other cables may cause the product to exceed the restrictions stipulated by FCC regulations. To maintain compliance with FCC regulations, use the cables recommended by Mimaki Engineering.
-










● Restrictions Concerning in Usage

UCJV300 Series, 150 Series is classified as Risk Group 1 according to IEC62471/ IECTR62471-2.

To Ensure Safe Use

Symbols

In this manual, symbols indicate and explain precautions. Make sure you fully understand the meaning of each symbol and use the machine safely and correctly.

Explanation		
	Warning	Indicates a potential hazard that may result in death or serious injury if handled improperly or if instructions are disregarded.
	Caution	Indicates a potential hazard that may result in minor or moderate injury if handled improperly or if instructions are disregarded.
	Notice	Indicates a potential hazard that may result in property damage if handled improperly or if instructions are disregarded.
	Warning sign	Indicates something that requires attention. Warning specifics are drawn inside the symbol.
	Mandatory action sign	Indicates an action that must be carried out. The specifics of the mandatory action are drawn inside the symbol.
	Prohibition sign	Indicates a prohibited action. The specifics of the prohibited action are drawn inside the symbol.
	Important	Indicates important information related to use of this machine.
	Tip	Indicates useful reference information.
	Reference information	Indicates the corresponding page for related information.

Usage Precautions

● In the event of abnormal conditions

WARNING



- In the event of abnormal conditions such as smoke or unusual odor, turn off the main power immediately and unplug the power cable. Continuing to use the machine under these conditions may result in failure, electric shock, or fire. Once you have confirmed that smoke is no longer being emitted, contact your local dealer or our service office. Never attempt to repair the machine yourself, which is hazardous.

CAUTION



- Immediately wipe off any ink, maintenance liquid, waste ink, or other liquid used with the product that comes into contact with your skin. Then wash using soap, and rinse with plenty of water. Failure to wash off ink may result in skin inflammation. If your skin becomes irritated or painful, seek medical attention immediately.
- If ink, maintenance liquid, waste ink, or any other liquid used in the product comes into contact with your eyes, rinse immediately with plenty of clean water. Rinse for at least 15 minutes. If you wear contact lenses and they can be easily removed, remove after rinsing for at least 15 minutes with clean water. Be sure to also rinse the undersides of your eyelids. Failure to rinse off ink may result in blindness or impaired vision. If your eyes become irritated or painful, seek medical attention immediately.
- If ink, maintenance liquid, waste ink, or any other liquid used in the product enters your mouth or is swallowed, gargle with water immediately. Do not induce vomiting. Seek medical attention promptly. Inducing vomiting may cause liquid to enter the airway.
- If a large amount of vapor is inhaled, move to a well-ventilated area, keep warm, and rest in a posture that allows easy breathing. If the condition does not improve, seek medical attention promptly.
- Then contact the emergency number written on the SDS.

NOTICE



- If an ink leak occurs, turn off the main power immediately and unplug the power cable. Then, contact your local dealer or our service office.

● Power supply precautions

⚠ WARNING



- Use the power cable provided. Otherwise there is a risk of failure, electric shock, or fire. The power cable provided is exclusive for the machine, and must not be used for other electrical equipment.
- Always hold the plug when removing the power cable. Pulling out the power cable may damage the cable, leading to failure, electric shock, or fire.
- Do not use the machine with dust accumulated on the power plug. Otherwise there is a risk of failure, electric shock, or fire.
- Take care to prevent metals from touching the power plug blades. Otherwise there is a risk of failure, electric shock, or fire.
- Do not damage or modify the power cable. Do not place heavy objects on, heat or stretch it. Doing so may damage the cable, leading to electric shock or fire.
- Do not use extension cords or power strips. Otherwise there is a risk of failure, electric shock, or fire.
- Do not use the power cable if it is damaged or broken or if the core wire is exposed. Otherwise there is a risk of failure, electric shock, or fire.
- Do not handle the power plug with wet hands. Disregarding this precaution may result in electric shock.

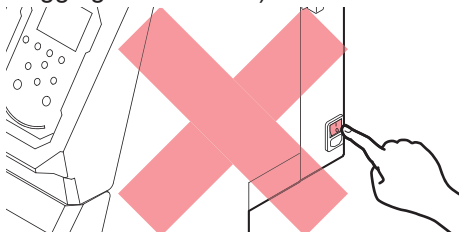


- Plug the power cable plug into a grounded power outlet. Otherwise there is a risk of failure, electric shock, or fire.
- When installing electrical outlets, perform grounding work to prevent electric shock. All electrical work (Class C grounding work; formerly Type 3 grounding work) must be handled by a licensed electrician.

NOTICE



- Do not turn off the main power supply. Turning off the main power supply will disable the automatic maintenance function (including nozzle clogging prevention function and ink discharge channel cleaning function). This increases the risk of ejection failures (such as nozzle clogging or deflection).



- Use the machine with a power supply that meets specifications.
- Be sure to plug the power cable into a power outlet close to the machine. Insert the power plug blade securely.
- When connecting the power cable, check the input voltage of the power outlet and the capacity of the breaker. Also, connect each cable to a separate power source with an independent breaker. Connecting to power outlets linked with the same breaker will cause the breaker to trip.

● Caution regarding moving parts

⚠ CAUTION



- Keep parts of the body such as the face and hands away from moving parts. Also keep clothing (e.g., loose clothing and accessories) that may impede work away from the machine. Failure to do so may result in injury.



- Long hair should be tied back. Failure to do so may result in injury.

● Do not disassemble or repair

⚠ WARNING



- Do not attempt to disassemble or repair this machine. Otherwise there is a risk of failure, electric shock, or fire.

● Handling the cutter

⚠ CAUTION



- Avoid touching the cutter blade. Failure to do so may result in injury.
- Do not shake or swing the cutter holder. Doing so may cause the blade to come off.

● Ultraviolet light (UV) and the UV-LED unit

⚠ WARNING



- Do not place combustibles under the UV-LED unit, and do not cover it with paper or cloth. There is a risk of fire or burns.
- Small amounts of ultraviolet light may leak from the UV-LED unit. Wear UV safety glasses, face shields, masks, gloves, and long-sleeved clothing to protect the eyes and skin from ultraviolet light.
 - (1) Exposure to ultraviolet light may result in skin inflammation. Even if no inflammation occurs, extended or repeated exposure may lead to chronic problems.
 - ⇒ Acute problems: Inflammation
 - ⇒ Chronic problems: Skin cancer, wrinkles, blotches
 - (2) Looking directly at the lamp while the lamp is on may result in eye pain or damage to eyesight. Even if no eye pain occurs, extended or repeated exposure may lead to chronic problems.
 - ⇒ Acute problems: Ultraviolet keratitis, conjunctivitis, discomfort, pain, watery eyes
 - ⇒ Chronic problems: Pterygium, cataracts

⚠ CAUTION



- The UV-LED unit becomes extremely hot. Be careful not to touch the LED after it has been turned off until it has sufficiently cooled.



- Do not expose the skin or eyes directly or indirectly to light from the UV-LED unit. The UV-LED unit emits ultraviolet (UV) light. Skin or eye exposure may result in inflammation.



- Be sure to use the UV safety glasses provided. Disregarding this precaution may result in eye pain or damage to eyesight.

NOTICE



- Avoid scratching or subjecting the UV-LED unit to excessive force. Disregarding this precaution may result in deformation or failure of the unit.
- Avoid touching the glass on the underside of the UV-LED unit with bare hands. Disregarding this precaution may impair UV ink curing. If the glass becomes dirty, wipe clean using a soft, clean cloth soaked with ethanol. Be careful to keep ethanol from splashing on the covers or other parts while cleaning. Disregarding this precaution may result in deformation or failure of the unit.

● Other usage precautions

WARNING



- Keep children away from the machine.

NOTICE



- Do not pull the media when the clamp lever is lowered (the media is clamped). Doing so may damage the machine.



- The underside of the media may be soiled depending on how the printed media has been stored (due to weight when laying printed media rolls horizontally, for example) and the media type. Perform a test beforehand to check that the media does not transfer ink to the underside of the adjacent media.

● Disposing of the product

CAUTION



- Please contact your local retailer or service agent.
- When disposing of the product yourself, contact an industrial waste disposal operator or dispose of the product in accordance with local laws and regulations.

Notes on Handling Ink or any Other Liquid Used with the Machine

Precautions regarding ink, maintenance liquid, or other liquids used with this machine are included with the containers. Thoroughly read them and make sure you understand the contents.



- Be sure to read the safety data sheet (SDS) before use. <https://mimaki.com/supply/sds/>

CAUTION



- Pay close attention to ventilation and be sure to wear safety glasses, gloves, and a mask when handling ink, maintenance liquid, waste ink, or other solutions used with the machine. Leaking ink may adhere to the skin or get into the eyes or mouth.



- Use only genuine Mimaki Engineering anti freezing liquid. Use of other anti freezing liquid may cause failures of the cooling unit.
- Take care to prevent any potential sources of ignition such as sparks caused by static electricity or material impacts.
- Be sure to dispose of any unneeded anti freezing liquid in the following manner.
 - (1) Soak it up with materials such as sawdust or rags and burn them in an incinerator.
 - (2) Pass them onto a licensed industrial waste disposal company after clearly indicating their contents.



- Do not subject cases containing ink to strong shock or violent shaking. Do not attempt to refill the ink. Leaking ink may adhere to the skin or get into your eyes or mouth.



- Do not disassemble cases containing ink. Leaking ink may adhere to the skin or get into your eyes or mouth.



- Do not store ink, maintenance liquid, or other liquids used with the machine in locations where children may enter.



- When disposing of ink, maintenance liquid or other liquid used with the product, or containers or non-woven fabric contaminated with ink or other liquid, contact an industrial waste disposal operator or dispose of the product in accordance with the local laws and regulations.

NOTICE



- Do not store ink, maintenance liquid, or other liquids used with the machine in locations exposed to direct sunlight.
- Do not store ink, maintenance liquid, or other liquids used with the machine in environments where cutting fluid or other volatile substances (such as amines or modified amine alcohol) are present in significant quantities. Storage in such places increases the risk of failure or ejection failures (e.g., nozzle clogging or deflection).
- Do not use ink, maintenance liquid, or other liquids used with this machine with other printers. Doing so may cause failure.



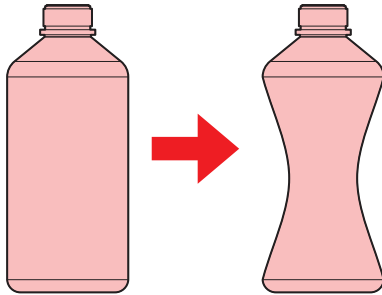
- Be sure to store them in a low place no higher than 1 m above the floor. Otherwise there is a risk of scattering if the containers fall.
- Store in tightly sealed containers.
- Store in a cool, dark place.
 - (1) Store ink in a place where ink does not freeze. Using defrosted ink may deteriorate ink constituents and reduce print quality.
 - (2) When ink is moved from a cold place to a warm place, leave it in the environment where the machine is installed for at least three hours before using it.
 - (3) Open the container just before installing it, and use it up as quickly as possible. If it is opened and left for an extended period of time, print quality may be reduced.



- Do not touch the metal parts of the ink IC chip. Static electricity may damage the ink IC chip, and dirt or damage may cause the ink IC chip read error.



- Printing is not possible when different types of ink IC chips are used.
- If the ink bottle mounted on the machine is dented, it may still be used.



Restrictions Concerning the Expiration Date of Ink Used in the Machine

Example: When the expiration date is April 20xx

- May 20xx: Replace with new ink or use up as quickly as possible. Printing is possible.
- June 20xx: Replace with new ink or use up as quickly as possible. Printing is possible.
- July 20xx: Printing is not possible.



- The message appears on the display.



- The ink expiration date is indicated on the ink container. Expired ink may cause ejection failures or alter the color tone. Printing is possible even if the ink has passed its expiration date. Nevertheless, we recommend replacing with new ink or using up as quickly as possible.

Installation Precautions

⚠ WARNING



- Do not install the machine in a place close to fire.
- Do not place flower vases, pots, cups, containers containing cosmetics, chemicals or water, or small metal items on or close to the machine. If they enter the machine, there is a risk of failure, electric shock, or fire.



- Do not install this machine in humid locations or locations where it may be exposed to splashing water. Otherwise there is a risk of failure, electric shock, or fire.



- Do not install the machine in a place where children may enter.

⚠ CAUTION



- A ventilation system must be provided if the machine is installed in a poorly ventilated area or sealed room.
- Be sure to observe the following points regarding exhaust port installation:
 - (1) Exhaust port installation must conform to local environmental, health, and safety (EHS) guidelines.
 - (2) If the exhaust port is fitted with a shutoff valve, the valve must be open when the machine is in use.

NOTICE



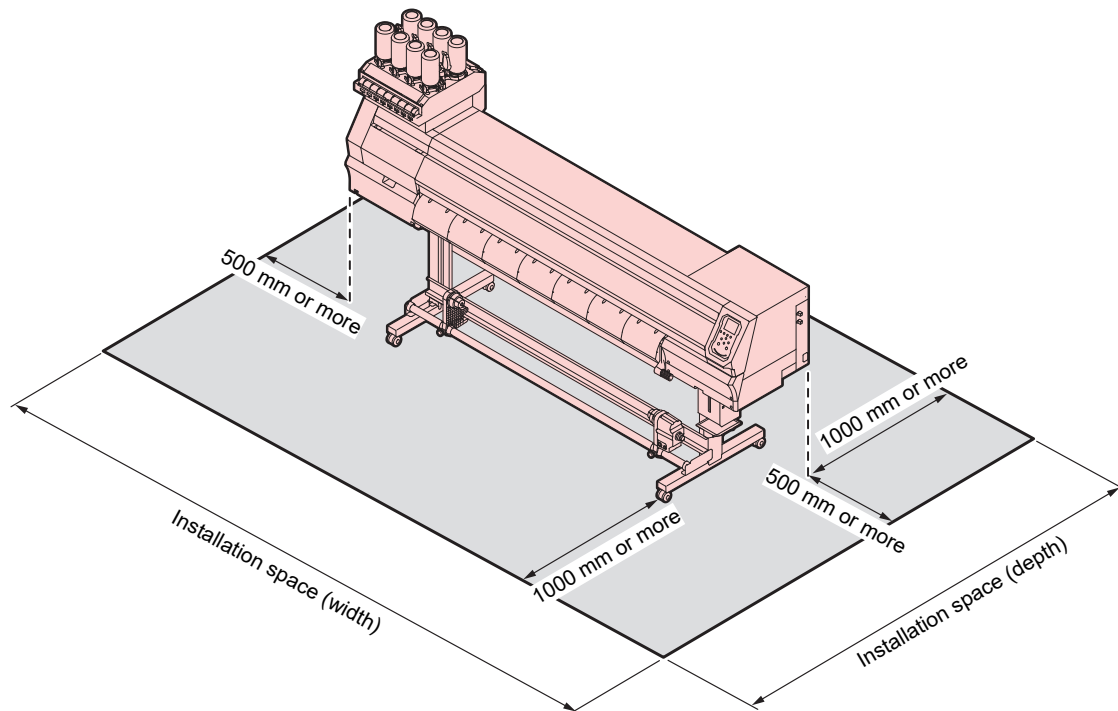
- Do not install this machine in locations where dust or powder is present. Failure or printing defects may result (e.g., nozzle clogging, deflection) if dust gets inside this machine.
- Do not install this machine in locations exposed to drafts (e.g., from air conditioning). Disregarding this precaution may result in dust or powder getting inside this machine.
- Do not install this machine in unstable locations or locations subject to vibration. This will increase the risk of failure or printing defects (e.g., nozzle clogging, deflection).
- Do not install this machine in locations exposed to direct sunlight.
- Do not install this machine in locations subject to sudden temperature changes. This will increase the risk of failure or printing defects (e.g., nozzle clogging, deflection).
- Do not install this machine in locations exposed to excessive noise from large machinery.
- Do not install this machine in locations where photographic fixing agents generate vapor or acid gas (e.g., acetic acid, hydrochloric acid) or locations filled with metal working fluids or highly volatile substances (e.g., amines, amine-modified alcohols). Malfunctions or printing defects may result (e.g., nozzle clogging, deflection) as print head ink is more likely to harden under such environments.



- Operating environment: 20 to 30 °C (68 to 86 °F), 35 to 65 %RH (no condensation)
- Temperature range in which accuracy is guaranteed: 20 to 25 °C (68 to 77 °F)

Installation Space

Provide the following space around the machine to allow safe and proper replacement of ink and media:



Item	UCJV300-160	UCJV300-130	UCJV300-107	UCJV300-75	UCJV150-160
Width ^{*1}	At least 3,900 mm (2,900 mm)	At least 3,650 mm (2,650 mm)	At least 3,380 mm (2,380 mm)	At least 3,090 mm (2,090 mm)	At least 3,900 mm (2,900 mm)
Depth ^{*1}	At least 2,776 mm (776 mm)				
Height ^{*1,*2}	(1,475 mm)				
Weight	188 kg	177 kg	161 kg	144 kg	183 kg

*1. The figures in parentheses indicate machine dimensions.

*2. Excluding the ink bottle height

When Relocating This Machine

Contact your local dealer or our service office. Attempting to handle relocation yourself may result in failure or damage.

Moving This Machine

Never move this machine. If circumstances make it unavoidable, move the machine only to a location somewhere on the same floor horizontally.



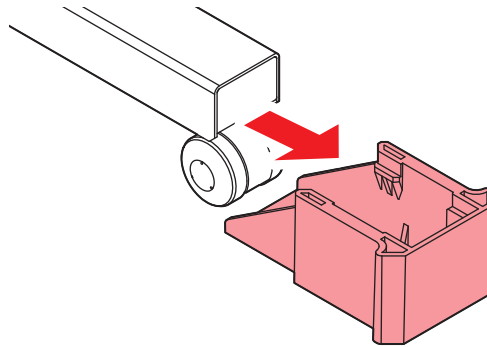
- Read and make sure you fully understand the procedures before moving this machine.



- Do not move by pushing the cover. Otherwise the cover may be damaged.

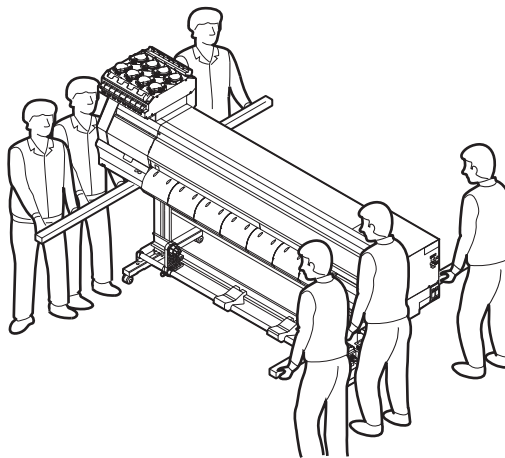
1 Attach the transportation stays fitted underneath this machine.

2 Remove the caster block.

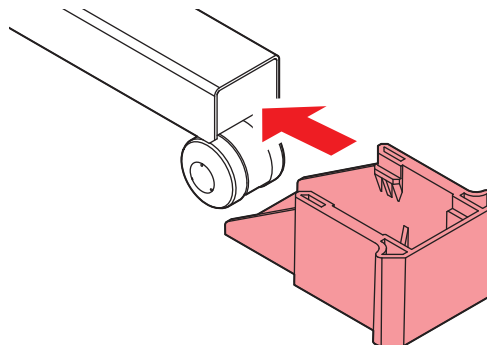


3 Move by grasping the transportation stays.

- Assign at least six persons to move this machine. Comply with local regulations when moving the product.



4 Replace the caster block.



5 Remove the transportation stays.

6 Attach the transport stay to the underside of the main unit.

7 Check to confirm the nozzle is not clogged.

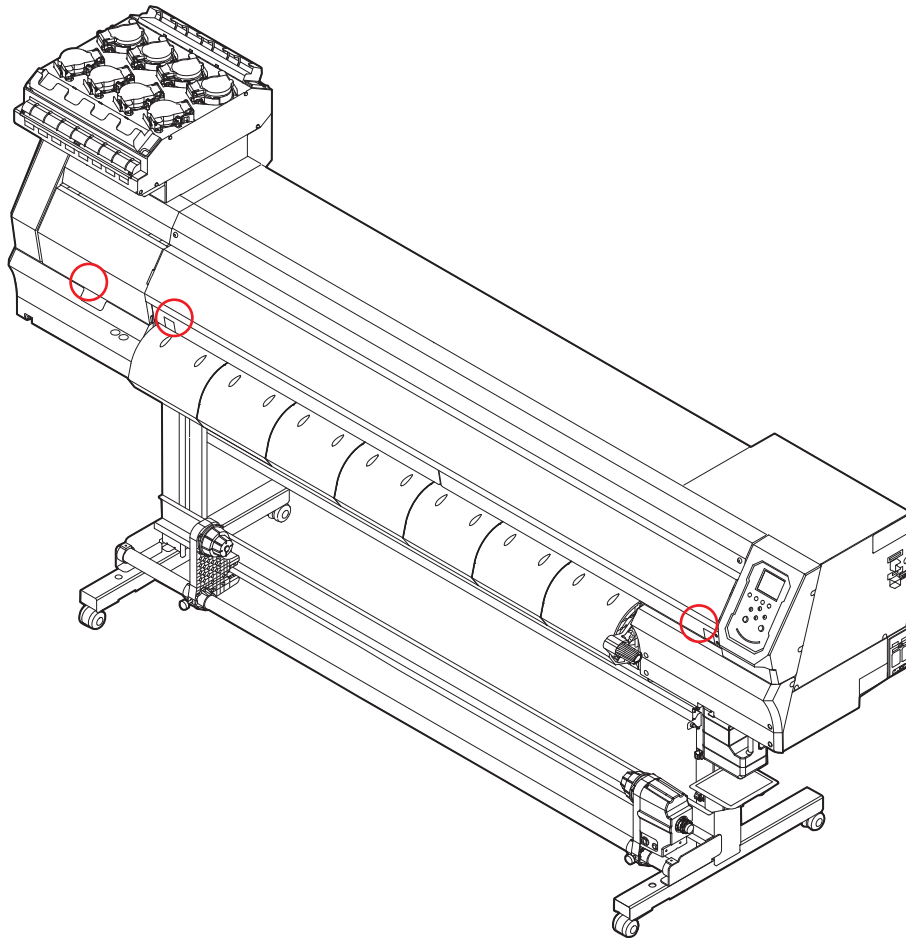
8 Be sure to correct the feed and the dot position before printing.

Safety Interlocks

The machine is equipped with interlocks to ensure safety during use.

Printing will abort if you open the covers while printing is underway. The RIP data will need to be resent.

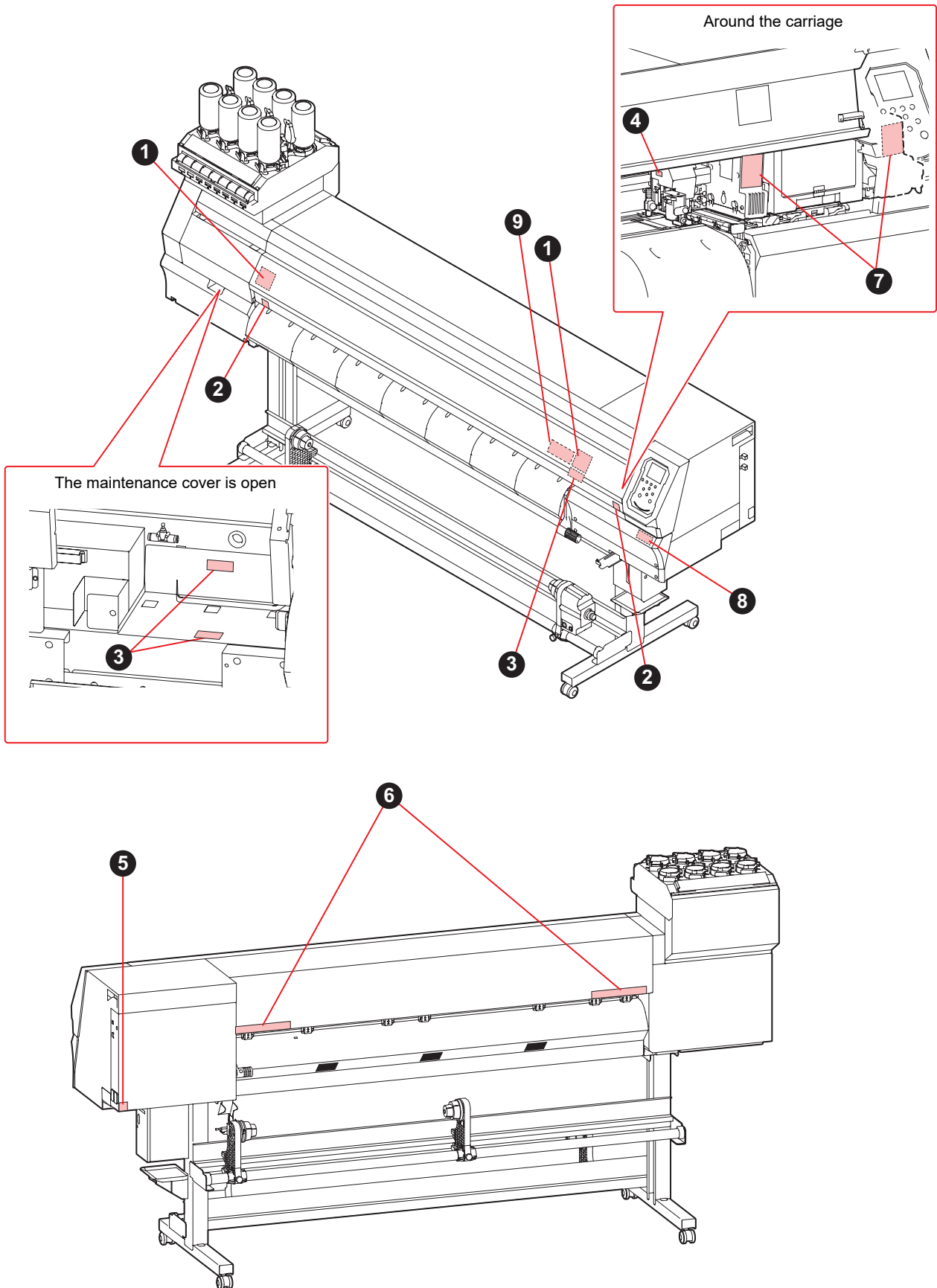
- Safety interlock locations













Warning Label

Make sure you fully understand the details indicated on the various warning labels.

If any of the warning labels becomes dirty and illegible or peel off, contact your local dealer or our service office to request new warning labels.



No.	Order code	Label	Details
1	M910931		Beware of opening and closing parts. Injury may result if hands become trapped.
2	M907833		Indicates dangerous moving parts.
3	M903330		Wear safety glasses and gloves while working.
4	M903405		Beware of the cutter.
5	M907935		Indicates dangerous live parts.
6	M905811		Indicates dangerous moving parts.
7	M913419		Beware of ultraviolet light.
8	M905935		Avoid touching the pinch roller lever.
9	M920102	<p>RISK GROUP 1 / GROUPE DE RISQUE 1</p> <p> WARNING UV emitted from this product. Eye or skin irritation may result from exposure. Use appropriate shielding.</p> <p> AVERTISSEMENT UV emis par ce produit. Une irritation des yeux ou de la peau peut résulter de l'exposition. Utiliser un blindage approprié.</p>	Indicates UV Risk Group 1.

はじめに

この度はUVインクジェットプリンター UCJV300シリーズ, 150シリーズをお買い上げいただきまして、誠にありがとうございます。

安全に正しくお使いいただくために、安全上のご注意（以後、本書と称します）をよくお読みいただき、十分に理解してから使用してください。

本書で使用しているイラストは、機能や手順、操作の説明を目的としており、本機と異なる場合があります。あらかじめご了承ください。

本書の内容を無断で転載することは禁止されています。

© 2017 株式会社ミマキエンジニアリング

● 免責事項

- UCJV300シリーズ, 150シリーズ（以後、本機と称します）の故障有無に関わらず、本機をお使いいただいたことによって生じた直接、または間接的な損害に対して、当社は一切の責任を負いません。
- 本機により作成された製作物に対して生じた直接、または間接的な損害に対して、当社は一切の責任を負いません。
- 弊社推奨品以外の装置などを使用すると、火災、または本機の破損事故のおそれがあります。この場合には保証の対象外となります。また、それに対して生じた直接、または間接的な損害に対して、当社は一切の責任を負いません。
- 弊社純正インク、メンテナンス液をご使用ください。それ以外を使用すると、プリント品質の低下、本機の故障のおそれがあります。この場合には保証の対象外となります。また、それに対して生じた直接、または間接的な損害に対して、当社は一切の責任を負いません。
- インクボトルのインクを詰め替えないでください。この場合には保証の対象外となります。また、それに対して生じた直接、または間接的な損害に対して、当社は一切の責任を負いません。
- 弊社純正不凍液をご使用ください。それ以外の不凍液を使用すると、冷却装置が故障するおそれがあります。この場合には保証の対象外となります。また、それに対して生じた直接、または間接的な損害に対して、当社は一切の責任を負いません。
- UV-LEDユニット、UV電源装置は、弊社純正品以外は絶対に使用しないでください。弊社純正品以外を使用すると、本機の故障、感電、火災のおそれがあります。この場合には保証の対象外となります。また、それに対して生じた直接、または間接的な損害に対して、当社は一切の責任を負いません。

● テレビ、ラジオの受信障害について



- 本機稼働中は、高周波が発生しています。不適切な条件下で使用した場合、テレビやラジオの受信障害が発生するおそれがあります。特殊なテレビやラジオに対して、保証していません。

テレビやラジオの受信障害が発生したら、本機の電源を切ってから、テレビやラジオの受信状態をご確認ください。電源を切って受信障害が解消すれば、本機が原因と考えられます。

次の手順のいずれか、またはいくつかを組み合わせることで試してください。

- テレビやラジオのアンテナの向きを変えて、受信障害の発生しない位置を探してください。
- テレビやラジオは、本機から離れた場所に設置してください。
- テレビやラジオは、本機が接続している電源供給経路とは別のコンセントに接続してください。

● 電波障害自主規制

本機は、VCCIクラスA情報技術装置です。本機を家庭で使用すると電波妨害を引き起こすおそれがあります。この場合には使用者が適切な対策を講ずるよう要求されることがあります。 VCCI-A

● FCC（Federal Communications Commission）規制

本機はテストの結果、FCC規制パート15によるクラスAデジタル製品の制限に準拠していることが証明されています。これらの制限は、プリンタを商業環境で使用するとき有害な干渉から適切な保護を提供するように設計されています。

本機は、無線周波エネルギーを生成、使用、放射する可能性があり、取扱説明書にしたがって設置および使用されない場合、無線通信に有害な干渉を引き起こす可能性があります。

居住地域での本機の操作は有害な干渉を引き起こす可能性があります、その場合ユーザーは自分の費用で干渉を修正する必要があります。



- 本機に接続するケーブルは、弊社推奨品を使用してください。これに反する場合は、FCC規則で規定されている制限値を超えることがあります。これを防ぐため、本機を接続するにはミマキ推奨ケーブルを使用する必要があります。
-


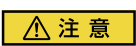




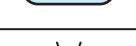
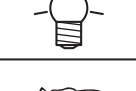

● 使用上の制限について

UCJV300シリーズ, 150シリーズはIEC62471/IECTR62471-2 に従ったRisk Group1 に分類されます。

安全にお使いいただくために

シンボルマーク表示について

本書では、シンボルマーク表示により操作上の注意内容を説明しています。各マークの持つ意味を十分理解して、本機を安全に正しくお使いください。

内 容		
	警告	この指示を無視して誤った取り扱いをすると、死亡、または重傷のおそれがある内容を示しています。
	注意	この指示を無視して誤った取り扱いをすると、軽傷、または中程度の負傷のおそれがある内容を示しています。
	注記	この指示を無視して誤った取り扱いをすると、財産の損害が発生するおそれがある内容を示しています。
	一般警告	注意しなければならない事項を示しています。具体的な警告内容は、マークの中に描かれています。
	一般強制指示	実行しなければならない事項を示しています。具体的な強制指示内容は、マークの中に描かれています。
	一般禁止	してはいけない事項を示しています。具体的な禁止内容は、マークの中に描かれています。
	重要	本機をお使いいただく上で、知っておいていただきたい事項を示しています。
	ヒント	知っておくと便利な事項を示しています。
	参照情報	関連する内容の参照ページを示しています。

使用上の警告と注意

● 異常事態が発生したら

⚠ 警告



- 万一、煙が出ていたり、変な臭いがしたりするなどの異常事態が発生したら、直ちに主電源を切って電源ケーブルを抜いてください。そのまま使用すると、本機の故障や感電、もしくは火災につながるおそれがあります。煙が出なくなるのを確認してから、販売店、お近くの弊社営業所、またはコールセンターにお問い合わせください。お客様による修理は、危険ですから絶対にしないでください。

⚠ 注意



- インクやメンテナンス液、廃インク、そのほか本機で使用されている液体が皮膚に付着してしまったときは、直ちに布などでふき取ってください。そのあと石鹸を使用して、大量の水で洗い流してください。インクが付着したまま放置すると、皮膚が炎症をおこす原因になります。皮膚に刺激や痛みを感じたときは、速やかに医師の診断を受けてください。
- インクやメンテナンス液、廃インク、そのほか本機で使用されている液体が目に入ってしまったときは、直ちに大量の清浄な流水で15分以上洗い流してください。コンタクトレンズを着用していて、容易に外せる場合は、清浄な流水で15分以上洗い流したあとに外してください。また、まぶたの裏まで完全に洗ってください。インクが付着したまま放置すると、失明や視力が低下する原因になります。目に刺激や痛みを感じたときは、速やかに医師の診断を受けてください。
- インクやメンテナンス液、廃インク、そのほか本機で使用されている液体が口に入ってしまったら、飲み込んでしまったりしたときは、無理に吐かせないで直ちにうがいをし、速やかに医師の診断を受けてください。無理に吐かせると、吐いたものが気管に入ってしまうおそれがあります。
- 蒸気を大量に吸い込んでしまったときは、新鮮な空気のある場所に移動して、暖かくして呼吸しやすい姿勢で安静にしてください。症状が改善しない場合は、速やかに医師の診断を受けてください。
- すぐに医師の診断を受けられない場合は、（財）日本中毒情報センター 中毒110番に相談してください。
（大阪）072-727-2499 24時間対応
（つくば）029-852-9999 9～21時対応

注記



- インクが漏れてしまったときは、すぐに主電源を切って電源ケーブルを抜いてください。そのあと、販売店、お近くの弊社営業所、またはコールセンターにお問い合わせください。

● 電源に関するご注意

⚠ 警告



- 付属の電源ケーブルを使用してください。本機の故障や感電、もしくは火災につながるおそれがあります。なお、本機以外の電気機器には使用できません。
- 電源ケーブルを抜くときは、必ずプラグを持って抜いてください。電源ケーブルを引っ張るとケーブルが破損して、本機の故障や感電、もしくは火災につながるおそれがあります。
- 電源プラグにホコリなどが付着したまま使用しないでください。本機の故障や感電、もしくは火災につながるおそれがあります。
- 電源プラグの刃に金属などが触れないようにしてください。本機の故障や感電、もしくは火災につながるおそれがあります。
- 電源ケーブルを傷つけたり、加工しないでください。また、重い物をのせたり、加熱したり、引っ張ったりしないでください。電源ケーブルが破損して、感電や火災につながるおそれがあります。
- 延長コードの使用やタコ足配線をしないでください。本機の故障や感電、もしくは火災につながるおそれがあります。
- 電源ケーブルの破損や芯線の露出、断線などが見られる場合は使用しないでください。本機の故障や感電、もしくは火災につながるおそれがあります。
- 濡れた手で電源プラグを抜き挿ししないでください。感電のおそれがあります。

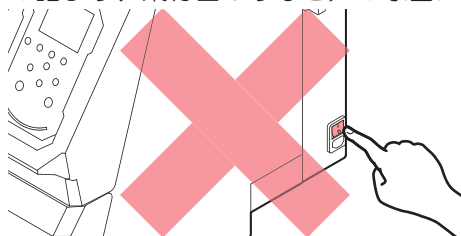


- 電源ケーブルのプラグは、接地（アース）極性付きのコンセントに接続してください。本機の故障や感電、もしくは火災につながるおそれがあります。
- コンセントの増設には、感電事故防止のため接地（アース）工事が必要です。必ず電気工事士の免許を持った人が電気工事（C種接地工事（特別第3種接地工事））をしてください。

注記



- 主電源を切らないでください。主電源を切っていると、オートメンテナンス機能（ノズル詰まり防止機能やインク排出経路の清掃機能など）が実行することができません。吐出不良（ノズル詰まり、飛行曲がりなど）の原因になります。



- 本機は指定された電源仕様で使用してください。
- 電源ケーブルは、必ず本機の近くにある電源コンセントに接続してください。また、電源プラグの刃を根元まで確実に挿し込んでください。
- 電源ケーブルを接続する際には、電源コンセントの入力電圧、ブレーカーの容量を確認してください。また、それぞれのケーブルはブレーカーが独立している別の電源に接続してください。同じブレーカーにつながっているコンセントに接続すると、ブレーカーが遮断する原因になります。

● 可動部に注意してください

⚠ 注意



- ・顔や手など体の一部を可動部に近づけないでください。また作業の妨げになるような服装（ダブついた服装、装飾品など）で、本機に近づかないでください。ケガをするおそれがあります。



- ・長い髪の毛は束ねてください。ケガをするおそれがあります。

● 分解、改造はしないでください

⚠ 警告



- ・本機を分解したり、改造したりしないでください。本機の故障や感電、もしくは火災につながるおそれがあります。

● カッターの取り扱いについて

⚠ 注意



- ・カッターの刃先を触らないでください。ケガをするおそれがあります。
- ・カッティングホルダーは振らないでください。刃先が飛び出すおそれがあります。

● 紫外線（UV）、UV-LEDユニットについて

⚠ 警告



- ・UV-LEDユニットの下に可燃物を置いたり、紙や布でUV-LEDユニットを覆ったりしないでください。発火や発煙のおそれがあります。
- ・UV-LEDユニットから、微量の紫外線が漏れてしまうことがあります。目や皮膚に紫外線を浴びないように、UV遮光メガネや遮光面、マスク、手袋、長袖の服を着用してください。
 - (1) 皮膚に紫外線を浴びると、炎症を起こすおそれがあります。炎症を起こさない場合でも、長期間、または反復暴露によって慢性障害に発展するおそれがあります。
 - ⇒ 急性障害：炎症など
 - ⇒ 慢性障害：皮膚がん、シワ、シミなど
 - (2) 点灯中のライトを肉眼で見た場合、目の痛みや視力障害を起こすおそれがあります。目の痛みを起こさない場合でも、長期、または反復暴露によって慢性障害に発展するおそれがあります。
 - ⇒ 急性障害：紫外線角膜炎、結膜炎、異物感、とう痛、涙が流れるなど
 - ⇒ 慢性障害：翼状片、白内障など

⚠ 注意



- ・UV-LEDユニットは非常に高温になります。LEDが消灯して十分温度が下がるまで、手を触れないように注意してください。



- ・UV-LEDユニットの光を皮膚や目に直接、または間接的にあてないでください。UV-LEDユニットは、紫外線（UV）を発生させています。光を皮膚や目に紫外線を浴びると、炎症を起こすおそれがあります。



- ・必ず付属のUV遮光メガネを着用してください。目が痛くなったり、視力障害を起こしたりするおそれがあります。

注記



- UV-LEDユニットに無理な力を加えたり、キズをつけたりしないでください。変形や故障の原因になります。
- UV-LEDユニットの下面についているガラスは、素手で触れないでください。UV インクの硬化が低下する原因になります。汚れが付着したときは、エタノールを含ませた清潔な柔らかい布で拭いてください。その際、カバーや他の部品にエタノールを付着させないように注意してください。変形や故障の原因になります。

● その他、使用上の警告と注意

⚠ 警告



- 本機に子供を近づけないでください。

注記



- クランプレバーが下がっている（メディアが保持されている）ときは、メディアを強く引っ張らないでください。本機が故障する原因になります。



- **重要!** プリント済みメディアの保管状態（巻き取ったメディアの平置きによる荷重など）やメディアの種類によって、メディア裏面に裏移りしてしまうことがあります。事前にテストをして、裏移りしないかどうかを確認してください。

● 本機の廃棄について

⚠ 注意



- 販売店、またはサービス実施店にご相談ください。
- お客様自身で廃棄するときは、産業廃棄物処理業者、または関連法規、および地方自治体の条例に従って処理してください。

インクやその他本機で使用されている液体を取り扱うときの注意事項

インクやメンテナンス液、そのほか本機で使用されている液体の容器に、液体に関する注意書きが添付されています。よくお読みいただき、十分に理解してから使用してください。



- 取り扱い前に必ず安全データシート（SDS）をご覧ください。<https://japan.mimaki.com/supply/sds/>

⚠ 注意



- インクやメンテナンス液、廃インク、そのほか本機で使用されている液体を取り扱うときは、換気に十分注意して、必ず保護メガネ、手袋、マスクなどを着用してください。インクなどの液体が跳ねて、皮膚に付着したり、目や口の中に入ったおそれがあります。



- 不凍液は、弊社専用の不凍液をご使用ください。それ以外の不凍液を使用されると、冷却ユニットが故障するおそれがあります。
- 静電気・衝撃火花による着火源が生じないように注意してください。
- 不要となった不凍液は以下の方法で処分してください。
 - (1) おがくず、ウェスなどに吸着させて、焼却炉で焼却する。
 - (2) 免許を持った産業廃棄物処理業者に内容を明確にして処理を委託する。



- インクが入っているケースに強い衝撃を与えたり、激しく振り回したりしないでください。またインクを詰め替えないでください。インクが漏れて皮膚に付着したり、目や口の中に入ったおそれがあります。



- インクが入っているケースを分解しないでください。インクが漏れて、皮膚に付着したり、目や口の中に入ったおそれがあります。



- インクやメンテナンス液、そのほか本機で使用されている液体を子供が立ち入るおそれのある場所に保管しないでください。



- インクやメンテナンス液、そのほか本機で使用されている液体、インクなどが付着した容器や不織布などを廃棄するときは、産業廃棄物処理業者、または関連法規、および地方自治体の条例に従って処理してください。

注記



- インクやメンテナンス液、そのほか本機で使用されている液体を直射日光が当たる場所に保管しないでください。
- インクやメンテナンス液、そのほか本機で使用されている液体を金属切削液や揮発性の高い物質（アミン類、アミン変性アルコール類など）が充満している場所に保管しないでください。そのような場所に保管すると、故障や吐出不良（ノズル詰まり、飛行曲がりなど）の原因になります。
- インクやメンテナンス液、そのほか本機で使用されている液体は、他のプリンターで使用しないでください。故障の原因になります。



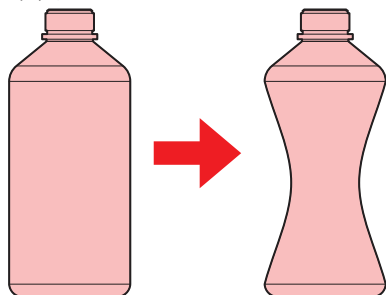
- 床から1m以内の低い場所に保管してください。落下したときに液体が飛散するおそれがあります。
- 密閉した状態で保管してください。
- 冷暗所で保管してください。
 - (1) インクが凍結しない環境での保管をしてください。解凍したインクを使用すると、インクの成分が変質してプリント品質が低下するおそれがあります。
 - (2) 寒い所から暖かい所に移したインクは、本機と同じ環境に3時間以上放置してから利用してください。
 - (3) インクは使用直前に開封して、早めに使い切ってください。開封してから長時間経過したものは、プリント品質が低下するおそれがあります。



- インクICチップの金属部分には触れないでください。静電気でインクICチップが破損したり、汚れや傷などによってインクICチップが読み取りエラーになる原因になります。



- 種類の違うインクICチップでは、プリントすることができません。
- 本機にセットしているインクボトルがへこんでしまっても、使用上問題ありません。



インク消費有効期限に対する本機の制限について

例) 消費有効期限の記載が、20xx年4月の場合

- 同年5月：新しいインクに交換する、もしくは早めに使い切ってください。プリントすることは可能です。
- 同年6月：新しいインクに交換する、もしくは早めに使い切ってください。プリントすることは可能です。
- 同年7月：プリントすることができません。



- ディスプレイにメッセージを表示してお知らせします。



- インクの容器にインクの消費有効期限が記載されています。インクの消費有効期限を超えると、インクの吐出不良が生じたり、色みに変化を生じたりするおそれがあります。消費有効期限を超えてもプリントすることはできますが、新しいインクに交換する、もしくは早めに使い切ることをお勧めします。

設置上のご注意

⚠ 警告



- 火気のある場所に本機を設置しないでください。
- 本機の上や近くに花瓶、植木鉢、コップ、化粧品、化学薬品、水などの入った容器、または小さな金属物を置かないでください。本機内部に浸入すると、本機の故障や感電、もしくは火災につながるおそれがあります。



- 湿気の多い場所や水のかかる場所に本機を設置しないでください。本機の故障や感電、もしくは火災につながるおそれがあります。



- 本機を子供が立ち入るおそれのある場所に設置しないでください。

⚠ 注意



- 換気の悪い部屋、もしくは密閉された部屋に本機を設置する場合は、必ず換気装置を設けてください。
- 排気口施工については、必ず以下の内容をお守りください。
 - (1) 排気口の設置は、各国の地域のEHS（Environmental, Health and Safety）ガイドラインにしたがってください。
 - (2) 排気口に閉鎖弁などを設置した場合、本機使用中は必ず閉鎖弁を開けてください。

注記



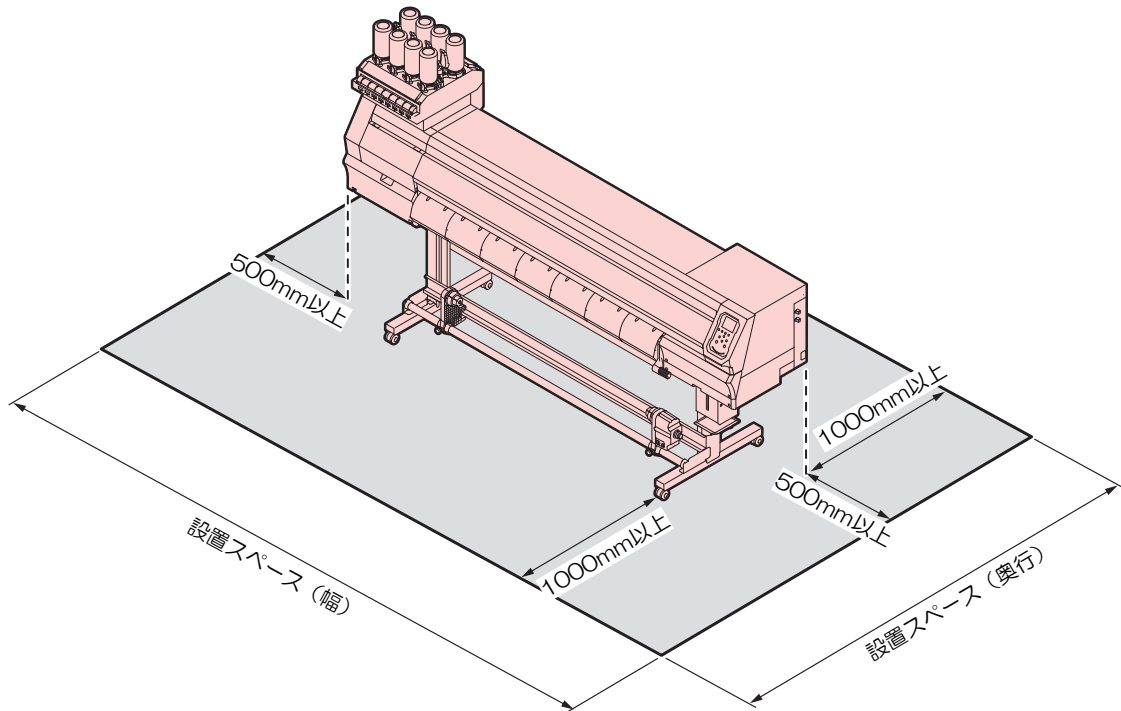
- ホコリや粉じんのある場所に本機を設置しないでください。本機の内部に浸入すると、故障や吐出不良（ノズル詰まり、飛行曲がりなど）の原因になります。
- エアコンなどの風が当たる場所に本機を設置しないでください。本機の内部にホコリや粉じんなどが浸入するおそれがあります。
- 不安定な場所や振動が発生する場所に本機を設置しないでください。故障や吐出不良（ノズル詰まり、飛行曲がりなど）の原因になります。
- 直射日光が当たる場所に本機を設置しないでください。
- 温度変化が激しい場所に本機を設置しないでください。故障や吐出不良（ノズル詰まり、飛行曲がりなど）の原因になります。
- ノイズを発生する大型の機械が置いてある場所に本機を設置しないでください。
- 写真定着材の蒸気や酸性（酢酸、塩酸など）の気体が発生していたり、金属切削液や揮発性の高い物質（アミン類、アミン変性アルコール類など）が充満してたりする場所に本機を設置しないでください。そのような環境下に設置すると、プリントヘッド表面のインクが固まり、故障や吐出不良（ノズル詰まり、飛行曲がりなど）の原因になります。



- 動作可能環境：20~30 °C（68~86 °F）、35~65% Rh（結露なきこと）
- 精度保証温度：20~25 °C（68~77 °F）

設置スペース

メディアやインクの交換を安全に正しく行うためには、以下のスペースが必要です。



項目	UCJV300-160	UCJV300-130	UCJV300-107	UCJV300-75	UCJV150-160
幅 ^{*1}	3,900 mm以上 (2,900 mm)	3,650 mm以上 (2,650 mm)	3,380 mm以上 (2,380 mm)	3,090 mm以上 (2,090 mm)	3,900 mm以上 (2,900 mm)
奥行き ^{*1}	2,776 mm以上 (776 mm)				
高さ ^{*1,*2}	(1,475 mm)				
重量	188 kg	177 kg	161 kg	144 kg	183 kg

*1. () 内は、本機のサイズ

*2. インクボトルの高さを除く

本機を移設したいとき

販売店、お近くの弊社営業所、またはコールセンターにお問い合わせください。お客様が本機を移設すると、故障や破損のおそれがあります。

本機を移動したいとき

本機は移動しないでください。やむを得ず移動する場合は、段差のない同一フロア内での移動のみとしてください。



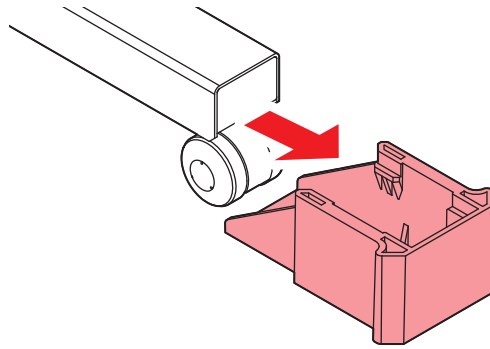
• 手順を十分に理解してから、移動させてください。



• カバーを押して移動しないでください。カバーが破損する原因になります。

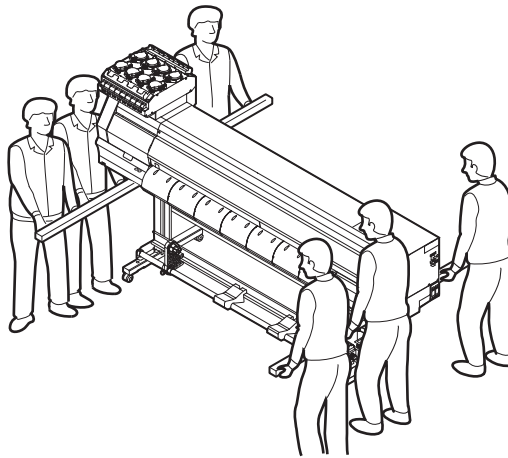
1 本機下面についている、搬送ステーを取り付ける。

2 キャスターブロックを取り除く。

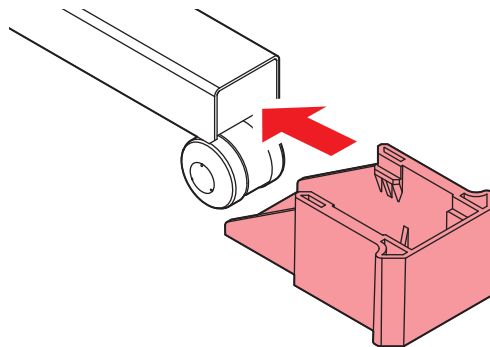


3 搬送ステーを持って、移動する。

- 必ず6人以上で移動をしてください。また、各国の規定に準じて移動してください。



4 キャスターブロックを取り付ける。



5 搬送ステーを取り外す。

6 本体底面に、搬送ステーを取り付ける。

7 テストプリントをしてノズル詰まりがないかどうかを確認してください。

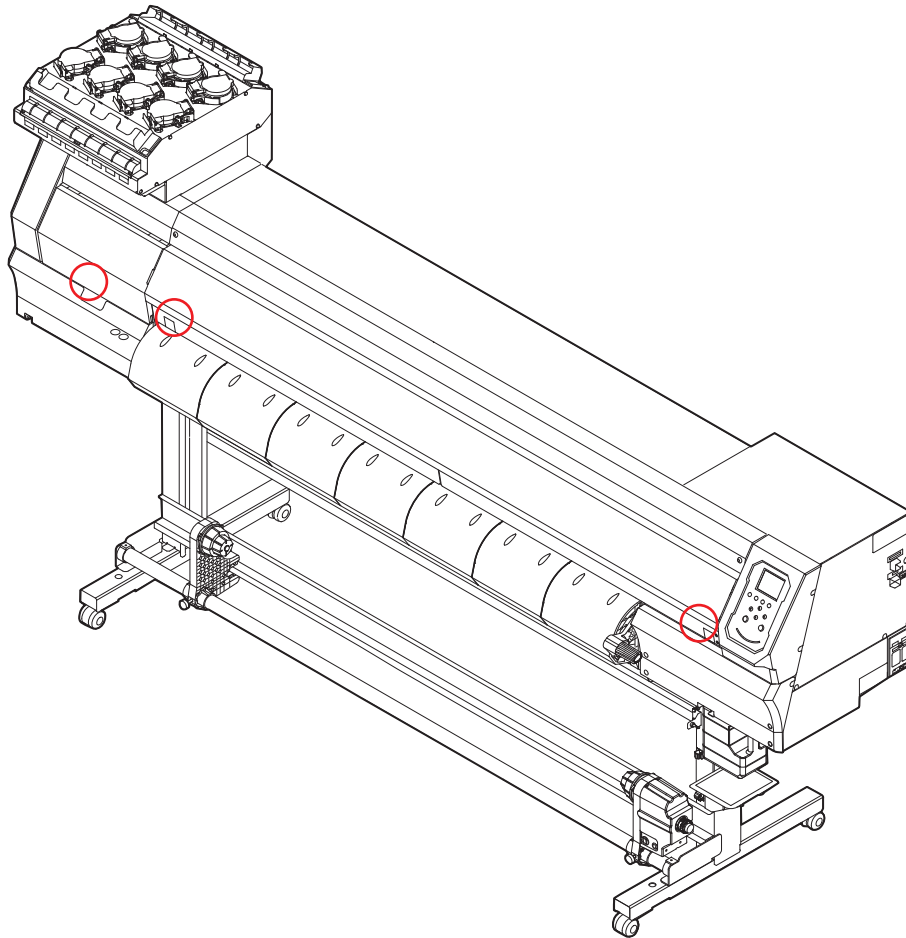
8 プリント前にフィード補正とドット位置補正をしてください。

安全インターロックについて

本機は安全にご使用いただくため、インターロックが設置されています。

プリント実行中にカバーを開けるとプリントが中断されます。再度RIPデータの受信が必要になります。

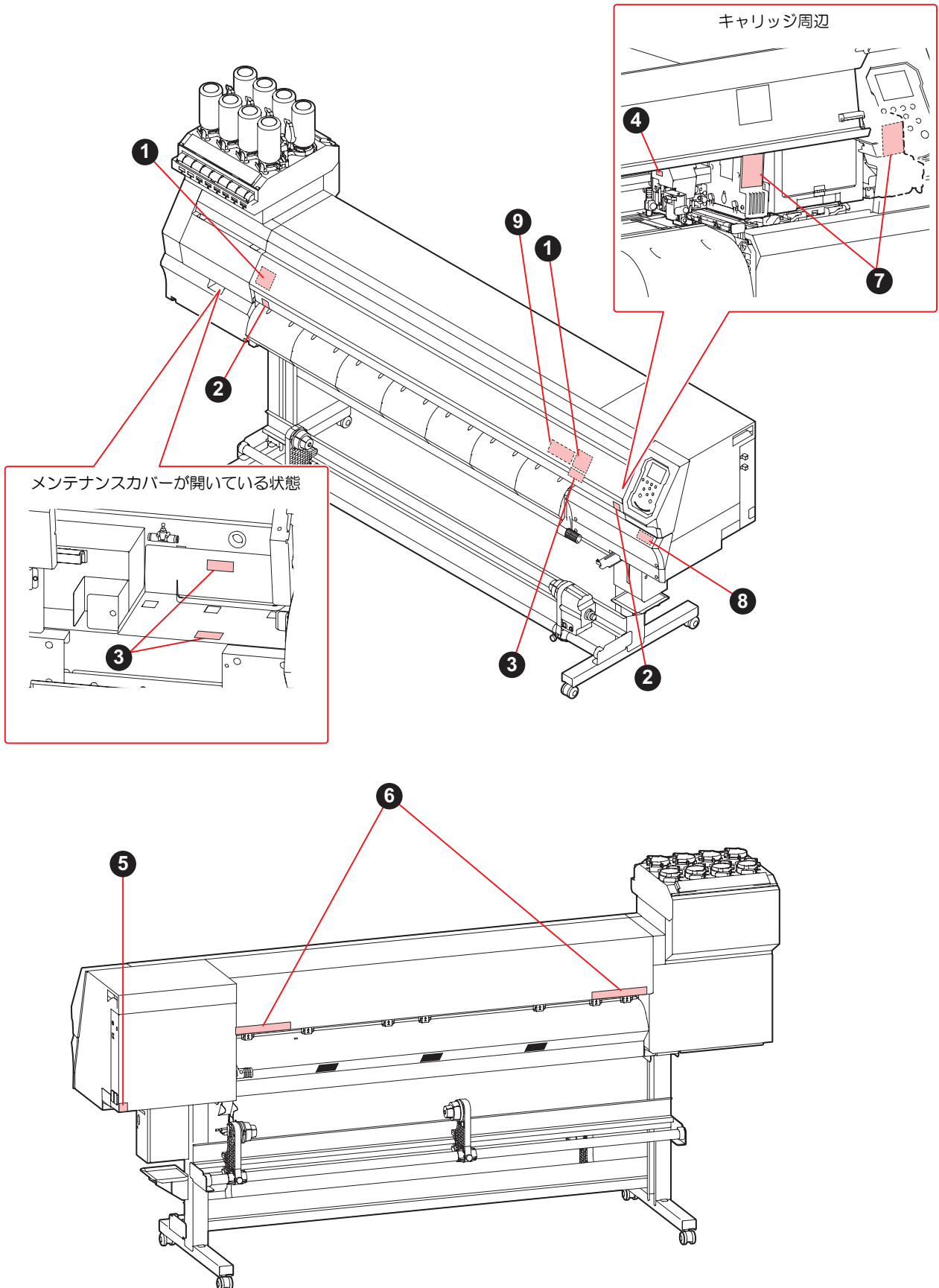
- インターロック設置場所



警告ラベル

警告ラベルの内容を十分理解してください。

警告ラベルが汚れて読めなくなったり、剥がれたりした場合は、販売店、またはお近くの弊社営業所で、新しい警告ラベルをお買い求めください。



No.	注文番号	ラベル	内容
1	M910931		カバーの開閉に注意してください。手を挟むとケガをするおそれがあります。
2	M907833		危険な可動部を示しています。
3	M903330		作業中に保護メガネや手袋を着用してください。
4	M903405		カッターに注意してください。
5	M907935		危険な電圧部を示しています。
6	M905811		危険な可動部を示しています。
7	M913419		紫外線に注意してください。
8	M905935		ピンチローラーのレバーを触らないでください。
9	M920102	<p>RISK GROUP 1 / GROUPE DE RISQUE 1</p> <p> WARNING UV emitted from this product. Eye or skin irritation may result from exposure. Use appropriate shielding.</p> <p> AVERTISSEMENT UV emis par ce produit. Une irritation des yeux ou de la peau peut résulter de l'exposition. Utiliser un blindage approprié.</p>	UVリスクグループ1を示しています。

MEMO



MEMO

