

## Washing the Ink Discharge Passage

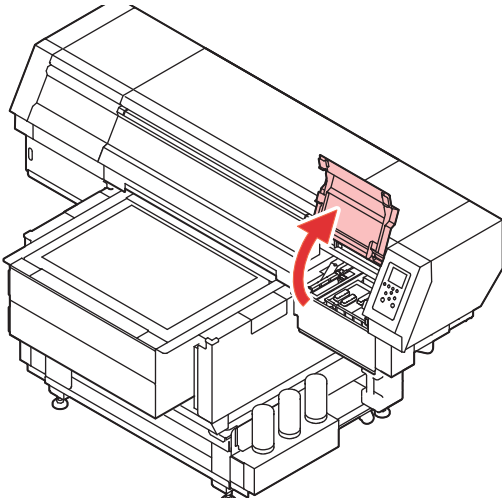
Wash the ink discharge passage regularly (about once a week) to prevent the head nozzles from clogging due to ink coagulation inside the passage.

**1** Press the **FUNC1** (MENU)  $\rightarrow$  **▼** (4 times)  $\rightarrow$  **ENTER** key in LOCAL.

**2** Press the **ENTER** key.  
• “STATION” will be displayed.

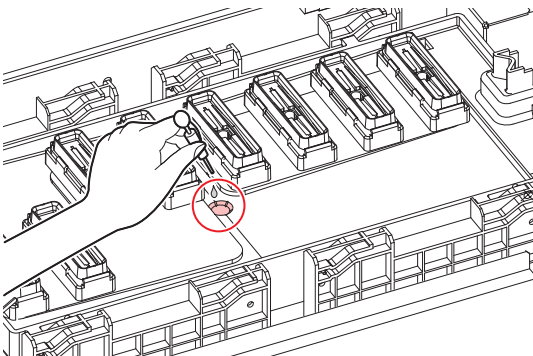
**3** Press **▲** **▼** to select “DISWAY WASH”, and press the **ENTER** key.  
• “DISWAY WASH” will be selected and the carriage will move.

**4** Open the right front cover.



**5** Put a maintenance cleaning liquid into the ink discharge passage.

- Using a pipette, put 20 cc of a maintenance cleaning liquid into the passage through the hole in the center of the cap slider.



**6** Close the front cover and press the **ENTER** key.