

## If a Waste Ink Tank Confirmation Message Appears

Ink used in head cleaning, etc. is stored in the waste ink tank on the lower right side of the machine. This machine counts the accumulated amount of discharged ink. When that reaches a specified amount, the machine displays a confirmation message. Use it as a guide for replacing the waste ink tank.



- The message is displayed when it reaches 80% (1.3L) of the 1.6L tank.

## Confirmation Message in LOCAL mode

**1** The warning message “Check waste ink” is displayed.

**2** Empty the waste ink tank according to “Discard waste ink” (P.4-23).

- When it is different from the actual amount, press [▲][▼] and correct.

**Important!**

- Check the waste ink level in the waste ink tank frequently. Continuing to use the product without disposing of the waste ink may result in waste ink overflowing from the waste ink tank.

## Discard waste ink

When the warning message “Check waste ink” is displayed on the display, please discard waste ink according to the following procedure.

**1** Press **FUNC1** (MENU) in the local mode

**2** Press **▲** **▼** to select “Maintenance”, then press the **ENTER** key

- Maintenance menu is displayed.

**3** Press the **ENTER** key.

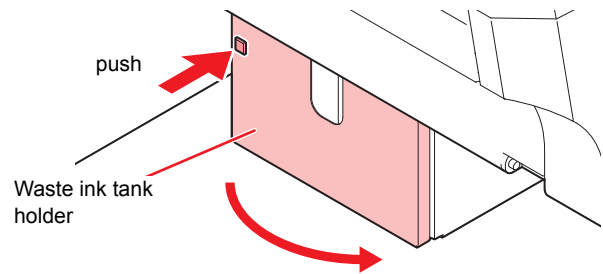
- “STATION” will be selected.

**4** If your model is UJF-3042MkII/3042MkII EX/6042MkII, Press **▲** **▼** to select “WASTE TANK”, then press the **ENTER** key.

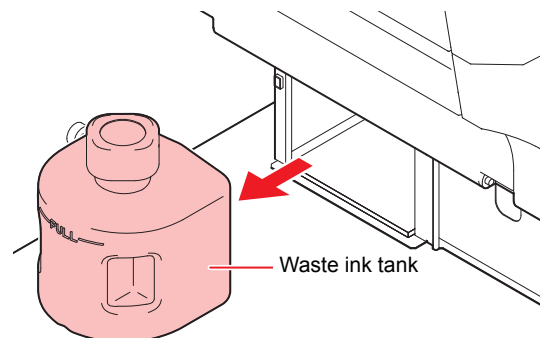
If your model is UJF-3042MkII e/3042MkII EX e/6042MkII e, Press **▲** **▼** to select “Reset Waste Ink Volume”, then press the **ENTER** key.

**5** Remove the waste ink tank.

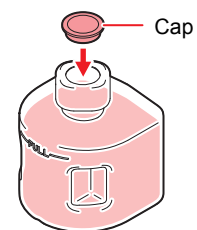
- (1) Press the protrusion on the waste ink tank box.
- The magnet is released and the door open.



- (2) By holding the waste ink tank, pull the tank to remove.

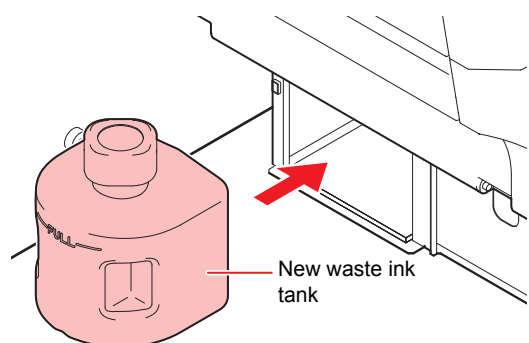


- Put a cap on the waste ink tank removed.



**6** Replace the waste ink tank.

- (1) Prepare a new waste ink tank (SPA-0173).  
(2) Insert the waste ink tank by holding a handle of the tank.



- Waste ink is equivalent to waste oil of industrial waste. Request an industrial waste disposal company for disposal of waste ink.

**7** Press the **ENTER** key.

- The ink discharging amount that is controlled by the machine is reset and the message is cancelled.