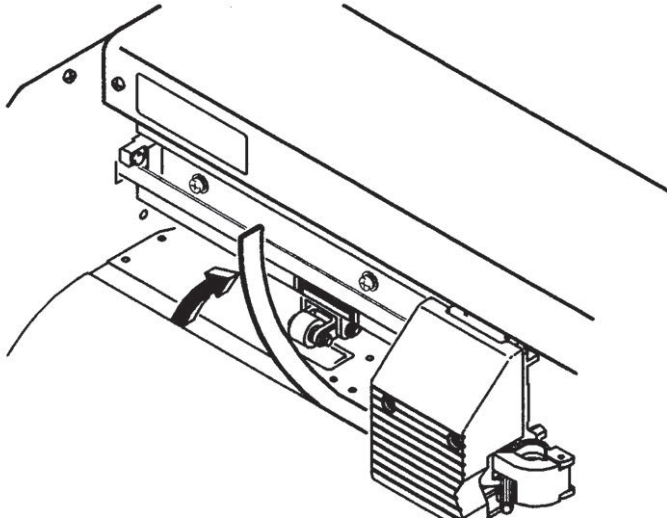


Replacement of a pen line rubber



1. Remove a pen line rubber with tweezers.
In case gummed two-sided tape adheres to the plotter, wipe off the tape with alcohol.
2. Put an attached two-sided tape on the plotter groove.
3. Put a new pen line rubber flattened on the two-sided tape.