

Replacing consumables

(When using rubber wiper) Replace the wiper/wiper absorber.

The wiper and the wiper absorber are consumable. When the display indicates the warning message “!REPLACE WIPER/ABSORBER”, it is necessary to check and replace the wiper and wiper absorber immediately with a new one.

Also, wipe ink sticking to the lower surface of the slider off.

Important!

- When the warning message for replacing wiper is shown, confirm whether there is no damage and fuzz at the top edge of the wiper film. If there is no damage on the top edge of the wiper film, it is possible to use the wiper continuously without replacing it. Also, if ink is not accumulated in the wiper absorber, use it as it is.
- A cleaning wiper is an option. Please buy one through the dealer in your region or at our service office.

1 Press the **FUNC1** (MENU) in LOCAL mode.

2 Press **▲▼** to select “MAINTENANCE”, and press the **ENTER** key.

- MAINTENANCE MENU will be displayed.

3 Press the **ENTER** key.

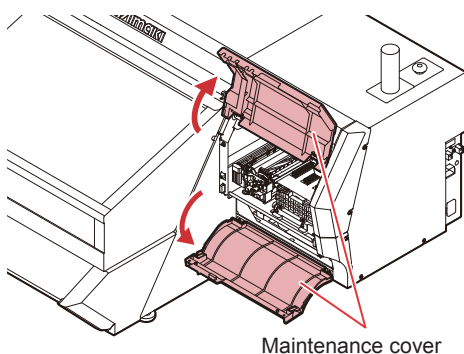
- “STATION” will be selected.

4 Press **▲▼** to select “Replace WIPER”, and press the **ENTER** key.

5 Press the **ENTER** key.

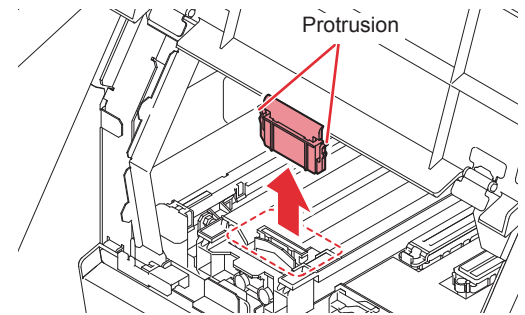
- The carriage moves to the left. Also the wiper moves to the front.

6 Open the right maintenance cover.



7 Remove the wiper.

- Pull out the wiper by holding the protrusions at its both ends.

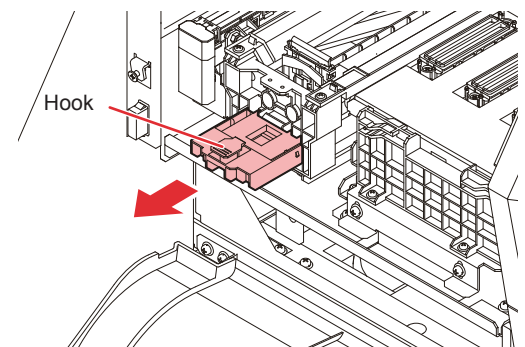


8 Insert a new wiper.

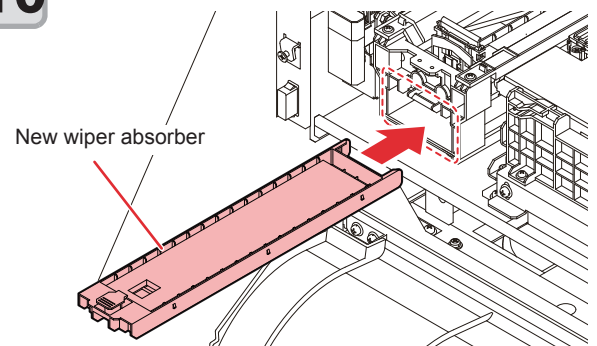
- Insert the wiper by holding the protrusions at its both ends.

9 Remove the wiper absorber.

- To remove the absorber, push the hook down and pull out the absorber.



10 Install the new wiper absorber.



11 Close the maintenance cover, and press the **ENTER** key.

- After its initial operation, the machine returns to LOCAL.