

## Waste Ink Tank Replacement

Ink used during head cleaning and other processes is collected in the waste ink tank at the lower right of the machine.

This product keeps track of the waste ink level. A "Check Waste Ink Tank" message appears when the preset level is reached. Use this a guide for replacing the waste ink tank.



- For a 2-liter tank, the preset level is 80 % (1.6 L).
- Continuing to use the product without disposing of the waste ink may result in waste ink overflowing from the waste ink tank. Visually check ink levels in the waste ink tank about once a week.

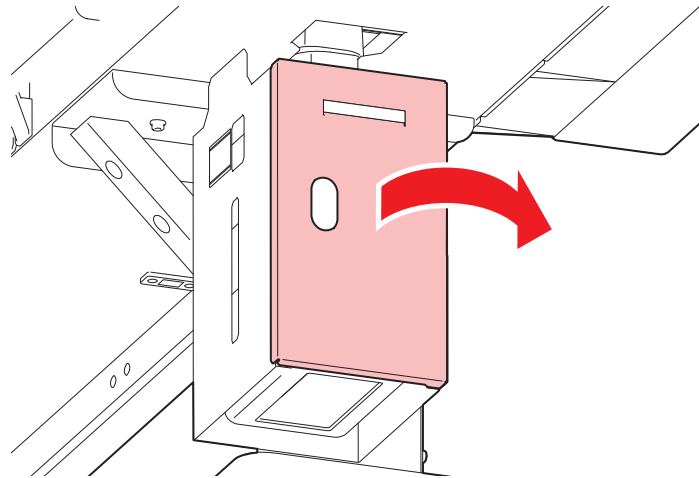
**1** On the LOCAL mode screen, select [MENU] > [Maintenance], then press the [ENTER] key.

- The Maintenance menu is displayed.

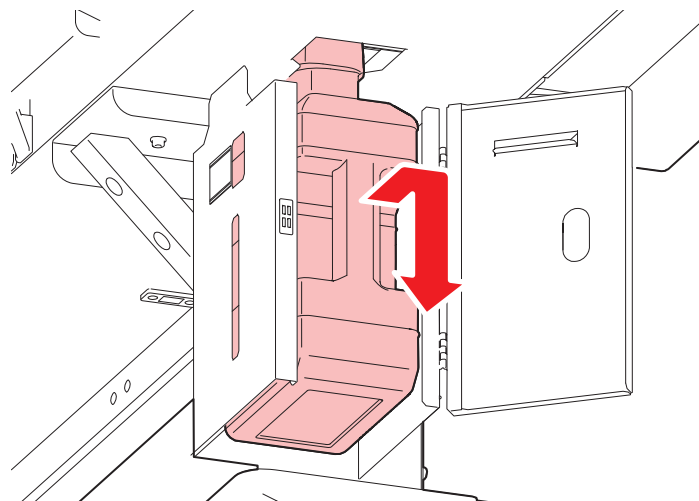
**2** Select [Replace Wasteinktank], then press the [ENTER] key.

- "Replace Wasteinktank Level: 80 % (1.6 L)" appears on the display.

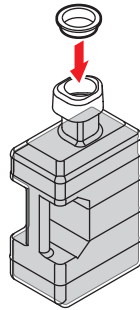
**3** Open the waste ink tank cover.



**4** Hold the handle on the waste ink tank and slide out.

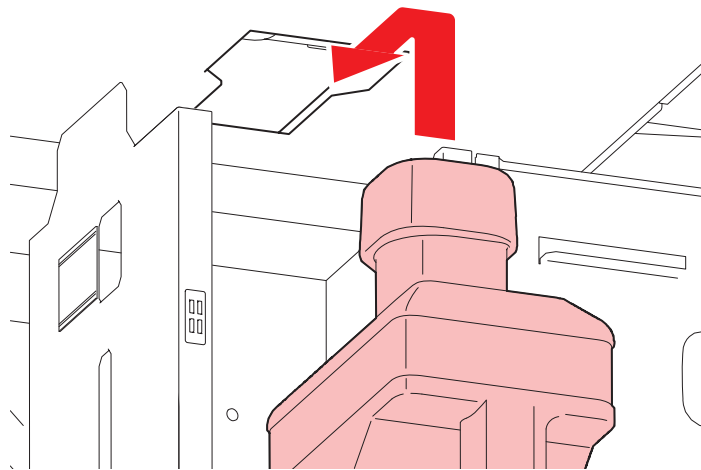


**5** Attach the cap to the removed waste ink tank, and use tape to prevent leakage of waste ink.

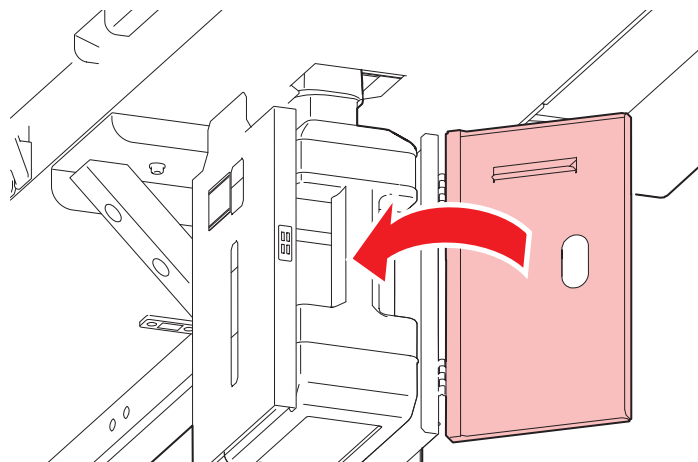


- When disposing of the product, contact an industrial waste disposal operator or dispose of the product in accordance with the local laws and regulations.

**6** Mount a new waste ink tank.



**7** Close the waste ink tank cover.



**8** Press the [ENTER] key.

- The waste ink level will be reset.