

If a Waste Ink Tank Confirmation Message Appears

Ink used in head cleaning, etc. is stored in the waste ink tank on the lower right side of the machine. This machine counts the accumulated amount of discharged ink. When that reaches a specified amount, the machine displays a confirmation message. (When this message is displayed, consider the replacement of the waste ink tank.)



- The message is displayed when it reaches 80% (1.6L) of the 2L tank.

Confirmation Message in LOCAL

1 The warning message “Check waste ink” is displayed.

2 Check the state of the waste ink tank

- When it is different from the actual amount, press [▲][▼] and correct.
- When you correct (80%), press the [ENTER] key to return to LOCAL.
- When you replace (disposal) and clear the count, perform the procedures in “Replace the waste ink tank with another”. (P.5-19)

Important!

- Check the waste ink level in the waste ink tank frequently. Continuing to use the product without disposing of the waste ink may result in waste ink overflowing from the waste ink tank.

Replace the waste ink tank with another

1 The warning message “Check waste ink” is displayed.

2 Press the **FUNC1 (MENU)** → **▼** → **ENTER** key in LOCAL.

- MAINTENANCE MENU will be displayed.

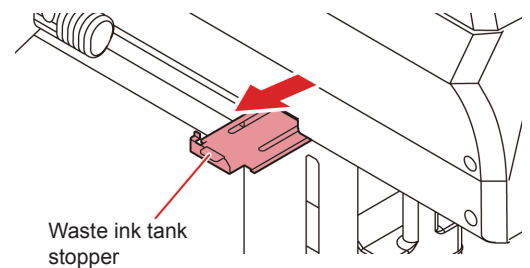
3 Press **▲** **▼** to select “**INK TANK EXCHANGE**”, and press the **ENTER** key.

4 If the amount of waste ink needs to be adjusted, press the **ENTER** key.

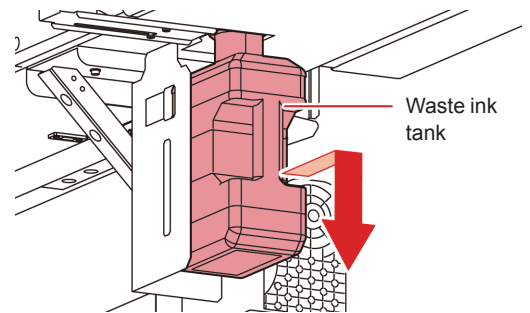
- Compare the amount of waste ink shown on the display and the amount you visually confirmed. If there is no major problem with the value shown on the display, instead of the [ENTER] key, press the [END] key and proceed to Step 6.

5 Press **▲** **▼** to adjust the level, and press the **ENTER** key.

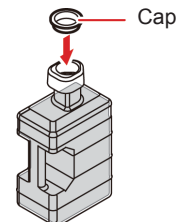
6 Pull the waste ink tank stopper to open to the front.



7 Pull it frontward to remove by holding the waste ink tank handle.

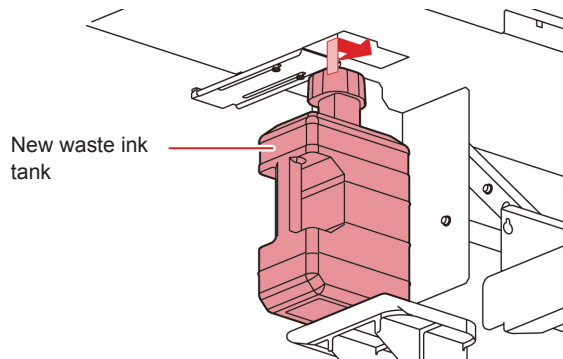


- Put a cap on the waste ink tank removed.

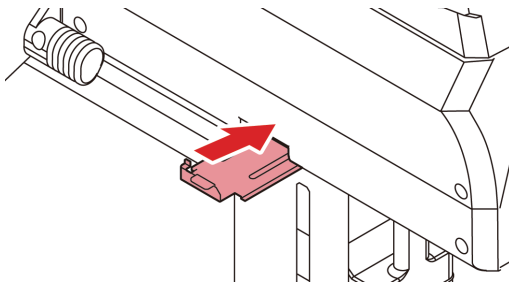


8**Replace the waste ink tank.**

- (1) Prepare a new waste ink tank (SPA-0246).
- (2) Insert the waste ink tank by holding a handle of the tank.



- Waste ink is equivalent to waste oil of industrial waste. Request an industrial waste disposal company for disposal of waste ink.

9**Close the waste ink tank stopper.****10****Press the **ENTER** key.**

- The ink discharging amount that is controlled by the machine is reset and the message is cancelled.